

Data sheet

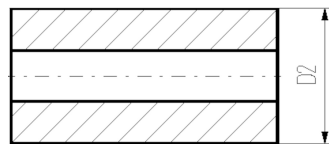
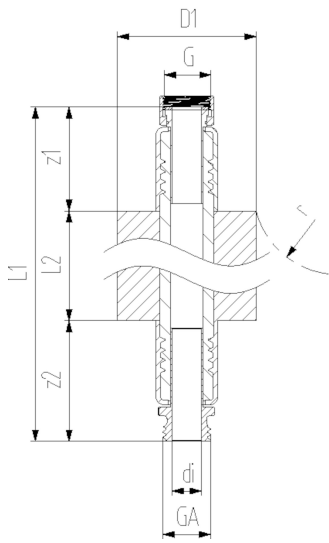
valid from: 10/3/18



COOL-FIT 2.0 Flexible hose, EPDM with stainless steel adaptors and male/female threads G

Model:

- EPDM flexible hose
- Stainless steel adaptors
- Pre-Insulation made from NBR foam with outer jacket impact resistant and tearproof
- With loose union nut G on one end and male thread GA on the other



DN (mm)	G/GA (inch)	PN (bar)	Code	di (mm)	D1 (mm)	D2 (mm)	L1 (mm)	L2 (mm)	z1 (mm)	z2 (mm)	r (mm)	closest inch (inch)
20	3/4"	16	738 924 307	19	75	70	1000	877	57	67	65	3/4
25	1"	16	738 924 308	25	82	76	1000	876	56	68	90	1
32	1 1/4"	16	738 924 309	32	87	83	1000	874	57	69	120	1 1/4
40	1 1/2"	16	738 924 310	48	90	89	1500	1369	57	74	155	1 1/2

The technical data are not binding. They neither constitute expressly warranted characteristics nor guaranteed properties nor a guaranteed durability. They are subject to modification. Our General Terms of Sale apply.

Georg Fischer Piping Systems Ltd, Postfach, CH-8201 Schaffhausen/Switzerland

Phone +41 -(0)52-631 1111

e-mail: info.ps@georgfischer.com

Internet: <http://www.gfps.com>