



# Aluminium/Steel Rivets



## SPECIFICATIONS

<b>Material</b>	Carbon Steel
<b>Head Material</b>	Aluminium

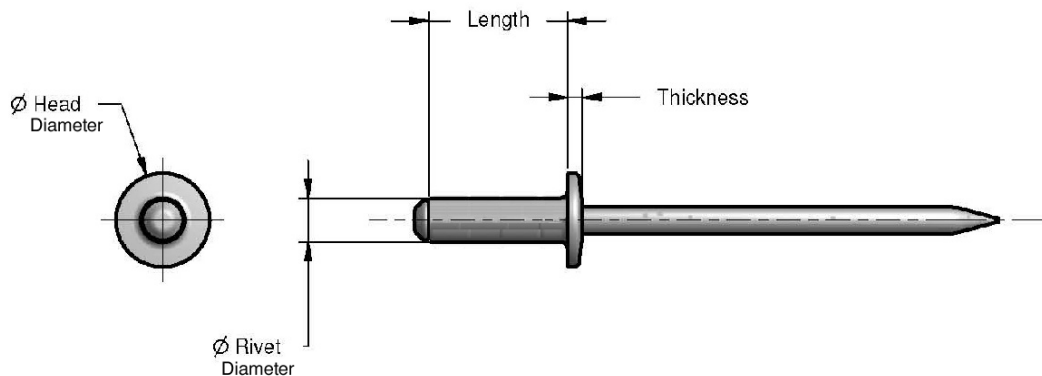
## WARRANTY

Refer to Warranty document



## Dimensions

Product Code	Product Description	Head Diameter mm	Rivet Diameter mm	Length mm	Thickness mm	Hole Diameter mm	Allowable Tensile Load KN	Shear Strength N	Quantity
4913120	4-2 Aluminium/Steel Rivet	6.4	3.2	6	1.2 Max	3.3	0.45	360	100
4913121	4-2 Aluminium/Steel Rivet	6.4	3.2	6	1.2 Max	3.3	0.45	360	500
4913122	4-3 Aluminium/Steel Rivet	6.4	3.2	8	1.2 Max	3.3	0.45	360	100
4913123	4-3 Aluminium/Steel Rivet	6.4	3.2	8	1.2 Max	3.3	0.45	360	500
4913124	4-4 Aluminium/Steel Rivet	6.4	3.2	10	1.2 Max	3.3	0.45	360	100
4913125	4-4 Aluminium/Steel Rivet	6.4	3.2	10	1.2 Max	3.3	0.45	360	500



**Disclaimer:** Products in this specification manual must by regulation be installed by licensed and registered trade people. The manufacturer/distributor reserves the right to vary specifications or delete models from their range without prior notification. Dimensions are nominal measurements only. Dimensions and set-outs listed are correct at time of publication however the manufacturer/distributor takes no responsibility for printing errors.

Tech Page Version 1

**Don't risk it, use a licensed plumber.™**



# Aluminium/Steel Rivets

## INSTALLATION INSTRUCTIONS

1. Drill a hole to the required size to suit the rivet.
2. Insert the rivet mandrel into the rivet tool making sure the correct nose is in the rivet tool.
3. Place the rivet into the drilled hole and squeeze the plier once or twice till the mandrel breaks.
4. Open the plier and turn the rivet tool upside down until the mandrel falls out.

**Disclaimer:** Products in this specification manual must by regulation be installed by licensed and registered trade people. The manufacturer/distributor reserves the right to vary specifications or delete models from their range without prior notification. Dimensions are nominal measurements only. Dimensions and set-outs listed are correct at time of publication however the manufacturer/distributor takes no responsibility for printing errors.

Tech Page Version 1

**Don't risk it, use a licensed plumber.™**

