

# Pure Elemental Progressive Shower Bath Mixer

# SUSSEX

## Product codes:

MPPSBM.01-E

## Install Preparation:

- Prior to installing, calculate the finished wall thickness to ensure enough adjustment is available when fitting the Handle.
- The Mixer is supplied with a plastic cover to protect the Mixer during Plastering and Tiling.
- To aid in Plumbing, 2 Outlet Ports have been provided in the Mixer Body (Shower and Bath), only 1 Outlet Port can be used.
- Apply thread sealant to the supplied Pressure Plug and seal either the Shower or Bath Outlet Port not being used.
- The Hot/Cold Ports are marked on the shoulder of the Mixer body to indicate the correct mounting position.

## Rough in:

- Set a Nogging between 28 - 32mm back from the face of the wall stud. (see Fig. 1).
- Using the screws provided, fix the Mixer to the Nogging.
- Ensure the Mixer is aligned square and well secured.
- Flush all water feed lines. Pipes and fittings must be free from any dirt and debris before connecting to the Mixer.
- Once all water fittings are connected, check Hot/Cold water flow by operating the Mixer.
- Check for any water leaks.
- Once all checks have been made, leave the Mixer in the closed position and replace the protective cover.
- Store remaining parts in a safe place until wall coverings have been completed and final fit-off is required (Dress finishing)-

## Waterproofing:

- Water Proof around the mixer. (see Fig. 1).
- Apply Water Proof wall sheeting around the mixer wall cut out.
- Apply sealant around mixer to seal wall penetration. (Prior to tiling)
- Ensure the sealant does not cover the cartridge locknut or spindle mechanism.

## Plumbers note:

Tapware is to be installed by a Licensed Plumber in accordance with AS/NZS 3500:2021  
Recommended working water pressure 300 - 500 Kpa. Maximum water temperature is 65°C  
After installation, ensure that tapware functions correctly without leaks.  
Please ensure a copy of the Installation Instructions are left with the end user for future reference.

## Rough In/Water Proofing

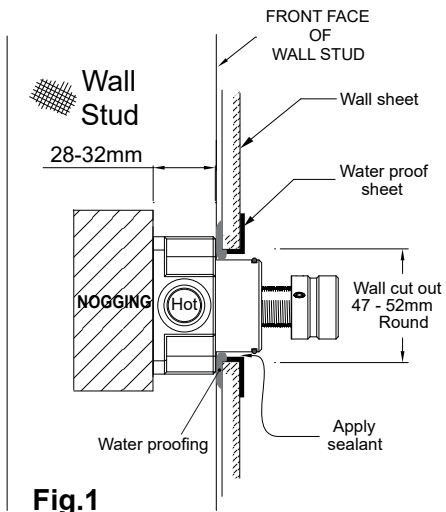


Fig.1

## Wall Finishing

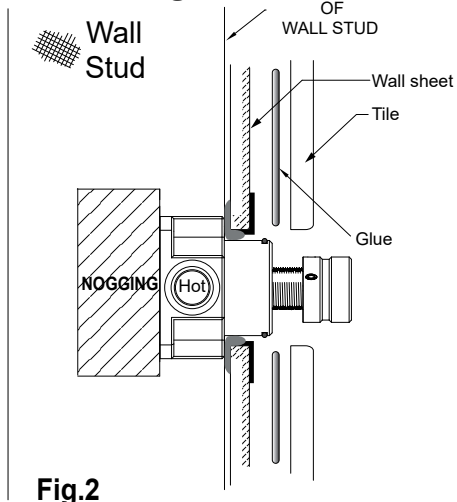
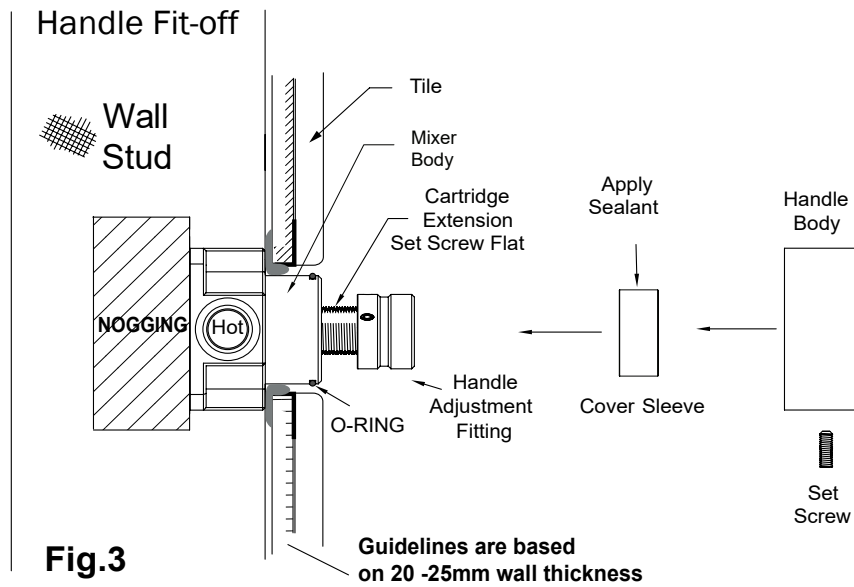


Fig.2





### Fit Off and Handle Adjustment:

- Prior to fit off ensure the correct size cut out around the Mixer has been achieved.(see Fig.1)
- Remove the protective Cover from the Mixer. Ensure the O-ring is intact and the installation is clean and free from any debris.
- Push the Cover Sleeve over the O-ring, leave a minimum of 3-5mm protruding from the finished wall. Apply sealant between the sleeve and wall.
- Fit the Handles onto the Adjustment Fitting.
- If adjustment is required, remove the Handles and loosen the Set Screws of the Adjustment Fitting.
- Wind the Adjustment Fitting to reduce or increase the gap between the Wall and the Handle. (see Fig.4)

NOTE: Extensions may be acquired if correct installation can not be achieved. (Contact manufacturer)

- Once the gap from the Wall to the Handle is between 1-2mm, remove the Handle and tighten the Set Screws of the Adjustment Fitting.
- When securing the Handle adjustment Fitting, ensure the Set Screws are tightened onto the flats of the Cartridge Extension. (see Fig.4)
- Do not tighten the Set Screws on the threads of the Cartridge Extension.
- Fit the Handle so the Set Screw is positioned at the bottom.(tighten well)
- Note the Set screw must engage in the groove of the Adjustment Fitting.

### Handle Adjustment

