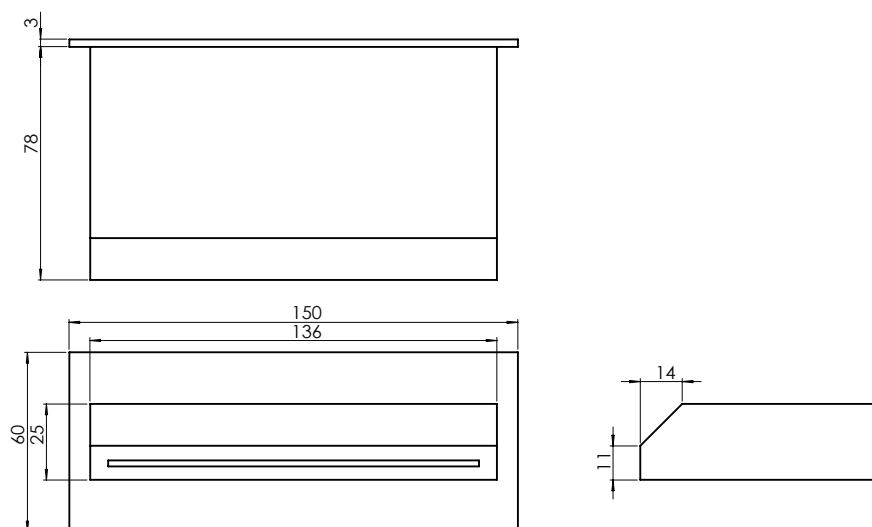


# FLOW

## WALL BATH O/LET ANGLE SLIT BOX



### SPECIFICATIONS

<b>Recommended Use</b>	Domestic, Hotel and Commercial
<b>Finish Available</b>	Chrome
<b>Suitable Hot Water</b>	Storage Tank: Yes Continuous Flow: Refer to manufacturer of continuous hot water systems Gravity Feed: Yes
<b>Standards</b>	AS/NZS 3718



To see the complete FLOW range go to [www.reece.com.au/bathrooms](http://www.reece.com.au/bathrooms)

### CLEANING RECOMMENDATIONS

We recommend the use of soapy water or approved cleaners.

This product should not be cleaned with abrasive materials.

Damage caused by any improper treatment is not covered by the product warranty- Refer to Warranty Conditions.

# FLOW WALL BATH OUTLET ANGLE SLIT BOX

## INSTALLATION INSTRUCTIONS

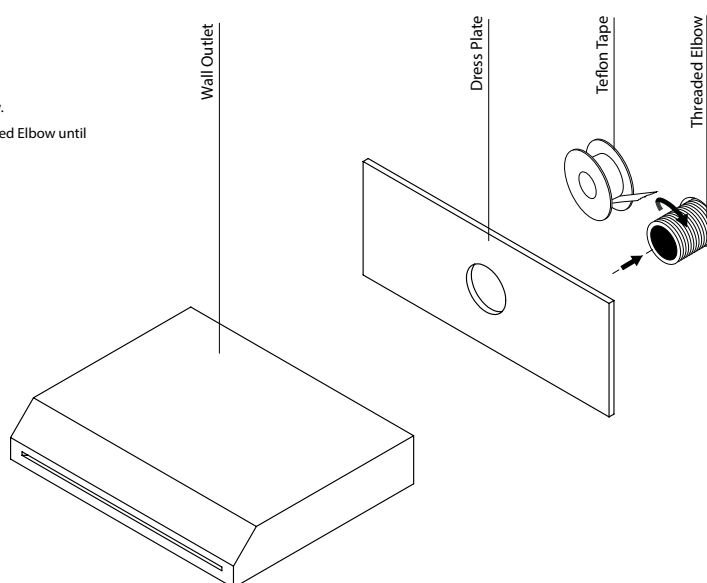
### Important Note


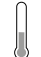
Mixer must be installed to the requirements of AS/NZS 3500 by a qualified plumber. Your mixer comes to you already factory assembled and tested. We do not recommend the dismantling of any internal part of the mixer. The mixers are factory tested and sealed so as to give the best performance.



INSTALLATION INSTRUCTIONS  
FLOW WALL OUTLET  
IN0375 REV A

- Apply Teflon Tape to Threaded Elbow.
- Place Dress Plate over Threaded Elbow.
- Screw the Wall Outlet onto the Threaded Elbow until firmly fastened.



 <p>recommended working pressure <b>150-500 KPa</b></p>  <p>maximum hot water temperature <b>75 degrees</b></p>	<p><b>NOTE:</b></p> <ul style="list-style-type: none"> <li>- If the pressure exceeds or is likely to exceed 550kpa, an approved pressure limiting device must be installed.</li> <li>- Flush out all pipe work prior to installation.</li> <li>- If the water temperature exceeds 75°C, an approved tempering valve must be fitted.</li> <li>- Installation should comply with Australian standard AS3500.1 or relevant local authority requirements.</li> <li>- Showers may not be suitable for use within:             <ul style="list-style-type: none"> <li>- Gravity-fed water systems</li> </ul> </li> </ul>	<ul style="list-style-type: none"> <li>- Pressure supply less than 150kPa:</li> </ul> <p><b>NOTE:</b> The 500kPa maximum water supply pressure does not apply to fire service outlets.</p> <p>Failure to comply with the above may void all warranties.</p> <p><b>WARRANTY:</b> Please refer to the full warranty statement enclosed with the product before installing. Or visit <a href="http://www.phoenixtapware.com.au">www.phoenixtapware.com.au</a> to download a</p>	<p><b>MAINTENANCE AND CARE:</b></p> <ul style="list-style-type: none"> <li>- Products should be cleaned with mild liquid detergent or soap and water.</li> <li>- Do not use cream cleaners or citrus based cleaning products, as they are abrasive.</li> <li>- Use of unsuitable cleaning agents may damage the surface. Any damage caused in this way will not be covered by warranty.</li> </ul>	<p><b>DISCLAIMER:</b> While we aim to ensure the specifications shown are correct at the time of printing, Phoenix Tapware reserves the right to make modifications without prior notice. Always use the physical product measurements for mark-ups and roughing-in as the line drawing shown may differ from the actual product over time.</p> <p>*All measurements are shown in millimeters.</p> <p>(03) 9780 4200 <a href="http://www.phoenixtapware.com.au">www.phoenixtapware.com.au</a></p>
---	--	--	--	---

Plumbers, please ensure a copy of the installation instructions is left with the end user for future reference



PHOENIX

