

# Base.

## Base Acrylic Inset Bath 1650mm with Overflow Chrome

1704235

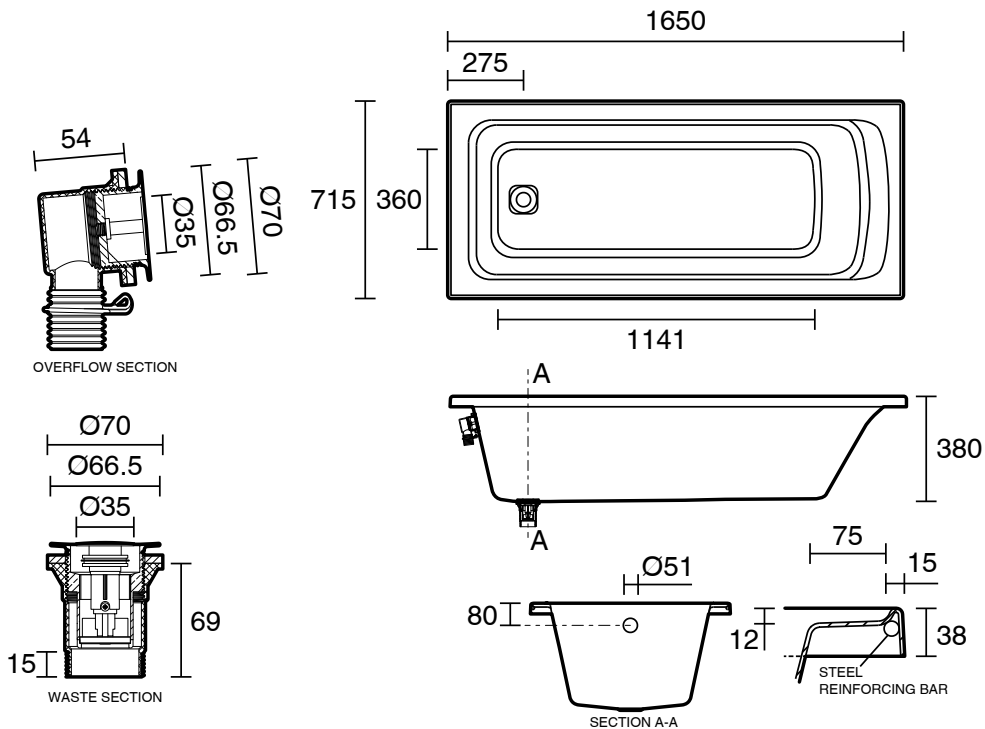
### SPECIFICATIONS

Recommended Use	Domestic, Hotel & Commercial
Material	Sanitary Grade Acrylic
Colour	Chrome
Capacity	156 ltr
Weight	16.6 kg
Overflow Configuration	Overflow
Mounting	Inset
Plug & Waste Size	40mm
Plug & Waste	Included

### WARRANTY

Warranty - Domestic Use	10 Years
Spare Parts & Labour	12 Months

Please refer to Warranty Page for full Terms and Conditions



Dimensions are nominal measurements only.

### CLEANING RECOMMENDATIONS:

We recommend the use of soapy water or approved cleaners. This product should not be cleaned with abrasive materials. Damage caused by any improper treatment is not covered by the product warranty. Refer to Warranty Conditions

**Disclaimer:** Products in this specification manual must by regulation be installed by licensed and registered trade people. The manufacturer/distributor reserves the right to vary specifications or delete models from their range without prior notification. Dimensions are nominal measurements only. Dimensions and set-outs listed are correct at time of publication however the manufacturer/distributor takes no responsibility for printing errors.

Published 11/10/2023

To see the complete Base range go to [www.reece.com.au](http://www.reece.com.au)

