

DURA ARCO BALL VALVE - GAS

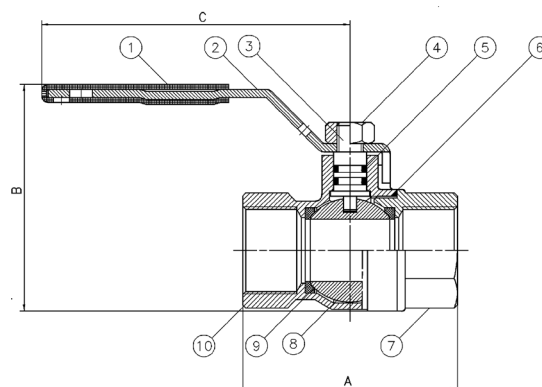
SPECIFICATIONS

Recommended use	The AGA ball valve is intended for use with natural gas, simulated gas, tempered liquefied petroleum gas, liquefied petroleum gas and town gas. Suitable for line assembly in pipeline with the principle aim to open and close flow in distribution systems.
Features	Quarter Turn Operation Real Full Bore Hard Chromed Solid Ball 100% Tested PTFE Seats Both Ends
Working Pressure	2100 kPa
Temperature Range	-20oC to +60oC
Warranty	12 Months
Standards	Internal threaded ends to AS1722.1 Series RC
Approvals	AGA Certification 5587



PHYSICAL SPECIFICATIONS

1 Cover	Polyethylene
2 Handle	Steel
3 Stem	Brass
4 Nut	Steel
5 Seal	NBR
6 Lateral	Brass
7 Body	Brass
8 Body	Brass
9 Seat	PTFE



SPECIFICATIONS

Product Code	Product Description	Size DN	A mm	B mm	C mm
1003479	DURA ARCO BALL VALVE F&F GAS 10MM	10	44	52	70
1003480	DURA ARCO BALL VALVE F&F GAS 15MM	15	60	59	93
1003485	DURA ARCO BALL VALVE F&F GAS 20MM	20	66	68	93
1003490	DURA ARCO BALL VALVE F&F GAS 25MM	25	80	83	112
1003495	DURA ARCO BALL VALVE F&F GAS 32MM	32	89	93	112
1003500	DURA ARCO BALL VALVE F&F GAS 40MM	40	108	105	154
1003505	DURA ARCO BALL VALVE F&F GAS 50MM	50	125	117	154
1003510	DURA ARCO BALL VALVE F&F GAS 65MM	65	150	142	172

Disclaimer: Products in this specification manual must by regulation be installed by licensed and registered trade people. The manufacturer/distributor reserves the right to vary specifications or delete models from their range without prior notification. Dimensions and set-outs listed are correct at time of publication however the manufacturer/distributor takes no responsibility for printing errors.

