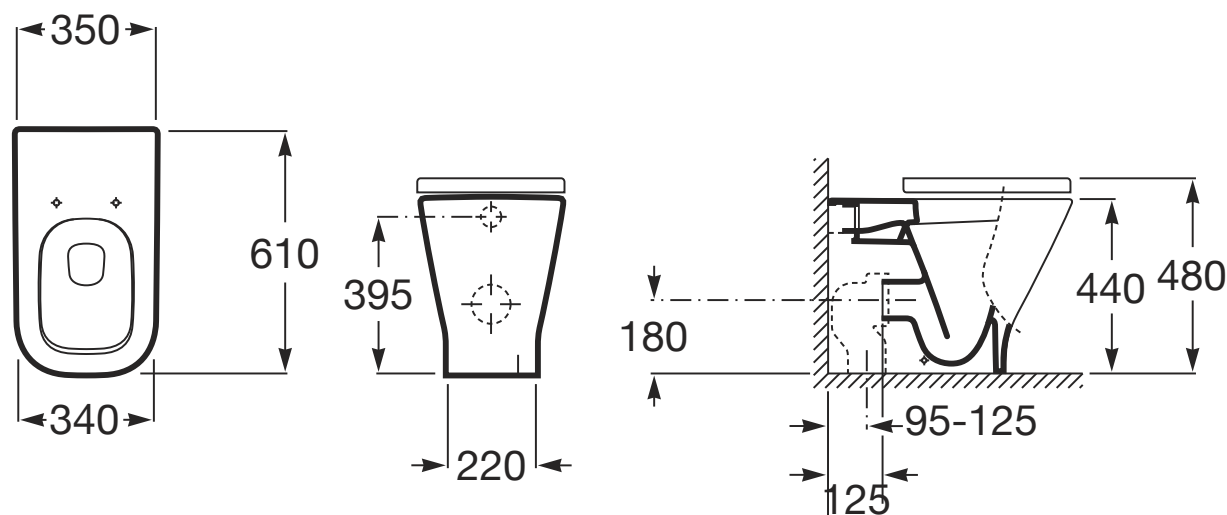


ROCA

THE GAP BACK TO WALL COMFORT HEIGHT PAN



Dimensions are nominal measurements only

SPECIFICATION

Recommended Use	Domestic, hotel and commercial
Rim Configuration	Box Rim
Bowl Configuration	P Trap (Converts to S using plastic S-bend provided)
Pan Fixing	Screwed to the floor using brackets (supplied) and bedded with sealant
Seat	Matching top-fix, soft-close seat supplied with suite
Weight	Pan 33kg
WELS	4 Star WELS Rating 4.5/3 litres dual flush 3.5 litres average flush
Standards	AS1172



To see the complete Roca range go to www.reece.com.au/bathrooms

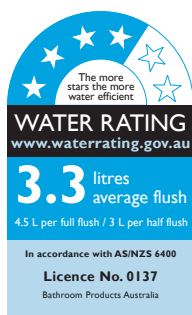
CLEANING RECOMMENDATIONS

We recommend the use of soapy water or approved cleaners.

This product should not be cleaned with abrasive materials.

Damage caused by any improper treatment is not covered by the product warranty.

Refer to Warranty Page for full Terms and Conditions.



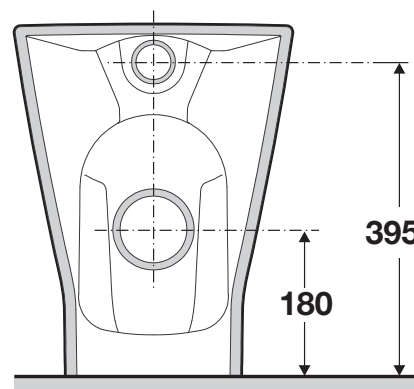
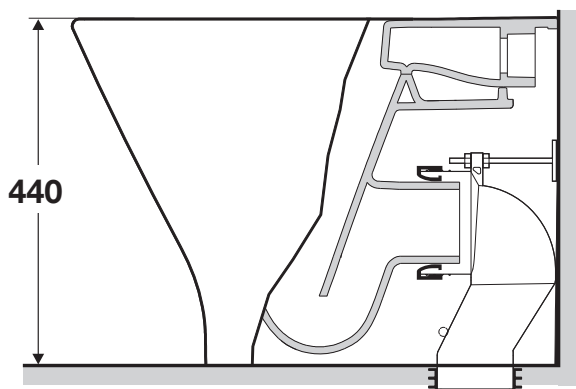
Disclaimer: Products in this specification manual must by regulation be installed by licensed and registered trade people. The manufacturer/distributor reserves the right to vary specifications or delete models from their range without prior notification. Dimensions and set-outs listed are correct at time of publication however the manufacturer/distributor takes no responsibility for printing errors.

Tech Page Version 1



ROCA THE GAP BACK TO WALL COMFORT HEIGHT PAN

INSTALLATION INSTRUCTIONS



S-TRAP

AV0007000R

RANGE	X (mm)
The GAP	95 (min) 125 (max)

P-TRAP

RANGE	Y (mm)
The GAP	125

ROCA THE GAP BACK TO WALL COMFORT HEIGHT PAN

INSTALLATION INSTRUCTIONS

