

## Laufen Ino Wall Basin with Shelf Right Hand Bowl with Overflow 1 Taphole 900mm White

**SPECIFICATIONS**

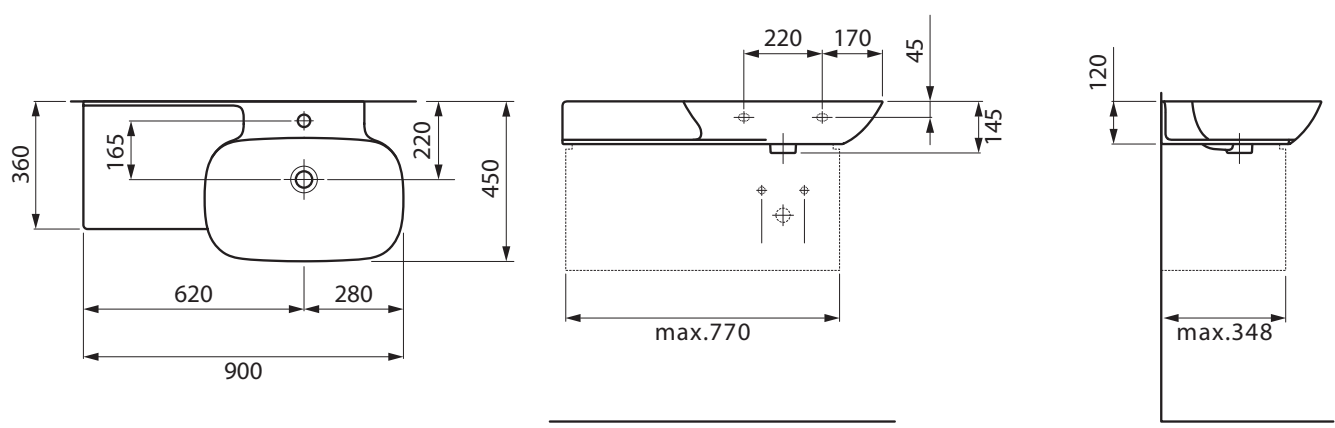
|                        |   |
|------------------------|---|
| Recommended Use        | Domestic, Hotel & Commercial  |
| Material               | Saphirkeramic   |
| Colour                 | White   |
| Bowl Capacity          | 6.0 Litres  |
| Weight                 | 14.5kg  |
| Fixing                 | Fixing Bolts (not included)<br>Waterproof Flexible Sealant (not included) |
| Taphole Configuration  | 1 Centre Taphole  |
| Overflow Configuration | Overflow  |
| Waste Size             | Suits 32x40mm Overflow Waste  |
| Plug & Waste           | Sold Separately   |
| Tapware                | Sold Separately   |



**WARRANTY**

|                         |           |
|-------------------------|-----------|
| Warranty - Domestic Use | 15 Years  |
| Spare Parts & Labour    | 12 Months |

*Please refer to Warranty Page for full Terms and Conditions*



Dimensions are nominal measurements only.

**Disclaimer:** Products in this specification manual must by regulation be installed by licensed and registered trade people. The manufacturer/distributor reserves the right to vary specifications or delete models from their range without prior notification. Dimensions are nominal measurements only. Dimensions and set-outs listed are correct at time of publication however the manufacturer/distributor takes no responsibility for printing errors.

Published 16/01/2018

To see the complete Laufen range go to [www.reece.com.au/bathrooms](http://www.reece.com.au/bathrooms)

