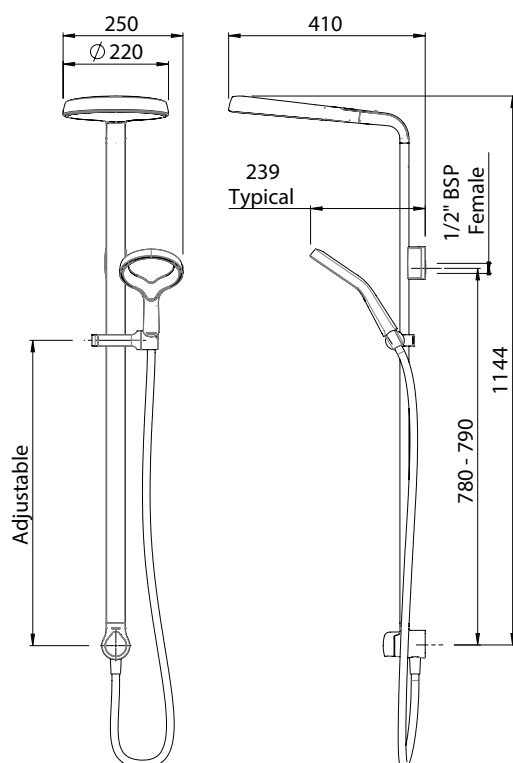


METHVEN

AIO AURAJET TWIN SHOWER



SPECIFICATIONS

Recommended Use	Domestic, hotel and commercial
Colour	Chrome, and Chrome with white face
Pressure Rating	Suitable for high pressure applications and has been WELS certified to the following: Minimum operating pressure 100kPa Maximum operating pressure 500kPa
Temperature Rating	Maximum continuous working temperature 70°C (recommended 38°C - 42°C) Minimum 5°C
Suitable Hot Water Units	Storage Tank: Yes Continuous Flow: Yes Gravity Feed: Not recommended
Spray Patterns	Aurajet Spray
Diverter Position	Bottom of rail
Water Inlet	Top of rail



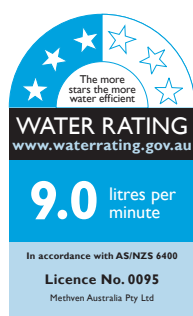
AOSSCPWHAU
2299918

AOSSCPAU
2299917

To see the complete AIO range go to
www.reece.com.au/bathrooms

CLEANING RECOMMENDATIONS

We recommend the use of soapy water or approved cleaners. This product should not be cleaned with abrasive materials. Damage caused by improper treatment is not covered by the product warranty – refer to warranty conditions on the last page.



Disclaimer: Products in this specification manual must by regulation be installed by licensed and registered trade people. The manufacturer/distributor reserves the right to vary specifications or delete models from their range without prior notification. Dimensions are nominal measurements only. Dimensions and set-outs listed are correct at time of publication however the manufacturer/distributor takes no responsibility for printing errors.

METHVEN

reece

Tech Page Version 1

METHVEN

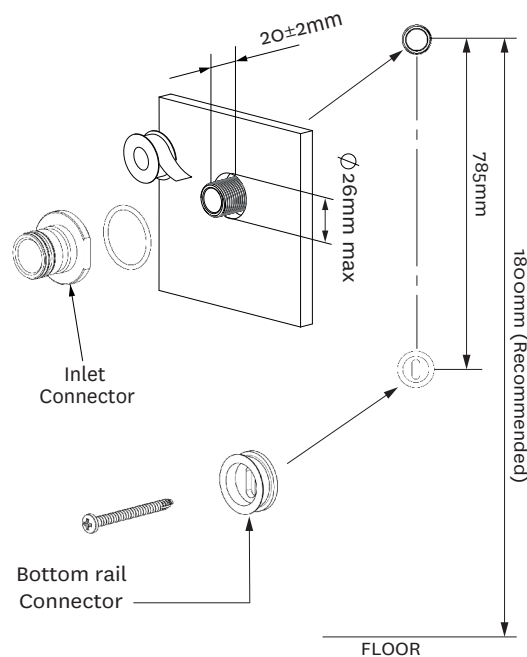
AIO AURAJET TWIN SHOWER

IMPORTANT: Please read all of the instructions and turn off water supply before installation.

INSTALLATION INSTRUCTIONS

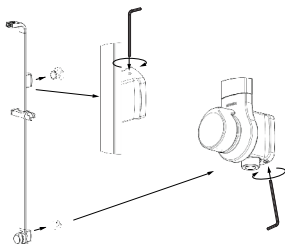
Step 1

- Install a 1/2" male nipple at the recommended height of 1800mm from the ground.
- Wall lining hole should be cut or finished as per the dimension shown in the diagram on the right.
- Cut off the threaded nipple 20±2mm from the wall lining and apply thread seal tape to ensure a good seal.
- Screw the inlet connector onto the nipple ensuring that the o-ring is sufficiently compressed to create a watertight seal.
- Screw the bottom rail connector to a wall stud vertically in line with the inlet connector and at the correct distance.



Step 2

- Firmly push the shower rail onto the top inlet connector and bottom rail connector.
- Secure in place by tightening the grub screws firmly using the hex key provided.



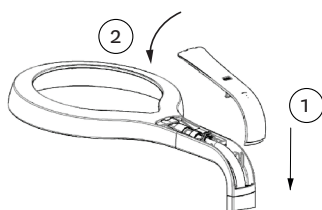
Step 3

- Fit overhead shower into elbow bracket and push firmly until the clips engage



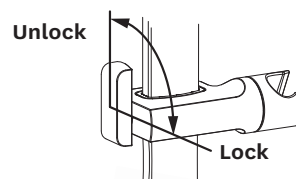
Step 4

- Fit the elbow cover into the back of the elbow bracket.
- Clip into the elbow bracket and overhead shower.



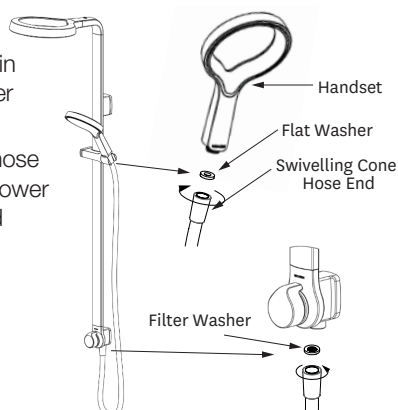
Step 5

- To adjust slider position, rotate the slider handle to unlock and lock the slider as shown.



Step 6

- Make sure a washer is in both ends of the shower hose.
- Screw one end of the hose to the bottom of the shower rail, attach handset and place firmly in holder.



Plumbers, please ensure a copy of the installation instructions is left with the end user for future reference

METHVEN

reece

METHVEN

AIO AURAJET TWIN SHOWER

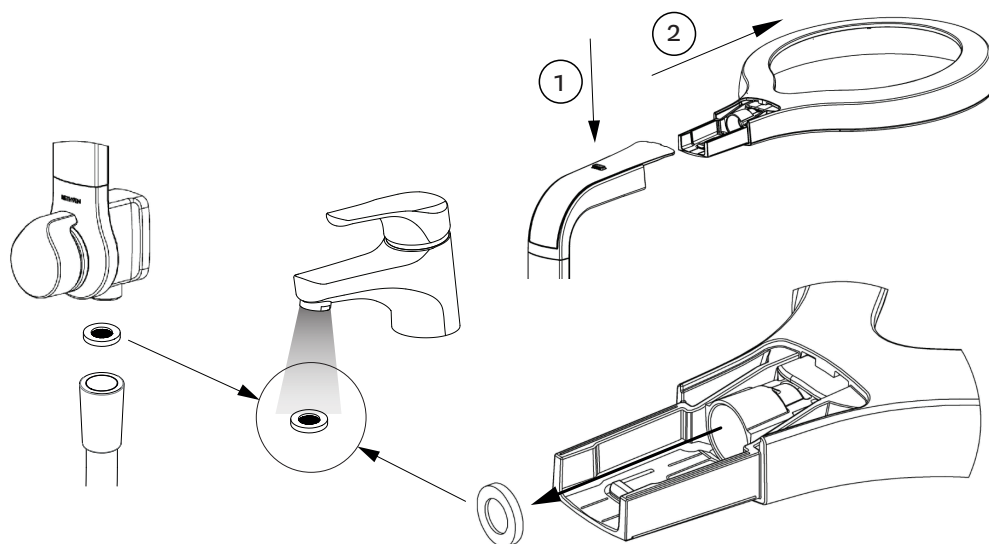
Care and Cleaning

Run hot water through shower for 2 minutes before first use.

Never use abrasives or abrasive cleaning agents to clean this product. Clean regularly with contamination free warm soapy water and a damp soft cloth.

Clean filter washer located in the shower hose and in the overhead shower periodically. To access filter washer in overhead shower push down on release button, hold the elbow bracket and pull shower head away from it.

Remove filter washer from the shower head waterway by gently levering out with a small screw driver.



METHVEN

AIO AURAJET TWIN SHOWER



REECE PRODUCT QUALITY GUARANTEE

You have purchased a quality product from Reece Pty Ltd ABN 84 004 097 090 ("Reece"). This product is covered by a Lifetime replacement product warranty, including spare parts, and a 12 month warranty covering labour.

LIFETIME YEAR WARRANTY – DOMESTIC USE

This warranty covers faults in the product construction, material and assembly. Products which are, found upon inspection by an authorised Reece representative, to be defective in construction, material or assembly, will be repaired or exchanged with an equivalent product free of charge. Replaced items become Reece's property.

All replacement products will be available for collection without charge to the customer at the nearest Reece branch to the customer's location, or elsewhere as agreed between the customer and Reece.

Labour and Spare Parts

The labour for the replacement of products and spare parts to which this warranty applies will be supplied by Reece or relevant supplier using licensed plumbers engaged by Reece or relevant supplier within 1 year from the date of purchase.

Spare parts found upon inspection by an authorised Reece representative to be defective in construction, material or assembly, will be replaced free of charge for the life of the product.

Warranty Conditions

This warranty will apply only under all of the following conditions:

- The item has been installed by a licensed plumber
- The item has been installed for and subjected to domestic residential use only
- Failure is due to a fault in the manufacture of the product
- Proof of purchase (including the date of purchase) is provided
- The installation of the product is in accordance with the instructions provided

This warranty does not cover products purchased as an ex-display without being fully checked and tested for sale by the manufacturer.

This warranty does not include faults caused by:

- Unsuitable or improper use
- Incorrect installation or installation not in accordance with the instructions provided
- Installation or part installation by the purchaser or any person other than a LICENSED PLUMBER
- Normal wear and tear

- Inadequate or complete lack of maintenance
- Chemical, electrochemical or electrical influences
- Harsh detergents or abrasive cleaners used on product finishes

1 YEAR WARRANTY – COMMERCIAL USE

'Commercial' use is all use other than for normal domestic residential purposes, including use in non-business places as in public buildings, schools, sports centres and in establishments that contain private bathrooms with high frequency of use by many individuals, such as hotels, motels, retirement villages and hospitals.

The Commercial warranty covers this product against manufacturing faults in the construction, material and assembly of both the finished products and any spare parts for a period of 1 year from the date of purchase. Products and spare parts which are found upon inspection by an authorised Reece representative to be defective in construction, material or assembly will be repaired or exchanged free of charge. Replaced items become Reece's property. The labour for the replacement of products and spare parts to which this warranty applies will be supplied by Reece or relevant supplier using licensed plumbers engaged by Reece or relevant supplier. The Warranty Conditions and exclusions which apply to the domestic use warranty also apply to this commercial warranty.

EXCLUSIONS

To the fullest extent permitted by law, Reece excludes all liability for damage or injury to any person, damage to any property, and any indirect consequential or other loss or damage.

CLAIM PROCEDURE

For all warranty queries customers are to contact the branch where the product was purchased. These details can be found on your purchase invoice.

Our goods come with guarantees that cannot be excluded under the Australian Consumer Law. You are entitled to a replacement or refund for a major failure and for compensation for any other reasonably foreseeable loss or damage. You are also entitled to have the goods repaired or replaced if the goods fail to be of acceptable quality and the failure does not amount to a major failure.