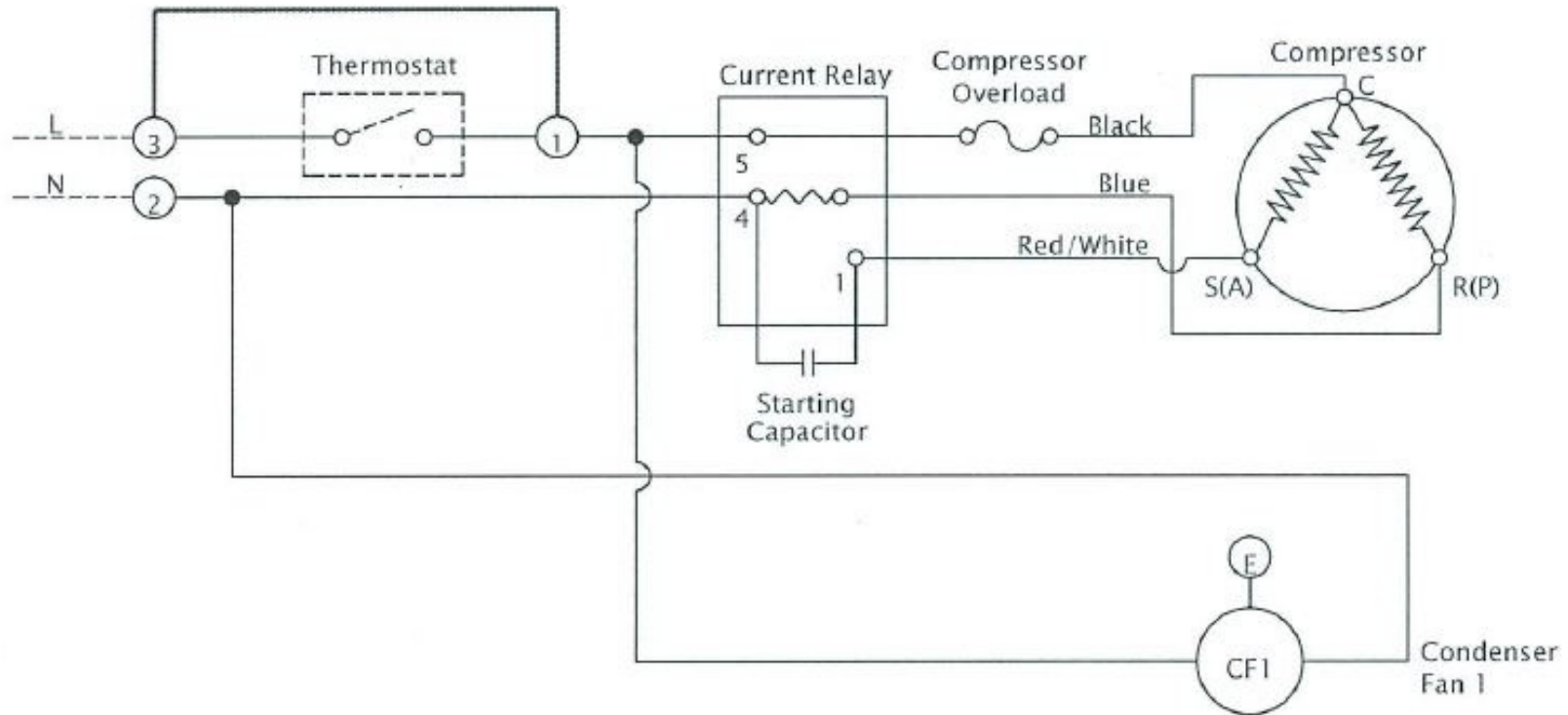


## MODEL CAJ & AE2 (CSIR)



- - Terminal Number
- - Suggested Field Wiring
- - Jumper

Note :

Remove jumper from terminals 1-3 if thermostat wired to junction box.