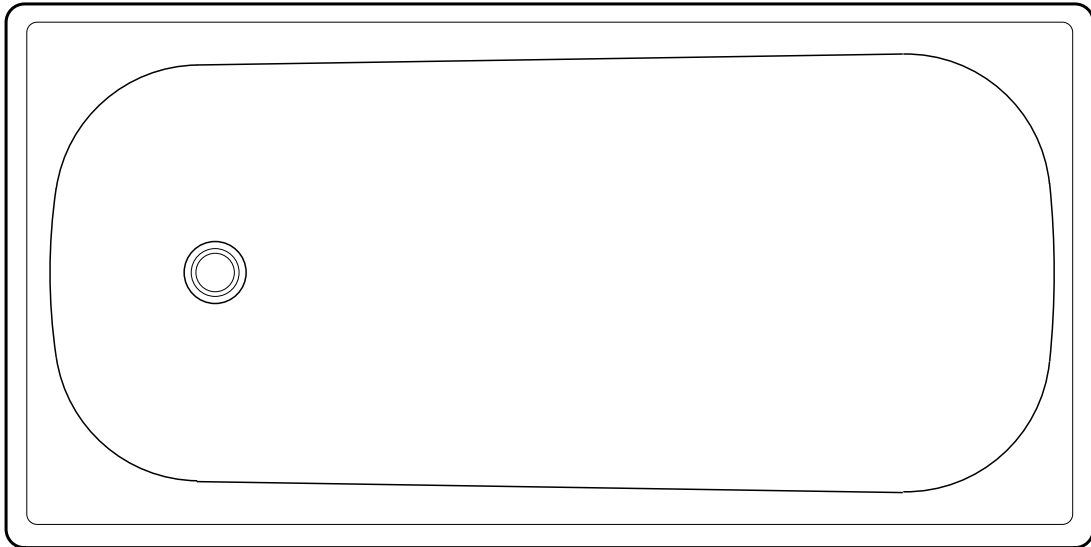


## Posh Bristol Enamelled Pressed Steel Inset Bath



### Installation

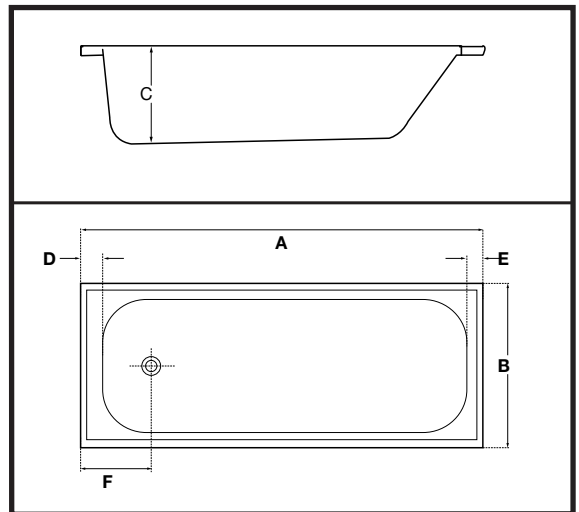
**Important**

Please check surface thoroughly before installing. Installation of the bath will be taken as acceptance of the product. Also, it is important to install the product in accordance with this installation instruction.

- Install waste pipe in accordance with the diagram. Check waste pipe to ensure alignment with bath waste.

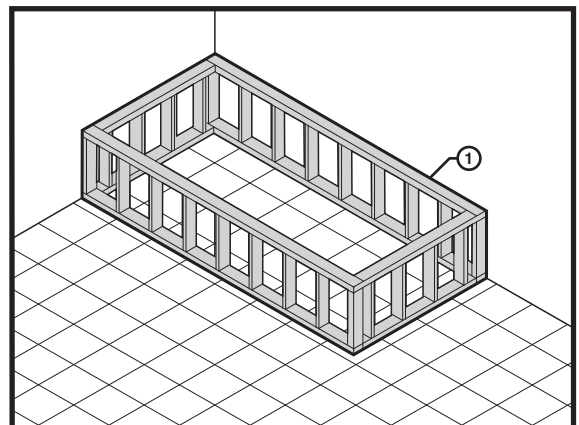
**Note:** It may be necessary to use a flexible coupling or length of unrestrained waste pipe to absorb strain on the bath due to misaligned waste setup.

A	1200	1500	1600	1700	1500	1700
B	700	700	700	700	750	750
C	360	390	390	390	390	390
D	60	80	75	95	60	95
E	80	60	85	90	55	65
F	290	290	290	290	290	330

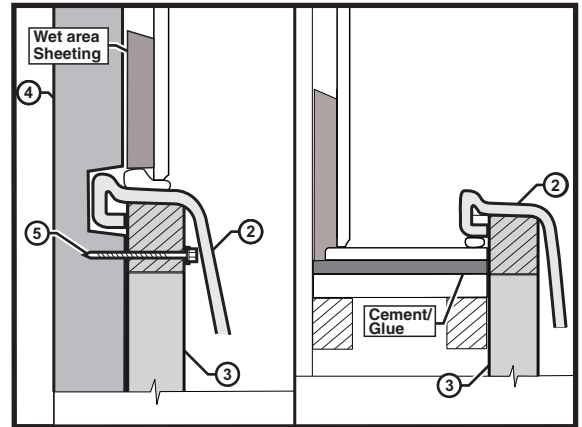


- This bath is not self supporting and does require a support at the base via Masonry, Steel or Timber (1).

**Note:** If the bath is to be checked into the wall then a batten should be securely bolted to the wall to provide support.

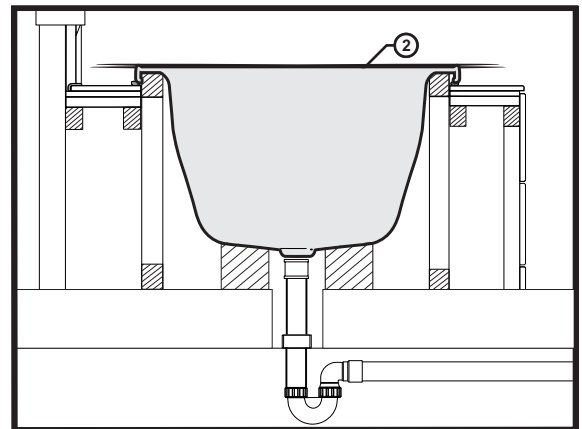


- Ensure full rim of Bath (2) rests on support wall constructed from Wood, Masonry or Steel (3).
- If Bath (2) is to be checked into the Wall (4) then a batten should be securely Bolted (5) to the Wall (4) to provide support.

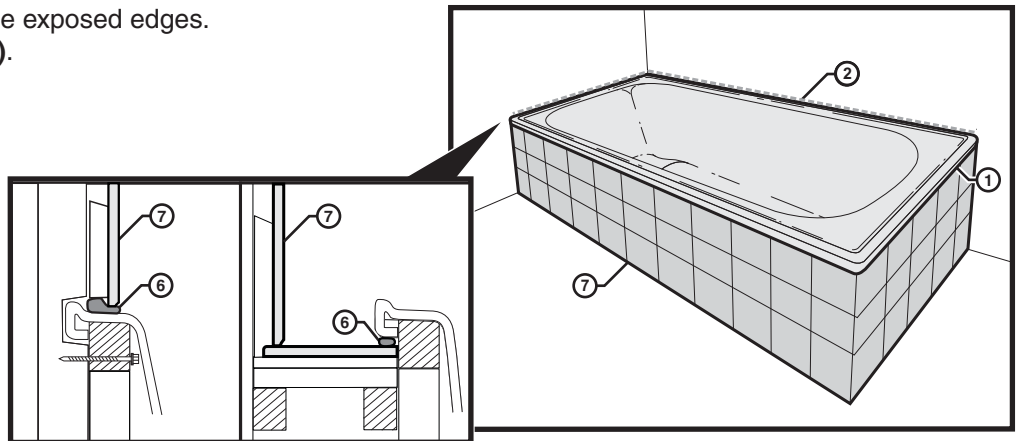


- Place Bath (2) in position and connect waste. Fill Bath and then release.

**Note: Check seals for leaks and that the bath drains successfully.**



- Apply Flexible Sealant (6) to the exposed edges.
- Enclose and Tile (7) in Bath (2).



## Care Details

We recommend the use of soapy water or approved cleaners. This product should not be cleaned with abrasive materials. Damage caused by any improper treatment is not covered by the product warranty - refer to Warranty Conditions.

**Plumbers, please ensure a copy of the installation instruction is left with the end user for future reference.**

