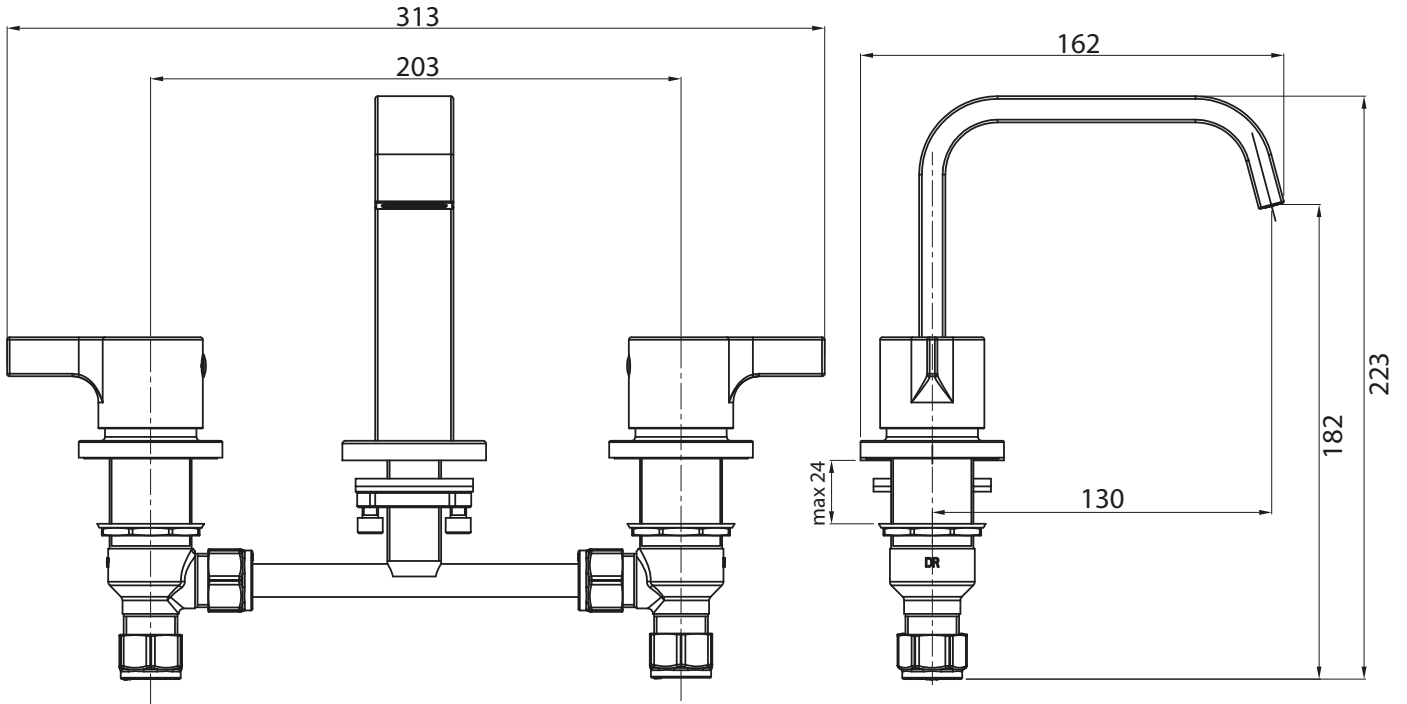


m i z u

STREAM BASIN SET MATTE BLACK



Dimensions are nominal measurements only.

SPECIFICATIONS

Recommended Use	Domestic, Hotel & Commercial	
Colour	Chrome, Matte Black or Brushed Nickel	
Pressure Rating	Maximum continuous operating pressure 1000kPa.	
	For best performance and longer life we recommend 150-500kPa.	
	Hot and cold water inlet pressure should be equal.	
Temperature Rating	Maximum Continuous Working Temperature	65°C
Suitable Hot Water Units	Storage Tank	Yes
	Continuous Flow	Yes
	Gravity Feed	Yes
Cartridge Type	Ceramic Disc	



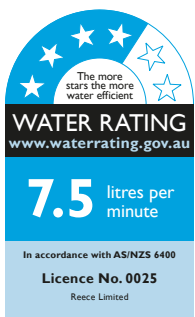
To see the complete MIZU range go to www.reece.com.au/bathrooms

CLEANING RECOMMENDATIONS

We recommend the use of soapy water or approved cleaners.

This product should not be cleaned with abrasive materials.

Damage caused by any improper treatment is not covered by the product warranty. Refer to Warranty Conditions.



Disclaimer: Products in this specification manual must be installed by licensed and registered trade people. The manufacturer/distributor reserves the right to vary specifications or delete models from their range without prior notification. Dimensions are nominal measurements only. Dimensions and set-outs listed are correct at time of publication however the manufacturer/distributor takes no responsibility for printing errors.

Tech Page Version 1



STREAM BASIN SET MATTE BLACK

INSTALLATION INSTRUCTIONS

Note

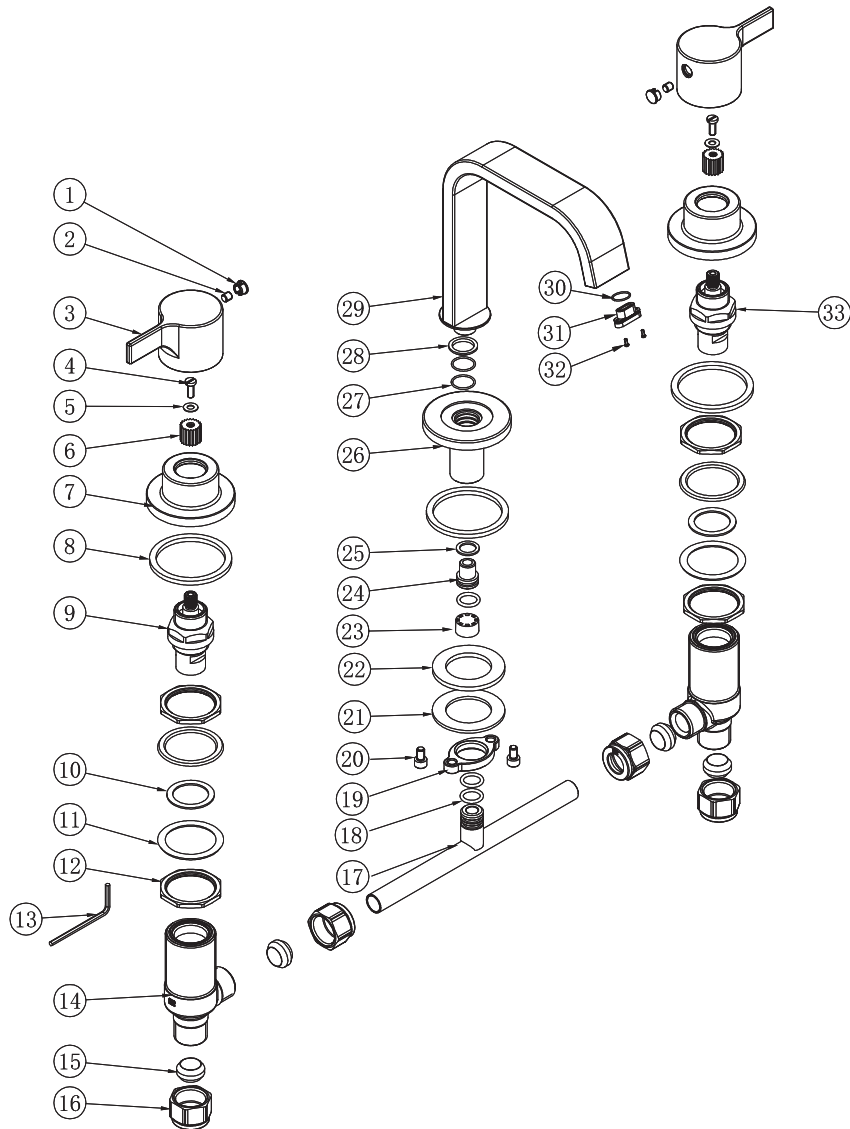
Ensure water lines are flushed free of impurities.

Installation Procedure

1. Attach stop bodies to tee-piece. Fully tighten connections, but do not overtighten
2. Insert stop bodies through basin holes ensuring that housing thread extends above basin level
3. Adjust and fix stop bodies into position using locking nuts
4. Separate cartridge locknut and fibre washer from cartridge
5. Grip the cartridge on the hexagonal flats and install cartridge fully into stop body until it comes to a firm stop. Do not tighten cartridge into position by rotating spindle
6. Turn spindle to off position and turn on water at mains. Check that cartridge has fully seated. If dripping occurs then gently tighten cartridge further until dripping stops
7. Firmly tighten cartridge fibre washer and cartridge locknut into position
8. Place o-ring into base of cartridge bonnet and secure down onto cartridge by tightening bonnet by hand
9. Turn cartridge to fully OFF position
10. Assemble handle onto cartridge and secure in place by fixing with grub screw
11. Place locknut, steel and rubber washer onto outlet spigot of tee piece
12. Ensure rubber washer is inserted in underside of spout base flange
13. Push outlet through basin top and over o-rings of tee piece
14. From underneath, fix outlet into position by tightening locknut onto outlet thread

STREAM BASIN SET MATTE BLACK

COMPONENT LISTING



No.	Description
1	Decorative Cover
2	Grub Screw
3	Handle
4	Screw
5	Washer
6	Spline
7	Flange
8	Washer
9	Cartridge (HOT)
10	Washer
11	Washer

No.	Description
12	Lock Nut
13	Allen Key
14	Stop Body
15	Olive
16	Nut
17	Copper Tee
18	O-Ring
19	Nut
20	Screw
21	Washer
22	Washer

No.	Description
23	Flow Controller
24	Connector
25	O-Ring
26	Dress Ring
27	O-Ring
28	U Ring
29	Spout
30	Aerator Complete
31	
32	
33	Cartridge (COLD)