

Alape Circa Freestanding Basin 400mm White

INSTALLATION INSTRUCTIONS

1. Installation to floor and trap connection

Sit free standing floor bracket (3) on floor

Fit Adaptor (7) into floor bracket (3). Assemble to bracket and fit chrome trap adaptor (6a) with rubber seal (6b)

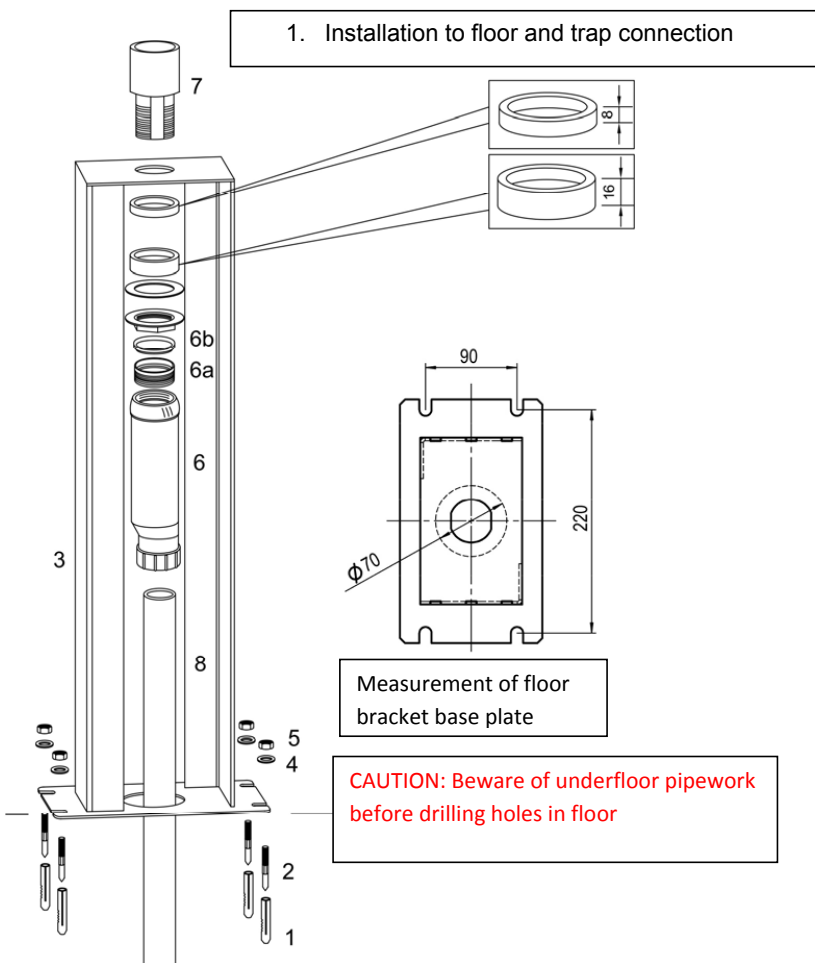
Fit 40mm waterless trap (6) to chrome trap adaptor (6a) with 'flow' arrow on trap body pointing down.

Measure and cut 40mm PVC DWV drain pipe above finished floor to fit trap

Position free standing floor bracket (3) over 40mm PVC DWV and connect trap to pipe

Mark out and drill 4 location holes for base slots to suit floor mount fixtures (1) (2)

Secure free standing floor bracket (3) using nuts (5) and washers (4) to floor



Plumbers, please ensure a copy of the installation instructions is left with the end user for future reference.

Alape[™]

Alape Circa Freestanding Basin 400mm White

2. Installation of basin and connection

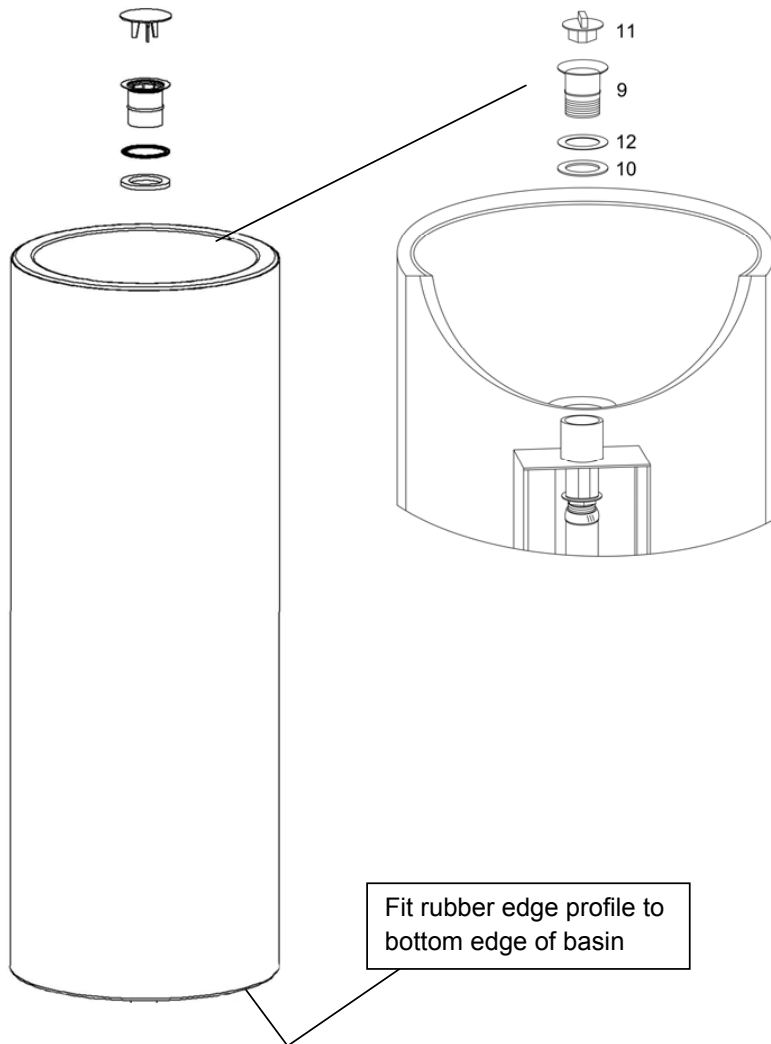
Fit profiled rubber edge seal all around bottom lip of basin. Cut to length if required

Carefully lift basin up and over free standing floor bracket using adaptor on frame top as a guide

Mount waste (9), sealing washer (10) and seal (12). Tighten waste into basin from top using installation tool (11)

NOTE: only free standing tapware can be used for this free-standing basin

2. Installation of basin and connection



CLEANING RECOMMENDATIONS

We recommend the use of soapy water or approved cleaners.

This product should not be cleaned with abrasive materials.

Damage caused by any improper treatment is not covered by the product warranty. Refer to Warranty Conditions.