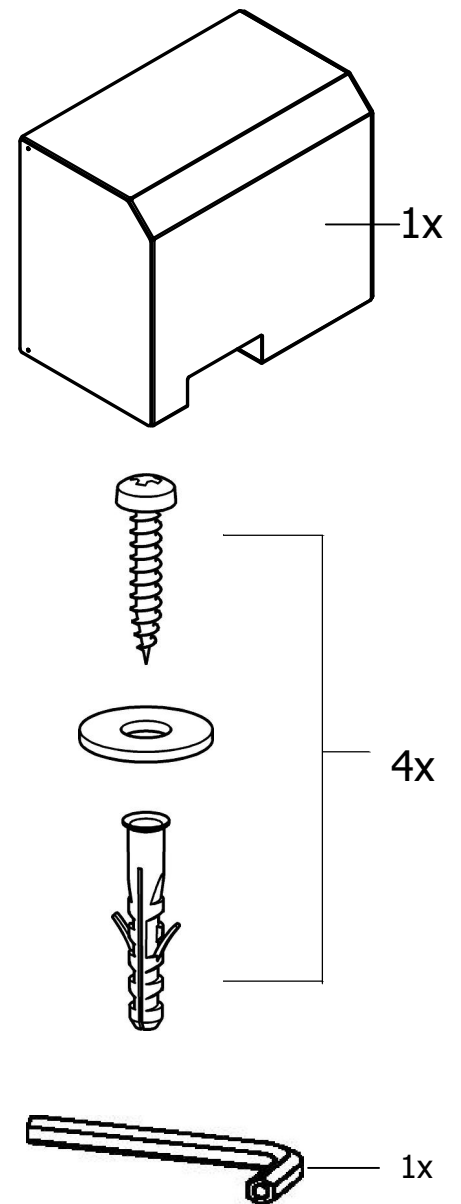
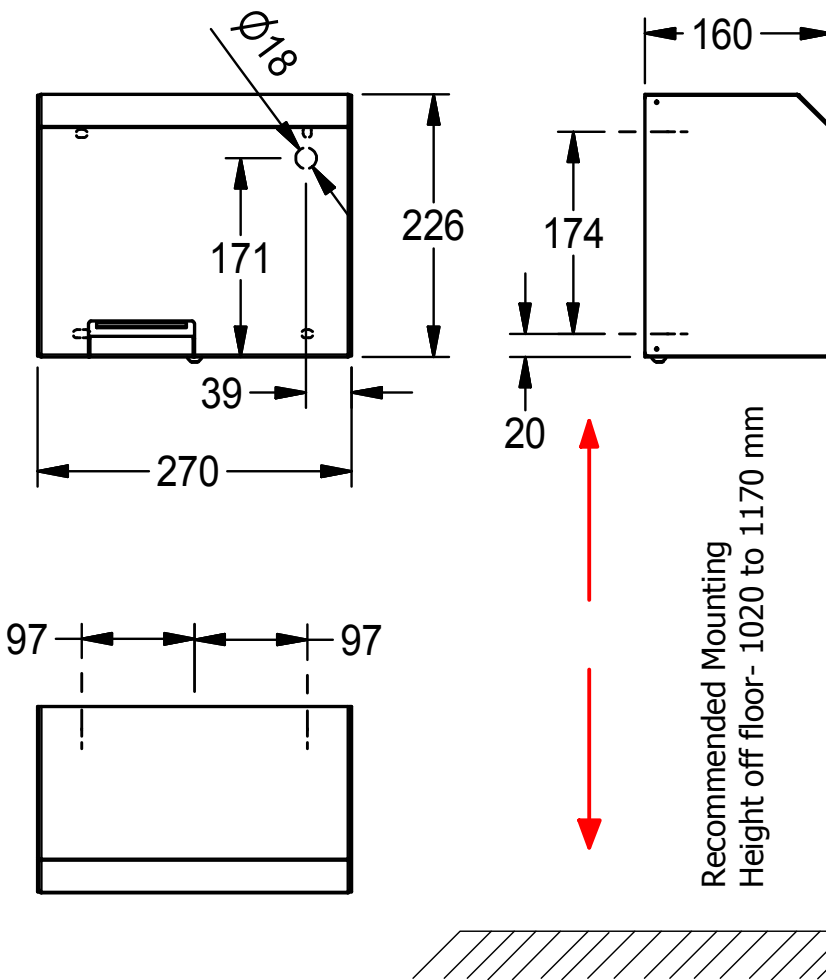
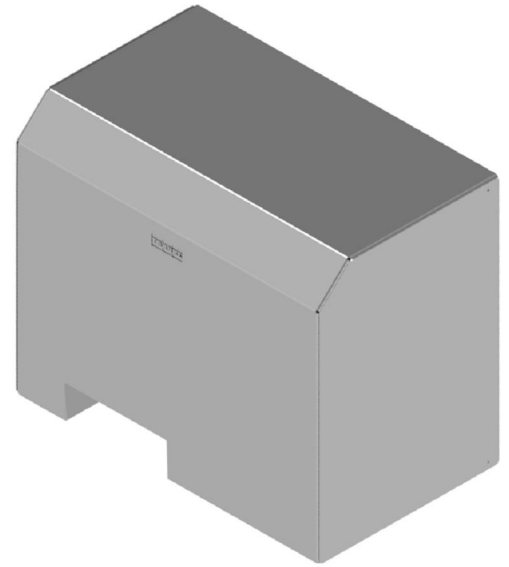


Installation and Operating Instructions

FRK209013-Hand Dryer

2030058660

270 x 226 x 160



MATERIALS:

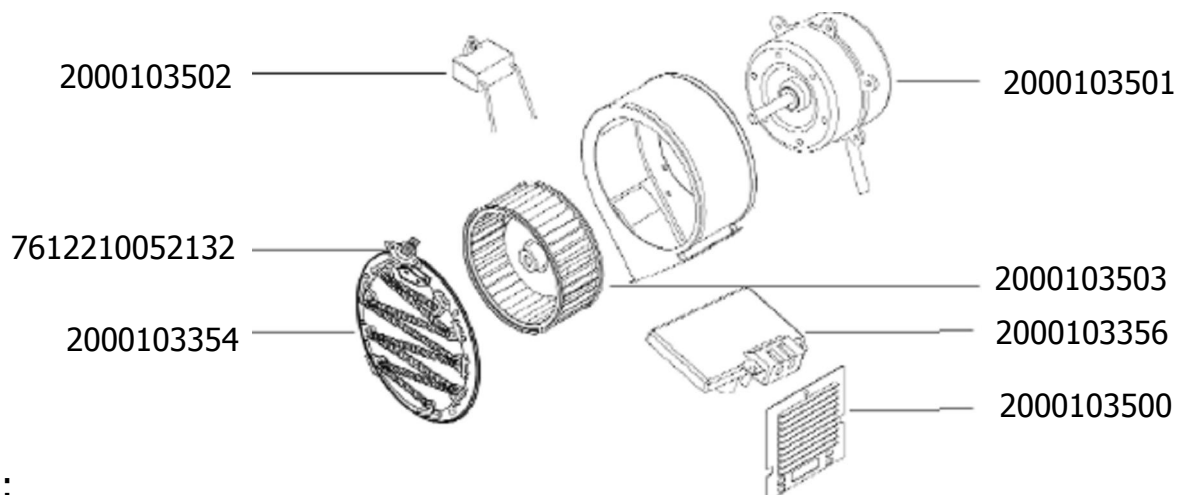
1. SS304 Grade Stainless steel; all the surfaces have satin-finish.

INSTALLATION GUIDELINES:

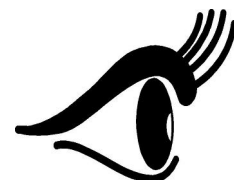
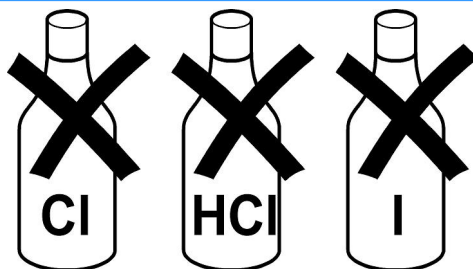
1. To open the outer frame, use allen key provided to remove two bottom screws and carefully remove top hanging as well.
2. Place the technical Unit on the wall and mark the exact point and the mounting hole distance.
3. Drill mounting holes on the wall using the reference marked dots .
4. Fix the plastic dowel in to the hole and make sure they are flushed with the wall.
5. Now place the unit on the wall and install the screws into the mounting holes.
6. After finishing if the unit is loose, make sure the screws are all the way in and the screw heads are the only visible parts.
7. Finally close outer frame.

REPLACEMENT PARTS:

1. M6x25 TX30-Pin button HD screw- 2000103496
2. SBF22 4mm allen key- 2000102694



NOTE:



www.franke.com/ae/en/ws

Franke L.L.C
P.O. Box 14511
Ras Al Khaimah / United Arab Emirates
t: +971 (0)7 2034 700
e: ws-info.ae@franke.com

FRANKE