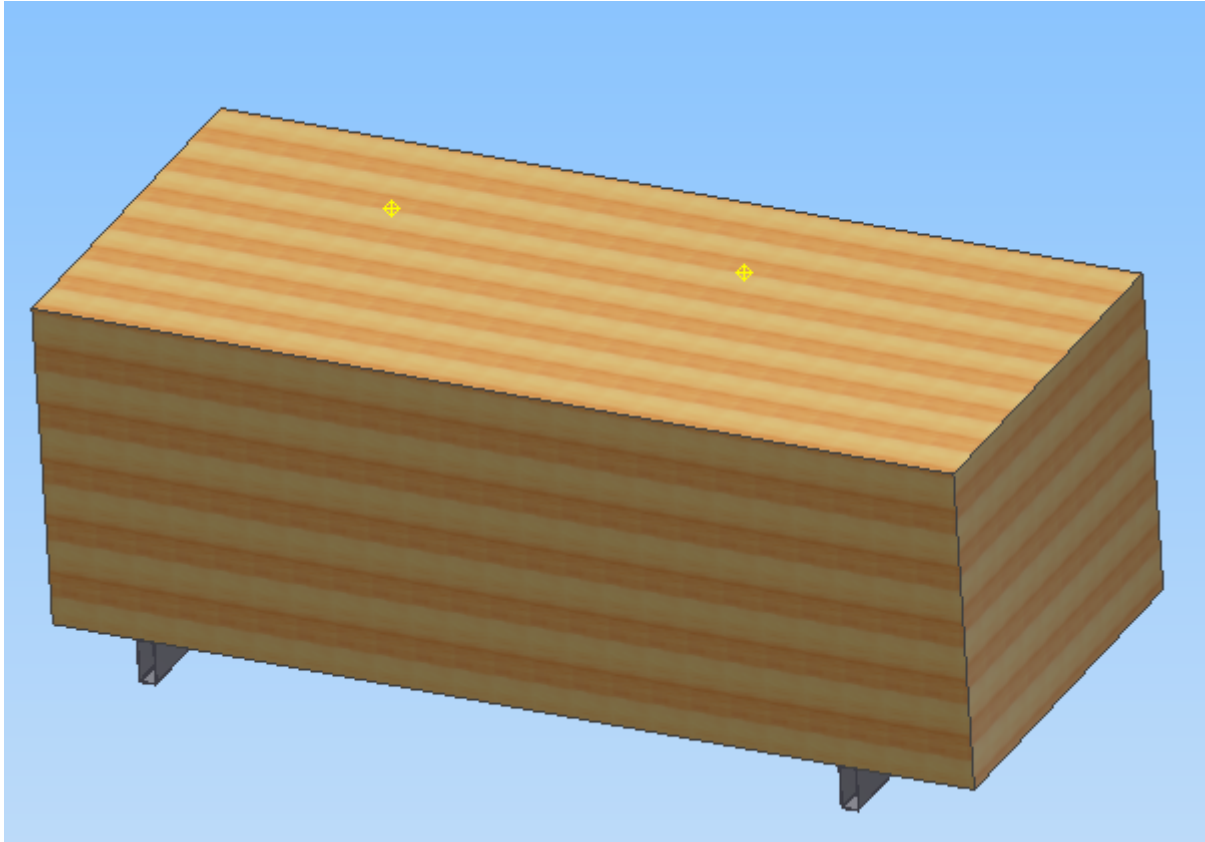
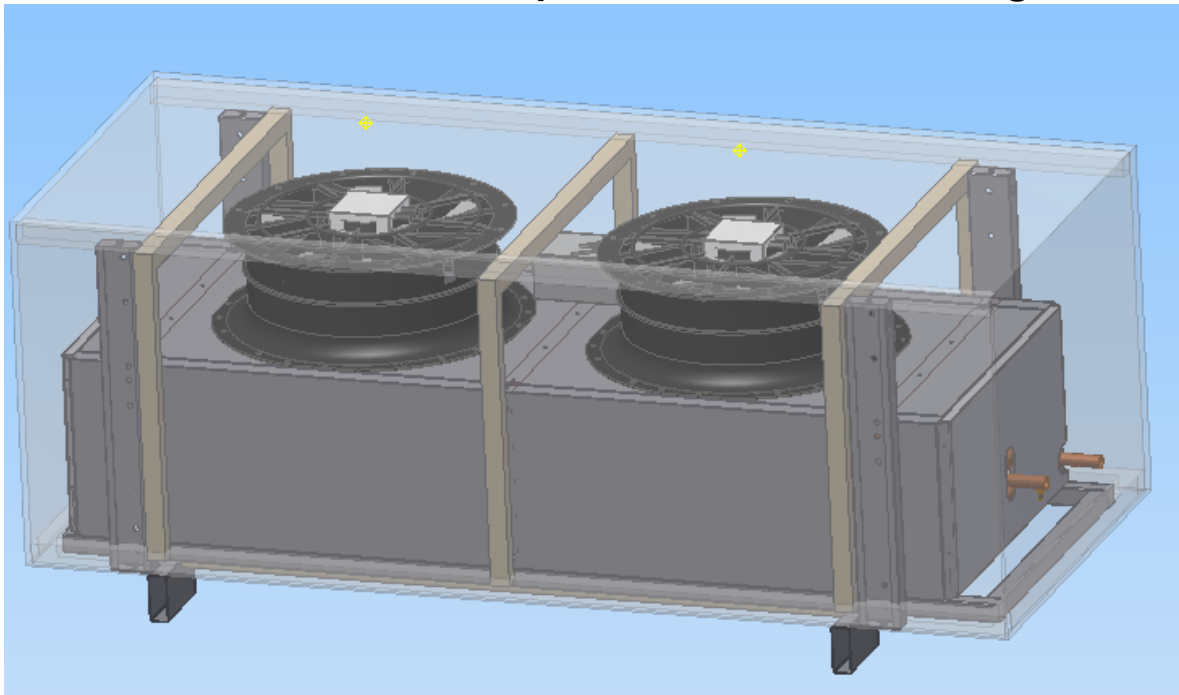


Cabero ACH-50 condenser Installation Instructions

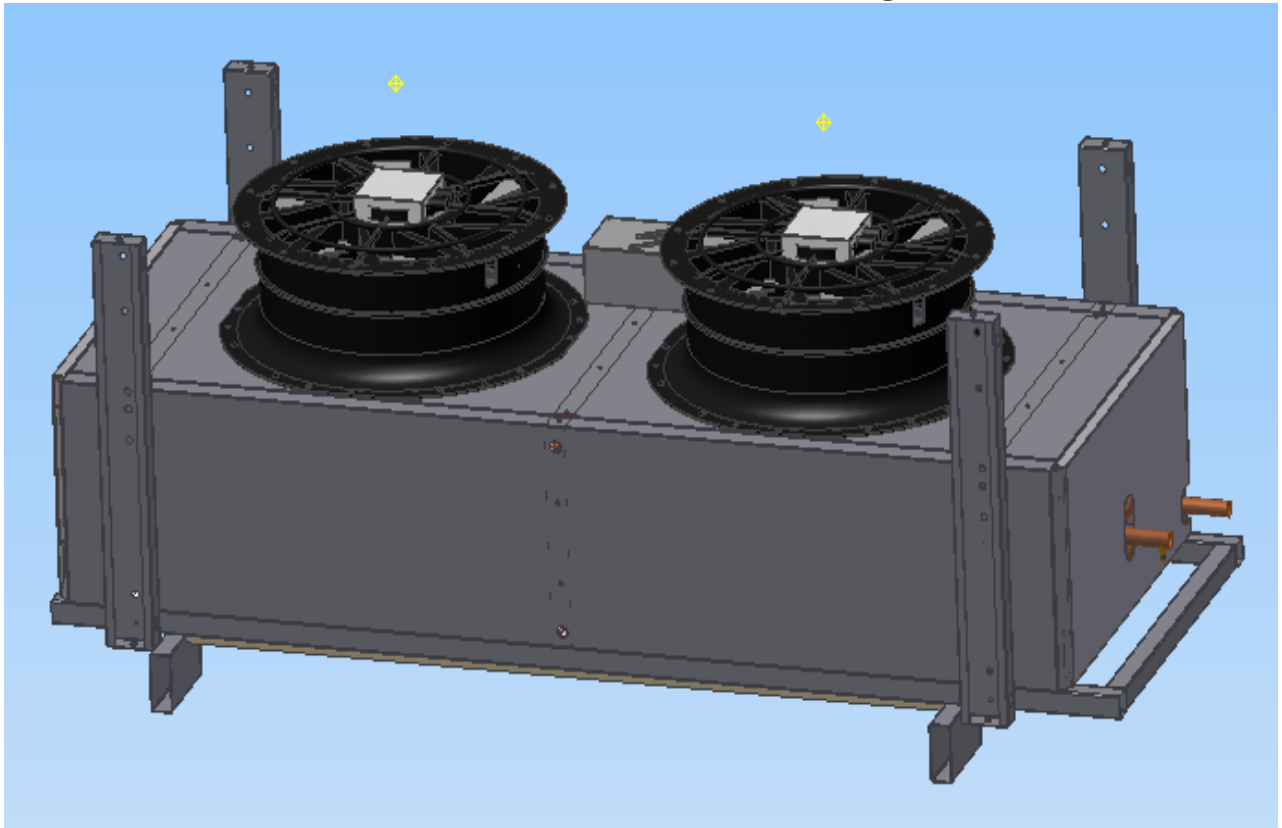
1、 When ACH products arrive, as follow:



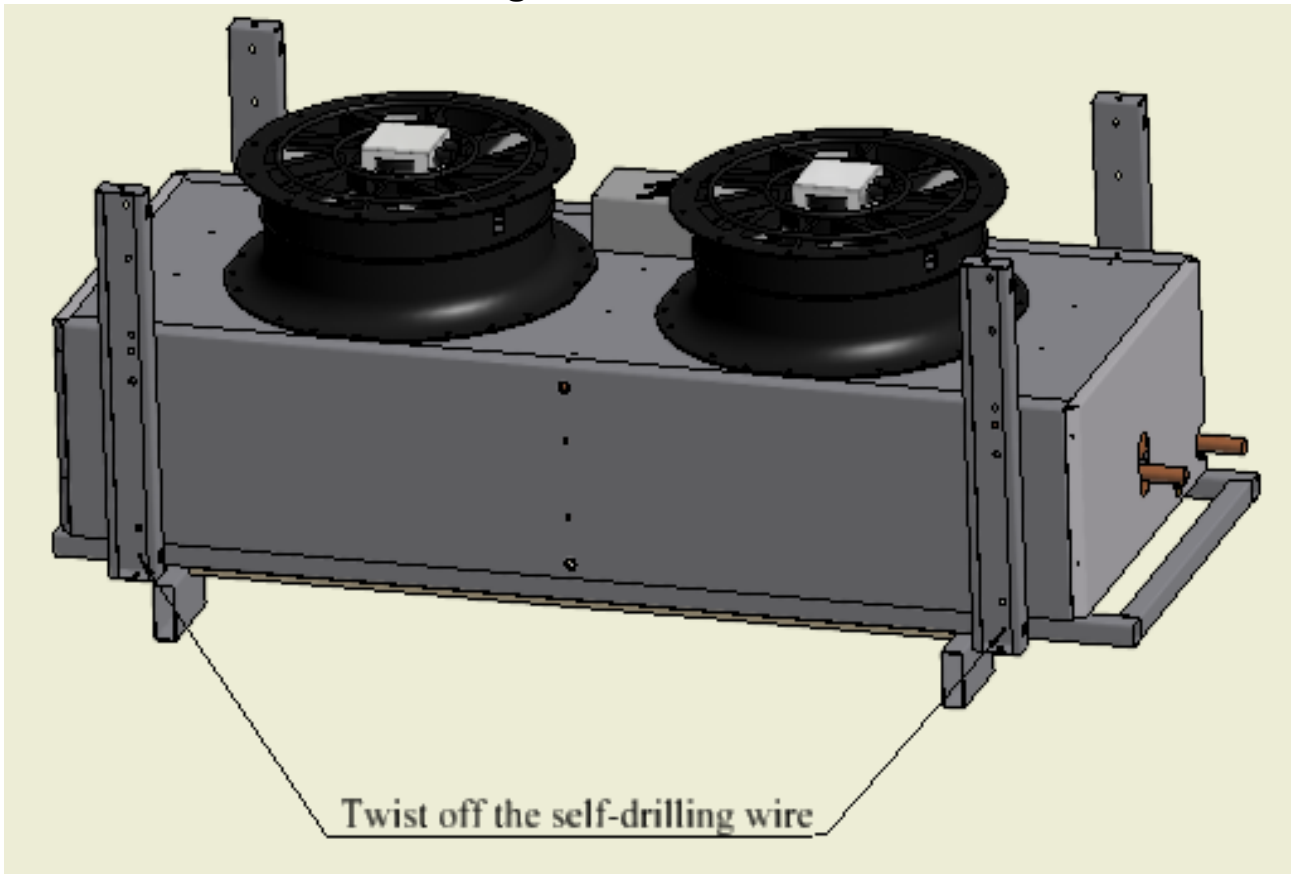
2、 The wooden box is transparent as shown in the figure:



3、 Unload the wooden box, as shown in the figure:

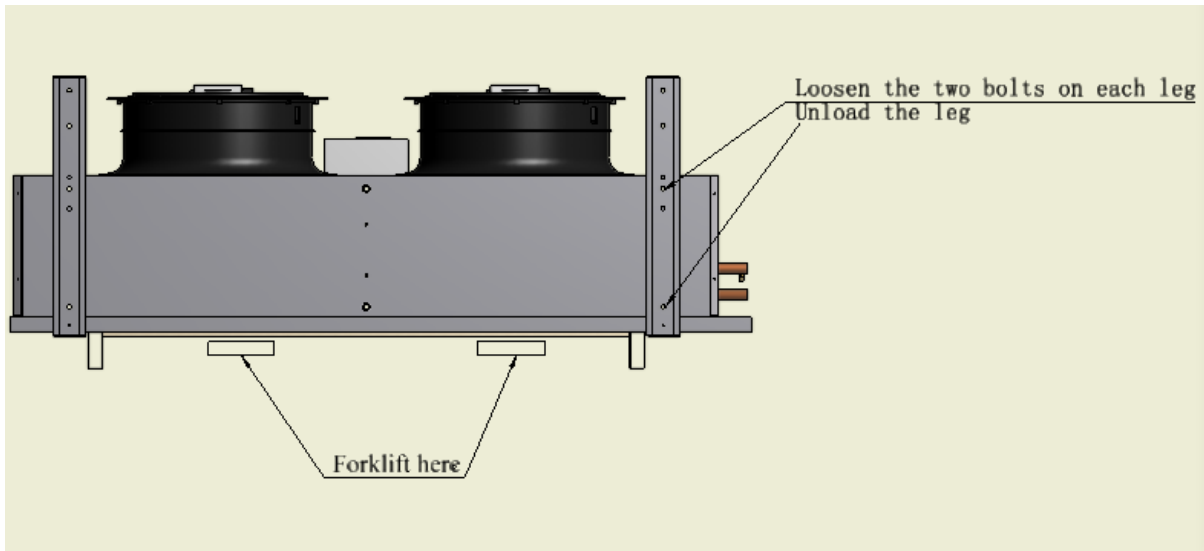


4、 Twist off the self-drilling wire:

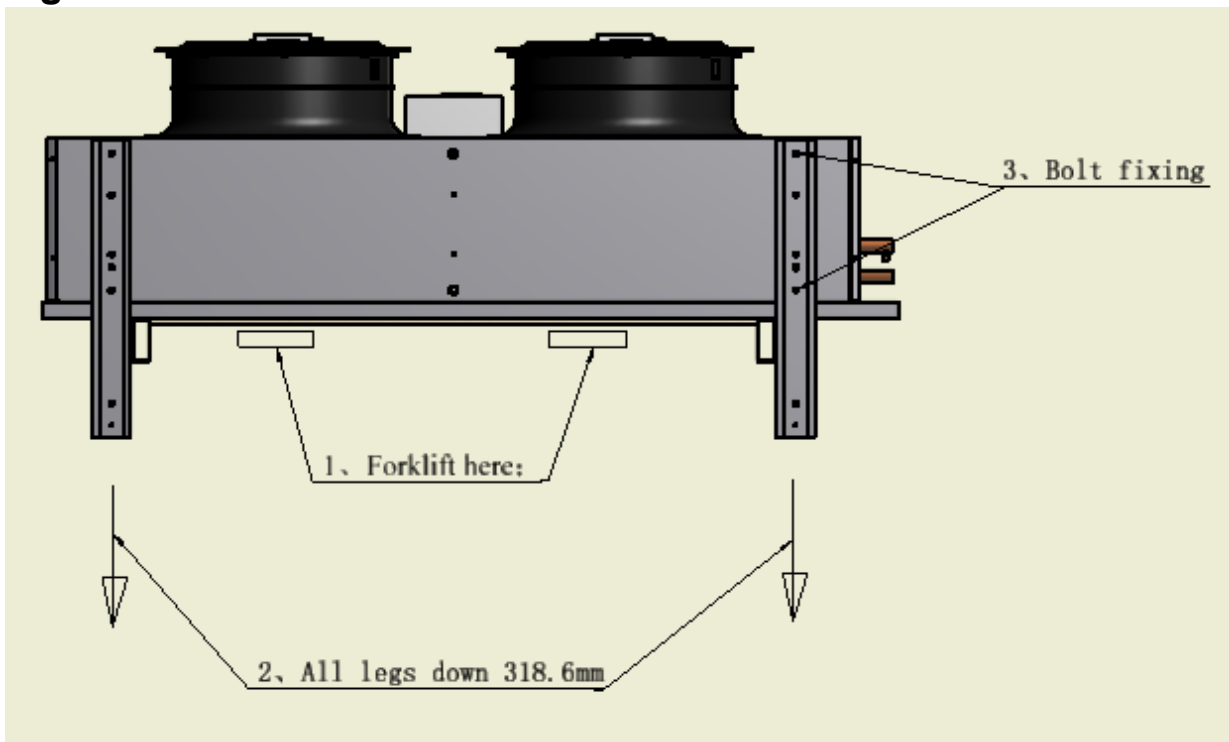


Cabero ACH-50 condenser Installation Instructions

5. Loosen the two bolts on each leg, Unload the leg, then Forklift the base :

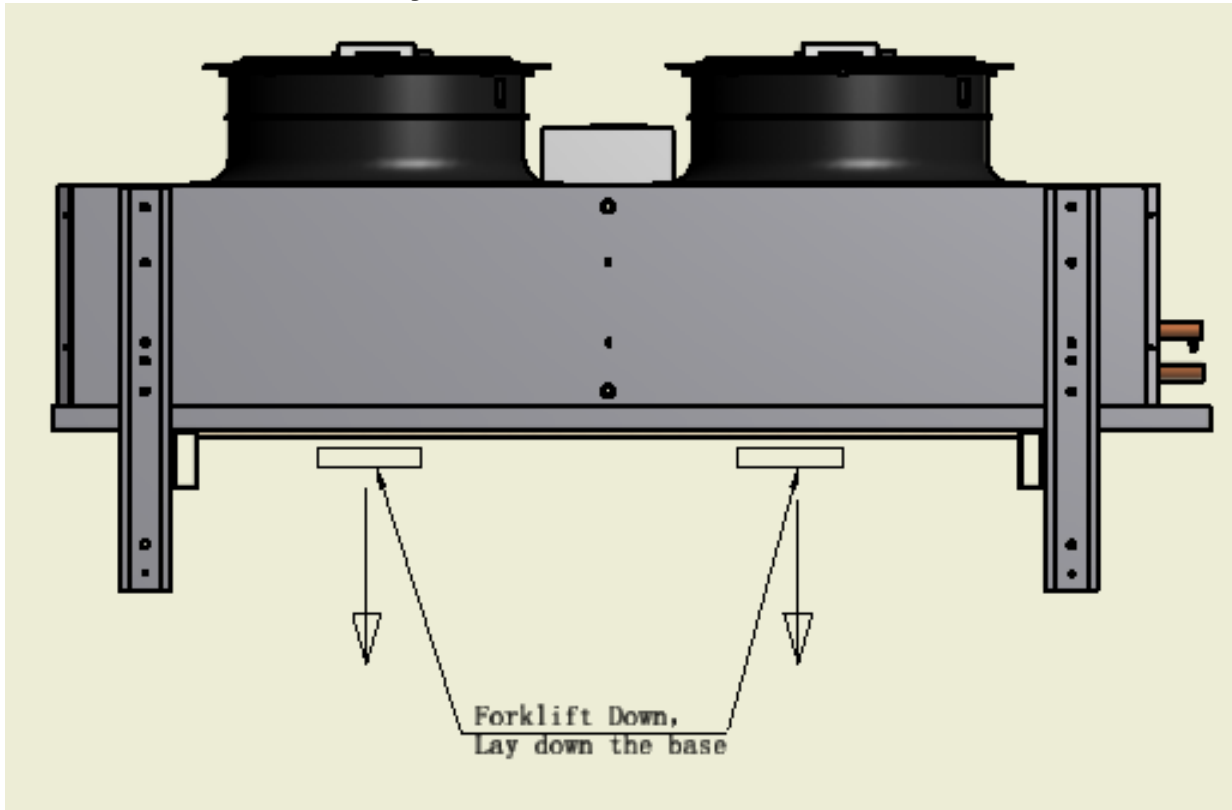


6. After Forklift here, All legs down 318.6mm, Bolt fixing leg:



Cabero ACH-50 condenser Installation Instructions

7、 Forklift Down, Lay down the base:



8、 Final ACH Product Diagram

