

Posh Solus Vanity Basin 525mm x 450mm 1 or 3 Taphole

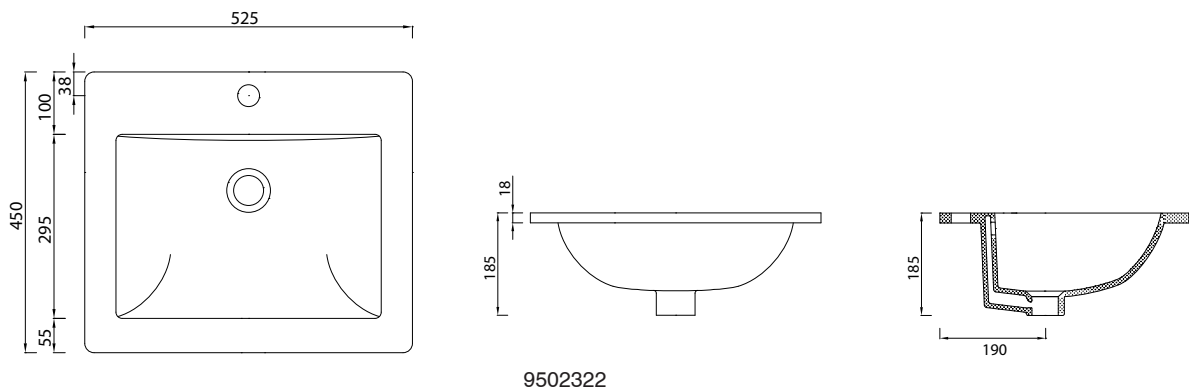
INSTALLATION INSTRUCTIONS

Note:

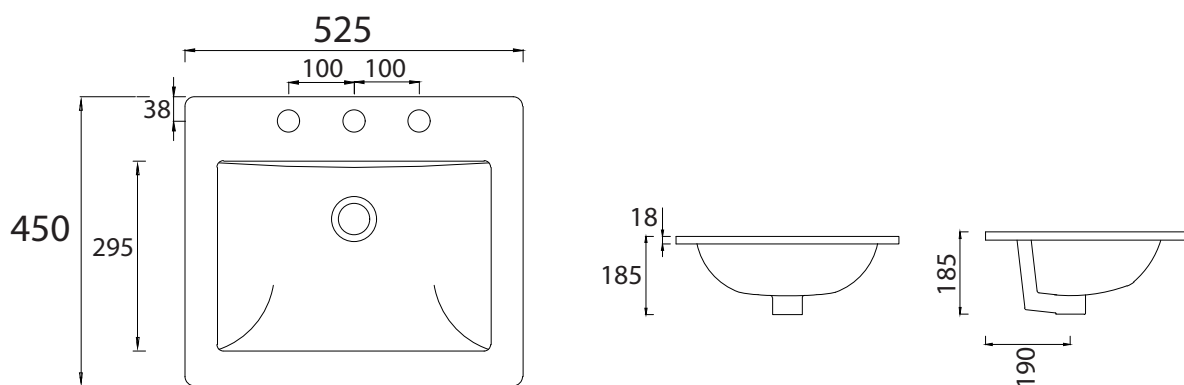
If wall mounted tapware is to be used, consideration should be made to length of outlet and positioning of the basin on bench top.

If tapware is to be bench mounted allow suitable top width for fitting tapware.

1. Cut hole into benchtop to template size.
2. Fit selected tapware and waste to basin. Ensure waste is siliconed around the rim.
3. Apply waterproof sealant (not supplied) to the rim of the basin and to the bench top.
4. Fit basin onto the bench top and press firmly all around to achieve good seal.
5. Remove surplus sealant.



9502322



9502323

Dimensions are nominal measurements only.

Please ensure a copy of the installation instructions is left with the end user for future reference.