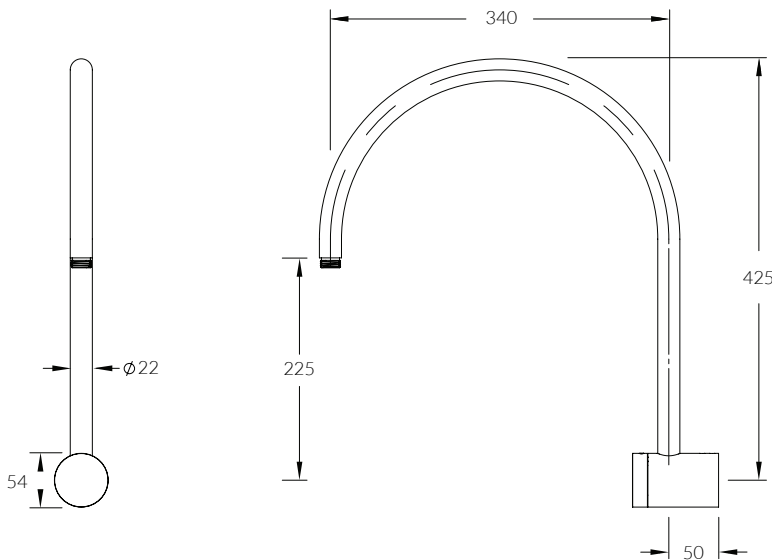




## Milli Pure Hi Rise Curved Arm

SPECIFICATIONS	
Recommended Use	Domestic, Commercial, Hotel
Colour	Chrome, Matte Black, Brushed Nickel, Brushed Gunmetal
Recommended Pressure Range	300 - 500Kpa
Max Continuous Working Pressure	500Kpa
Max Continuous Working Temperature	65 deg. C
Suitable for Storage Tank Hot Water	Yes
Suitable for Continuous Flow Hot Water	Yes
Suitable for Gravity Feed Hot Water	No
WARRANTY	
Warranty - Domestic Use	15 Years
Spare Parts	5 Years
Labour	1 Year

*Please refer to Warranty Page for full Terms and Conditions*



Dimensions are nominal measurements only.

**Disclaimer:** Products in this specification manual must by regulation be installed by licensed and registered trade people. The manufacturer/distributor reserves the right to vary specifications or delete models from their range without prior notification. Dimensions are nominal measurements only. Dimensions and set-outs listed are correct at time of publication however the manufacturer/distributor takes no responsibility for printing errors.

Published 17/12/2020



AS/NZS 3662  
LIC. WMKT 25562



To see the complete Milli range go to  
[www.reece.com.au/bathrooms](http://www.reece.com.au/bathrooms)