

BIS Support Bracket Rectangular Ductwork

(F05 15)

for air ducts

A



B

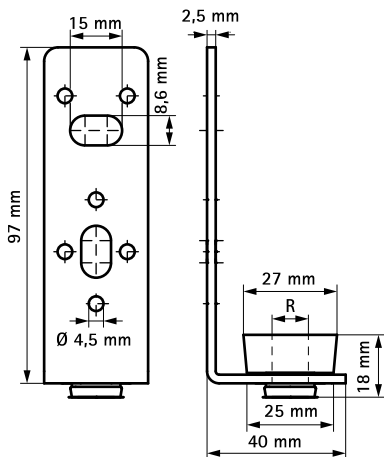


Features and Benefits

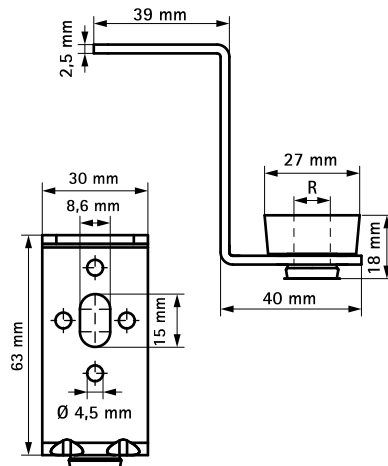
- for fixing of rectangular air ducts
 - with hole \varnothing 4.5 mm for pop-riwet connection
 - material: metal parts made of steel; silent block made of TPE rubber, black
 - sound insulating lining according DIN 4109
- zinc plated

Part No.	Type	R	F _{a,z} (N)	Pack 1
A 4125001	L	M10	490	50
B 4125003	Z	M10	230	50

A



B



Complementary

- BIS Fastenings
- BIS Roofing Sheet Hanger VdS