

POSH

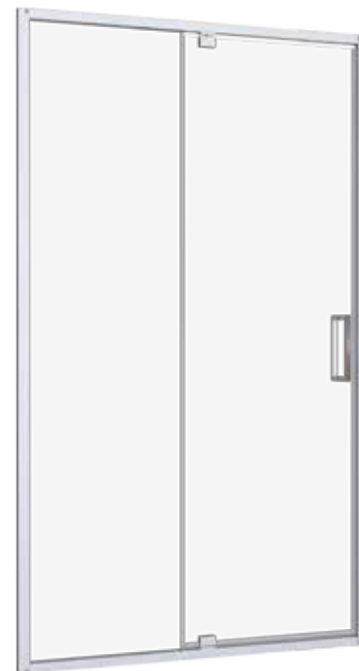
BRISTOL ALCOVE SHOWER SCREEN



900mm x 2000mm



1000mm x 2000mm



1200mm x 2000mm

Dimensions are nominal measurements only.

To see the complete BRISTOL range go to www.reece.com.au/bathrooms

SPECIFICATIONS

Recommended Use	Domestic, hotel and commercial
Material	Shower Screen: 6mm Toughened glass with fully framed chrome Door Panel Frame & Support Rail-Chrome
Handle	Square interior/exterior Door Handle- Chrome
Screen Height	2000mm
Dimensions	900mm - Min Max 855mm - 875mm 1000mm - Min Max 955mm - 975mm 1200mm - Min Max 1155mm - 1175mm
Door Opening	Right or Left

CLEANING RECOMMENDATIONS

We recommend the use of soapy water or approved cleaners.

This product should not be cleaned with abrasive materials.

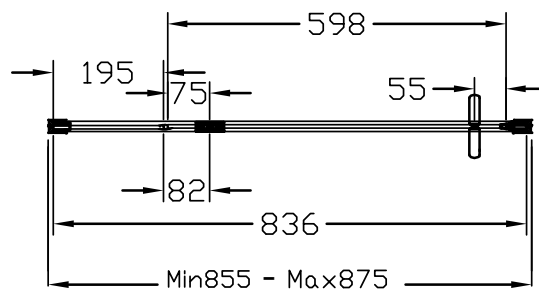
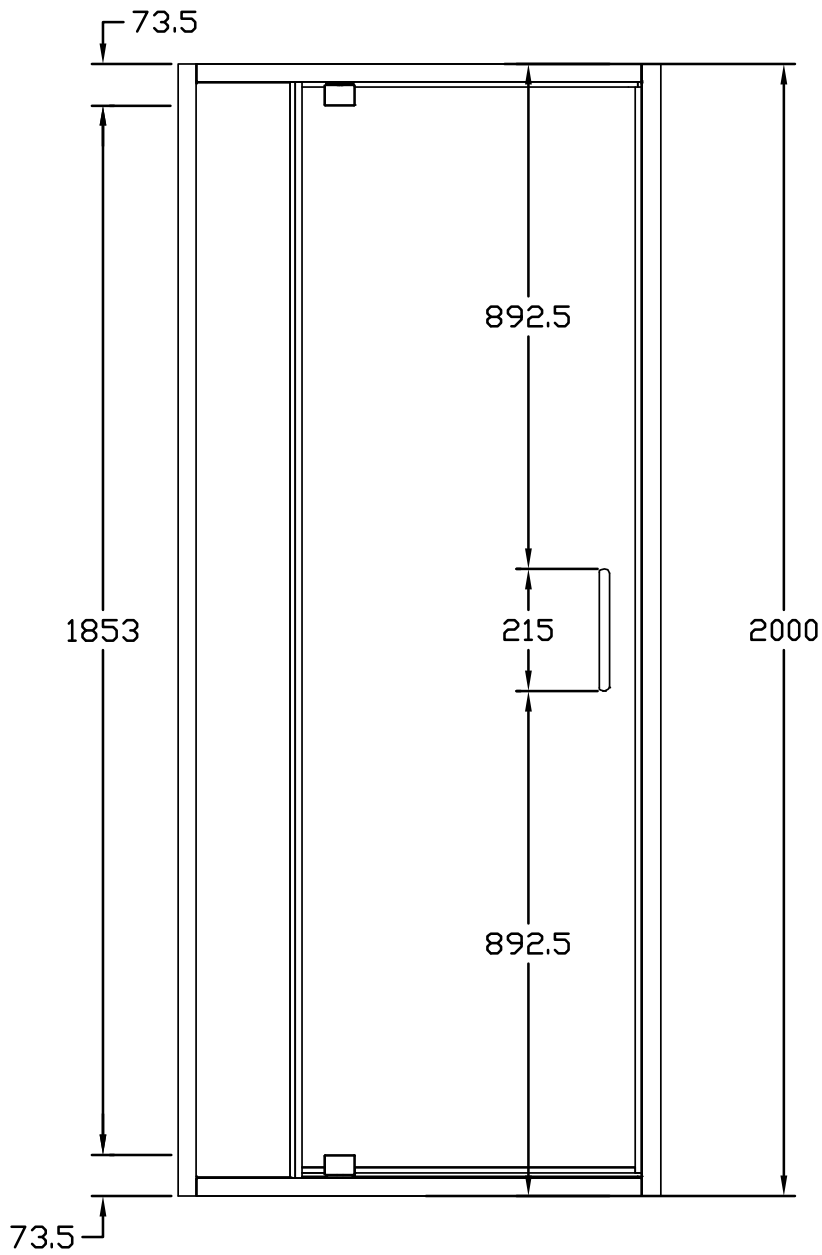
Damage caused by any improper treatment is not covered by the product warranty- refer to Warranty Conditions.

Disclaimer: Products in this specification manual must by regulation be installed by licensed and registered trade people. The manufacturer/distributor reserves the right to vary specifications or delete models from their range without prior notification. Dimensions are nominal measurements only. Dimensions and set-outs listed are correct at time of publication however the manufacturer/distributor takes no responsibility for printing errors.

Tech Page Version 1

POSH

BRISTOL ALCOVE SHOWER SCREEN

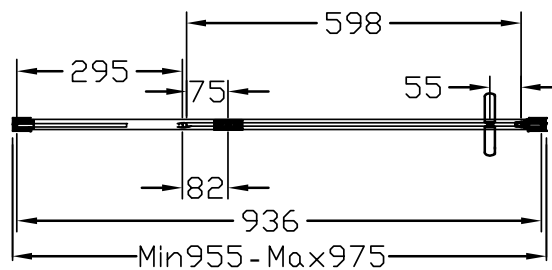
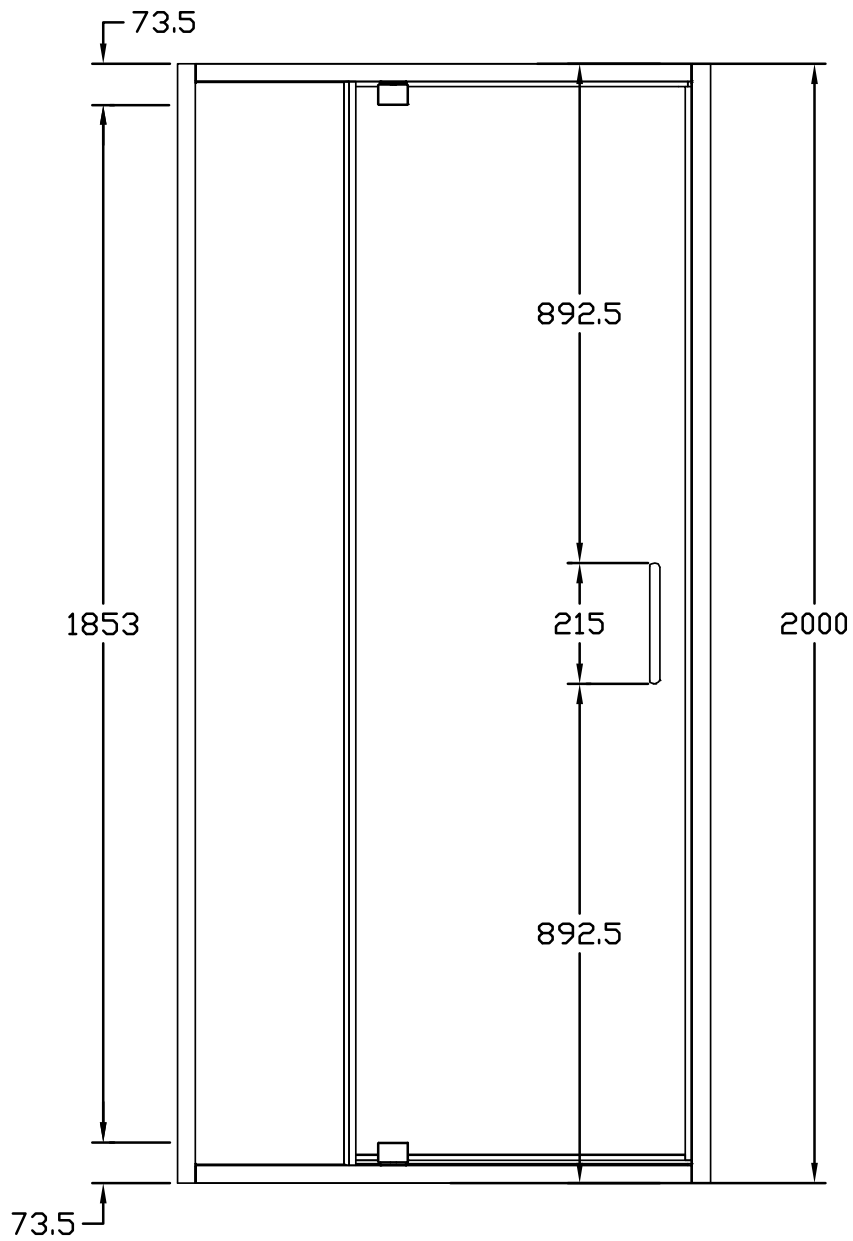


Plumbers, please ensure a copy of the installation instructions is left with the end user for future reference

Posh



POSH BRISTOL ALCOVE SHOWER SCREEN



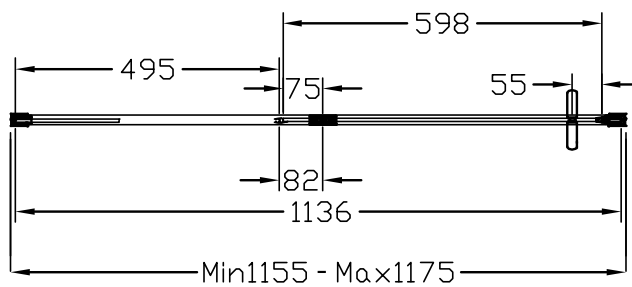
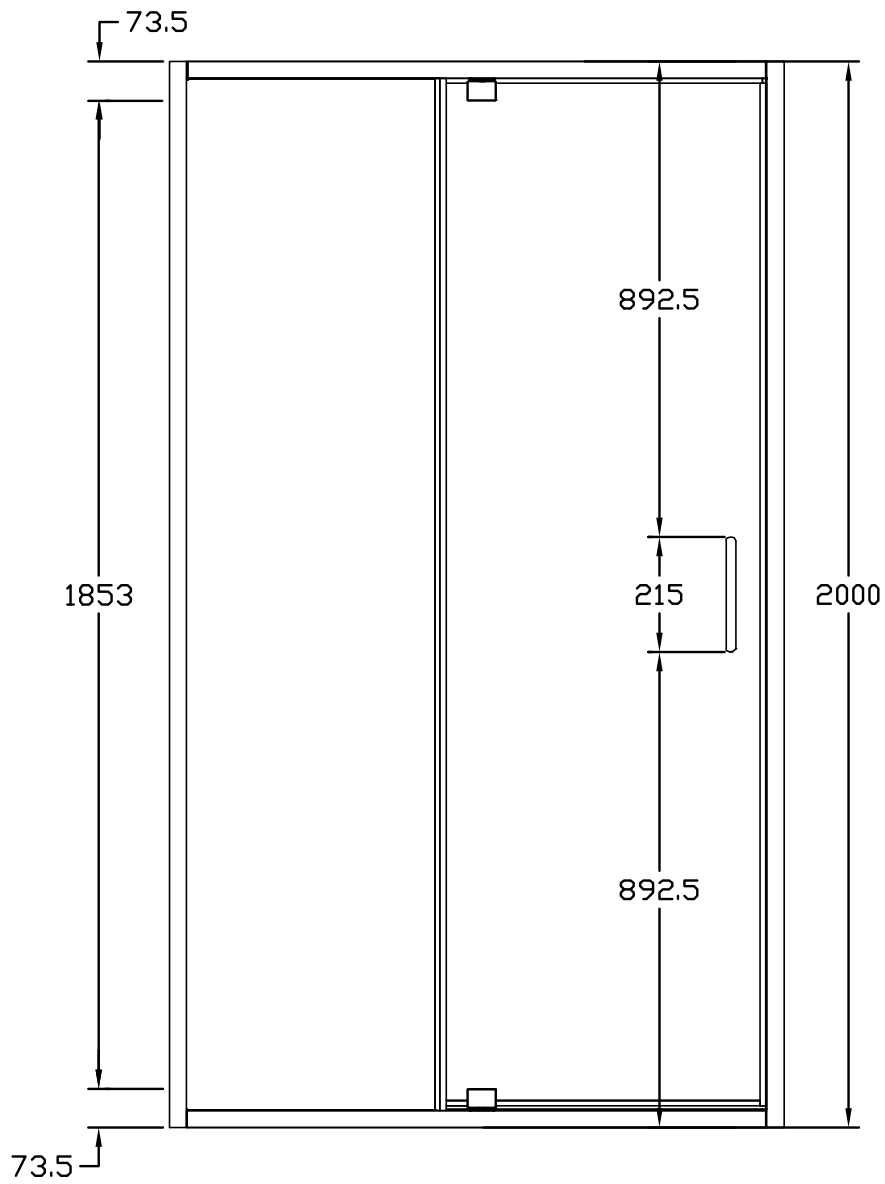
Plumbers, please ensure a copy of the installation instructions is left with the end user for future reference

Posh



POSH

BRISTOL ALCOVE SHOWER SCREEN



Plumbers, please ensure a copy of the installation instructions is left with the end user for future reference

Posh



POSH

BRISTOL ALCOVE SHOWER SCREEN

INSTALLATION INSTRUCTIONS

Important Note

Important Pre-Installation Information

- Please read this entire instruction book before commencing installation.
- A licenced tradesman must be used for the installation.
- Ensure there is a gasket between all glass and metal components.
- Leave the plastic protectors on the glass corners until the last possible moment and handle with care.
- Instructions to install the shower tray are included with the shower tray.
- In cold climates, warming the gaskets and seals with hot water or a hairdryer will assist installation.

Maintenance

If water alone is not enough to clean the glass, Decina recommends the use of mild detergent solutions only.

Tools Required



Silicone Sealant



Drill



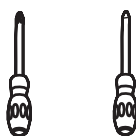
Level



Rubber Mallet



Pencil



Phillips Screwdriver



Tape Measure



Cutting Pliers



Utility Knife



6mm (1/4") and
3mm (1/8") Drill Bits



Safety Goggles



Gloves

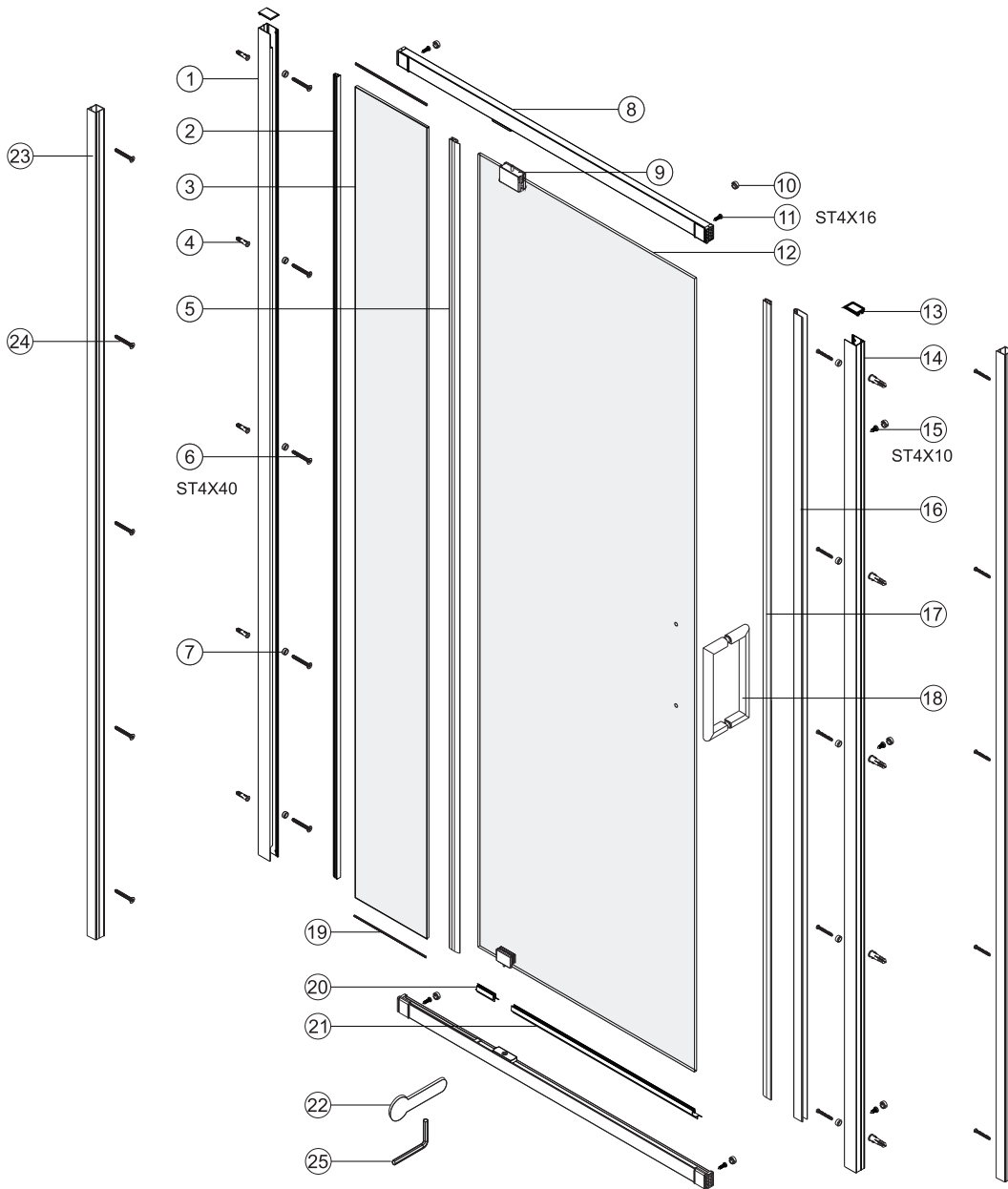
* Use the correct type of drill bit for the material being drilled, with 6mm required for anchor fixing and 3mm used for screwing directly into the wall studs.

** As with all toughened glass, take care while handling and wear safety goggles and gloves for personal protection.

POSH

BRISTOL ALCOVE SHOWER SCREEN

Parts List



NO	Qty	Description
1	1	Wall channel
2	1	Squeeze gasket
3	1	Fixed panel
4	10	Wall anchor
5	1	Side gasket
6	10	Screw ST4X40
7	10	Washer
8	2	Rail
9	2	Pivot cap
10	7	Screw cap
11	4	Screw ST4X16
12	1	Glass door
13	2	Wall channel cap

NO	Qty	Description
14	1	Wall channel
15	3	Screw ST4X10
16	1	Magnet channel
17	1	Magnet gasket
18	1	Handle
19	2	Squeeze gasket
20	1	Bottom gasket
21	1	Bottom gasket
22	1	Gasket tool
23	2	Extension channel
24	10	Screw ST4X50
25	1	Allen key kit

Plumbers, please ensure a copy of the installation instructions is left with the end user for future reference

Posh

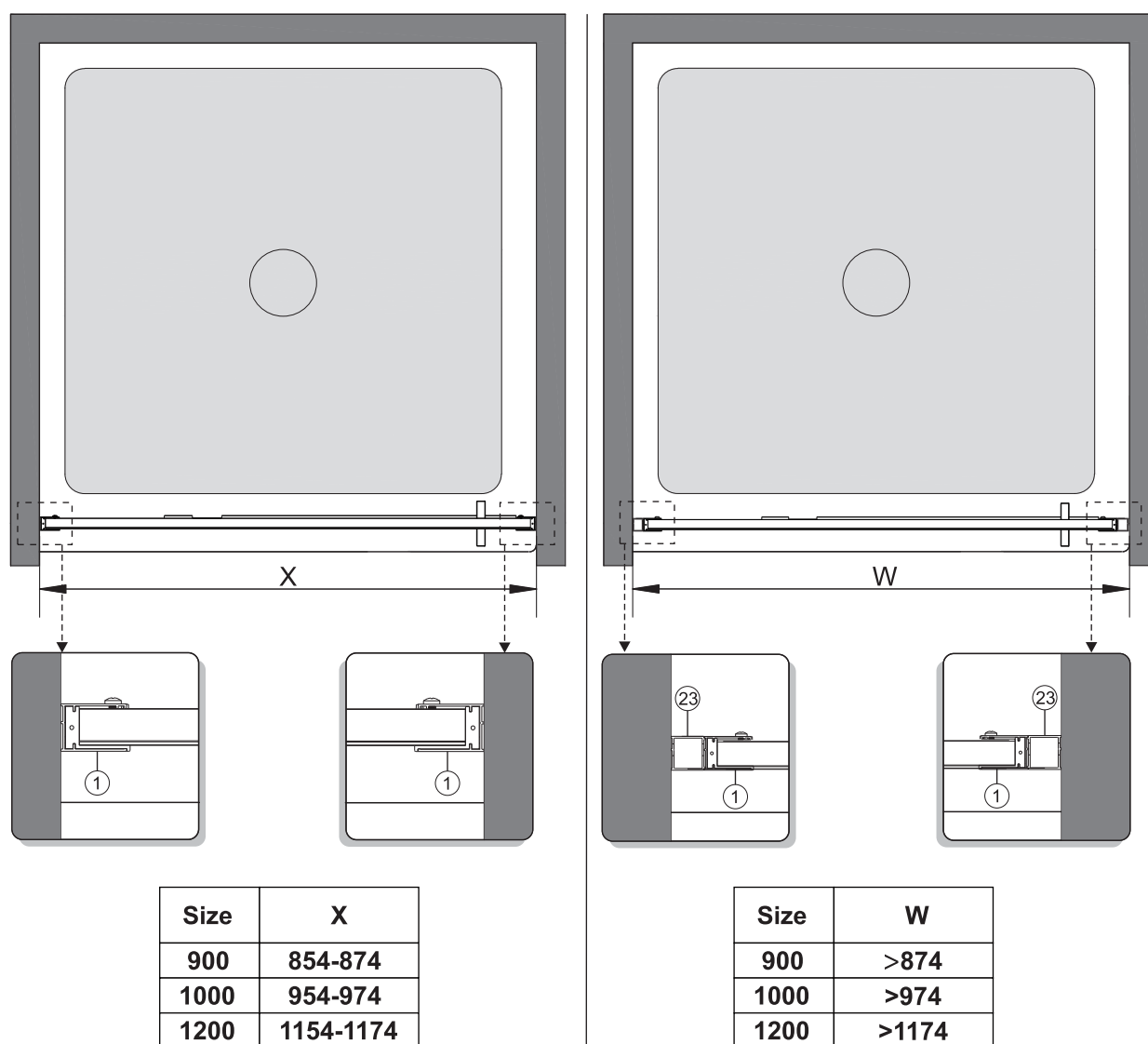
reece™

POSH

BRISTOL ALCOVE SHOWER SCREEN

Determining Wall Channel Location

When commencing step 1 on the following page, please refer to this drawing and the tabulated dimensions for your size of system to assist in the correct location of the wall channels.

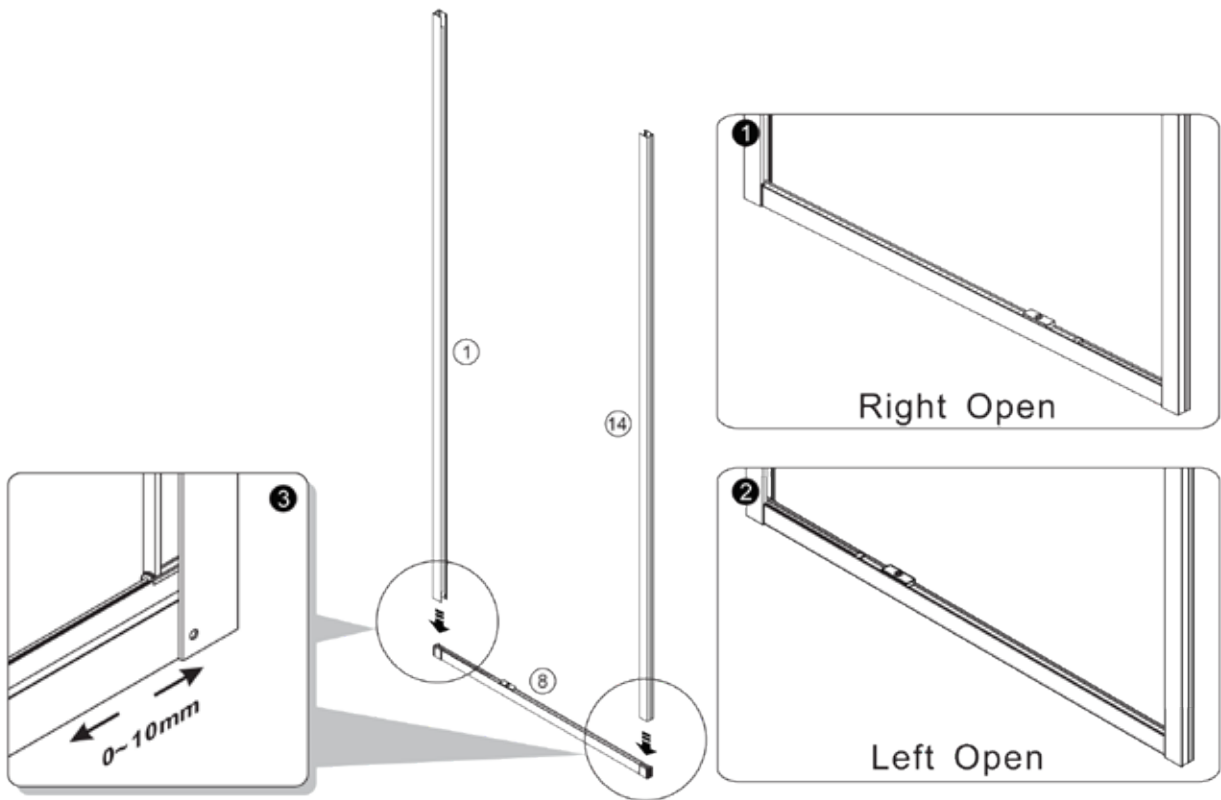


- Locate the size of your shower screen in column 1 and use the value for X and Y on the same line to find the distance from the shower wall to the outside edge of the wall channels. If a shower base is fitted, do not measure from the edge of the shower base to determine the position of the wall channel.
- If your wall and shower base are not at right angles the glass will not push fully into the wall channel at the top or bottom. This misalignment is acceptable if not exceeding 15mm, however the overall shower size will then increase by the amount of this misalignment.
- If the screen footprint does not turn out square while the aluminium braces are being installed (step 3), the glass can be pulled out from the full depth of the channel by up to 15mm to assist in squaring.

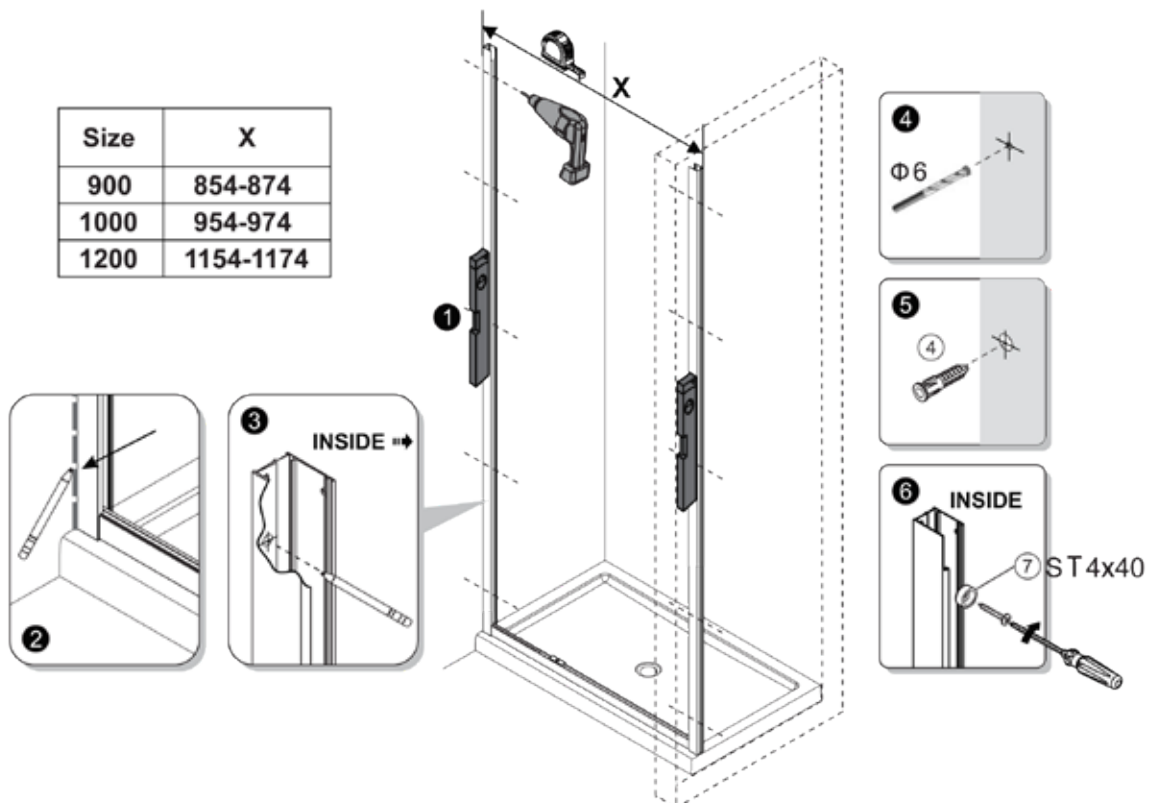
POSH

BRISTOL ALCOVE SHOWER SCREEN

1

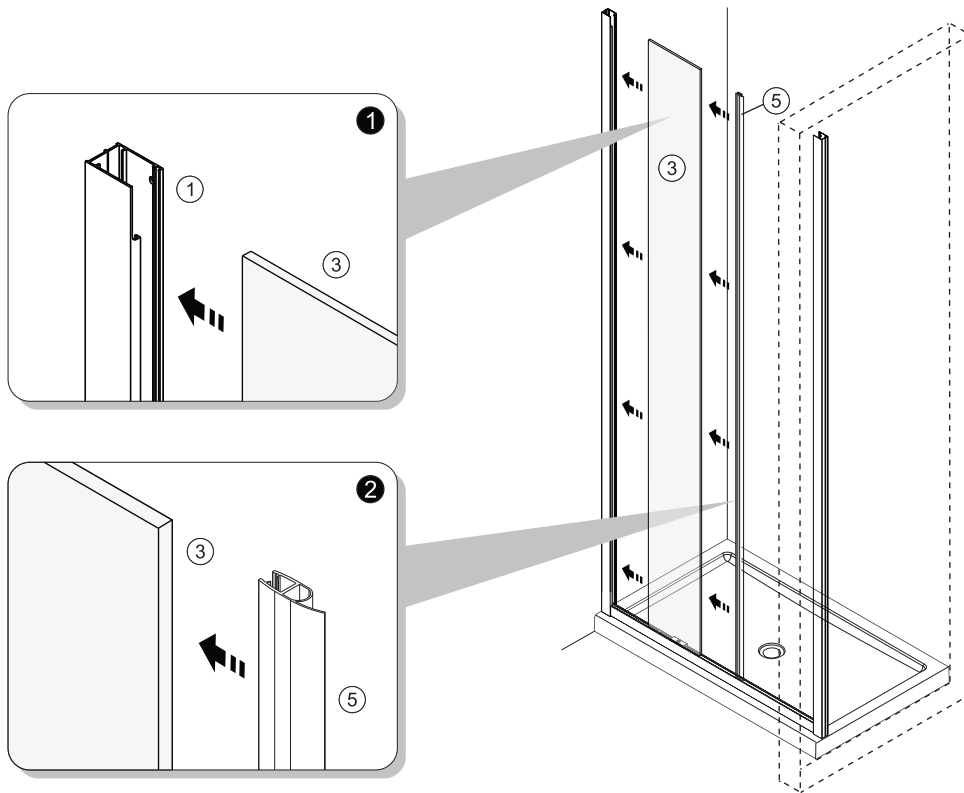


2

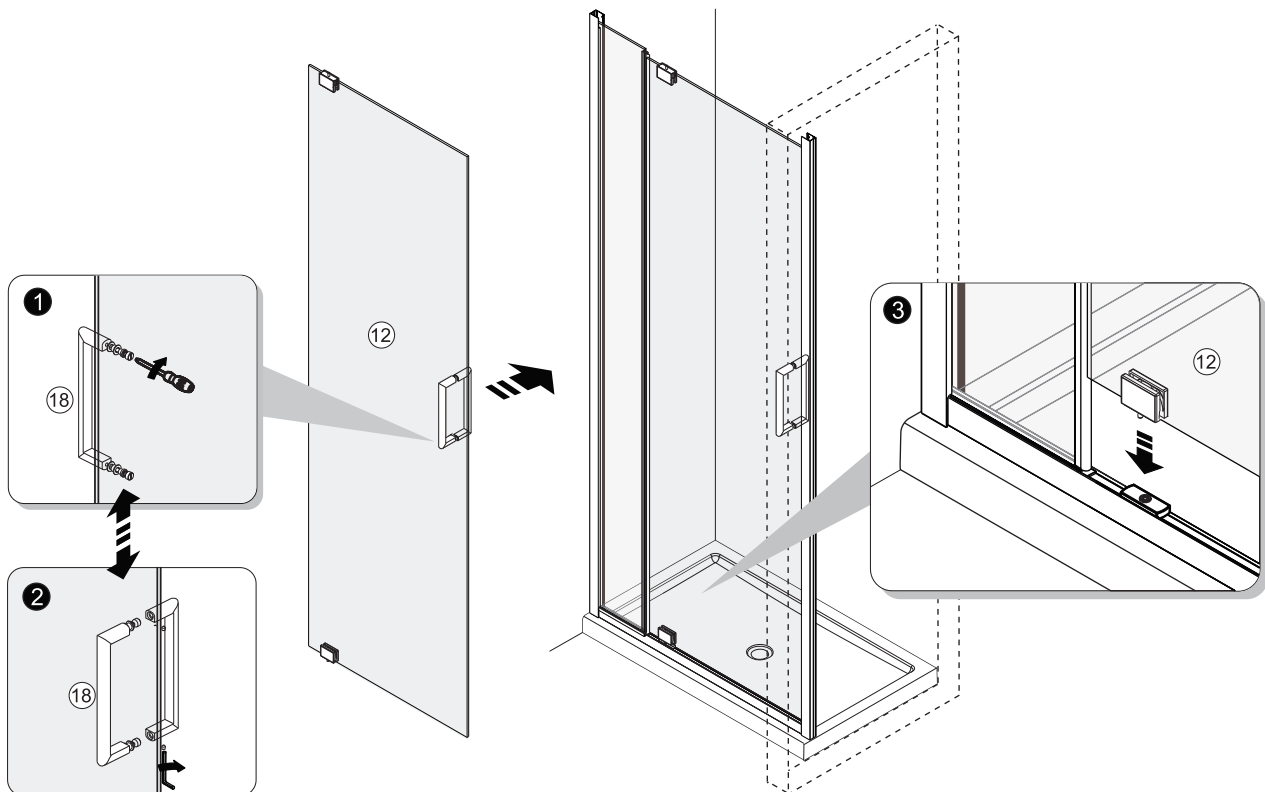


POSH BRISTOL ALCOVE SHOWER SCREEN

3



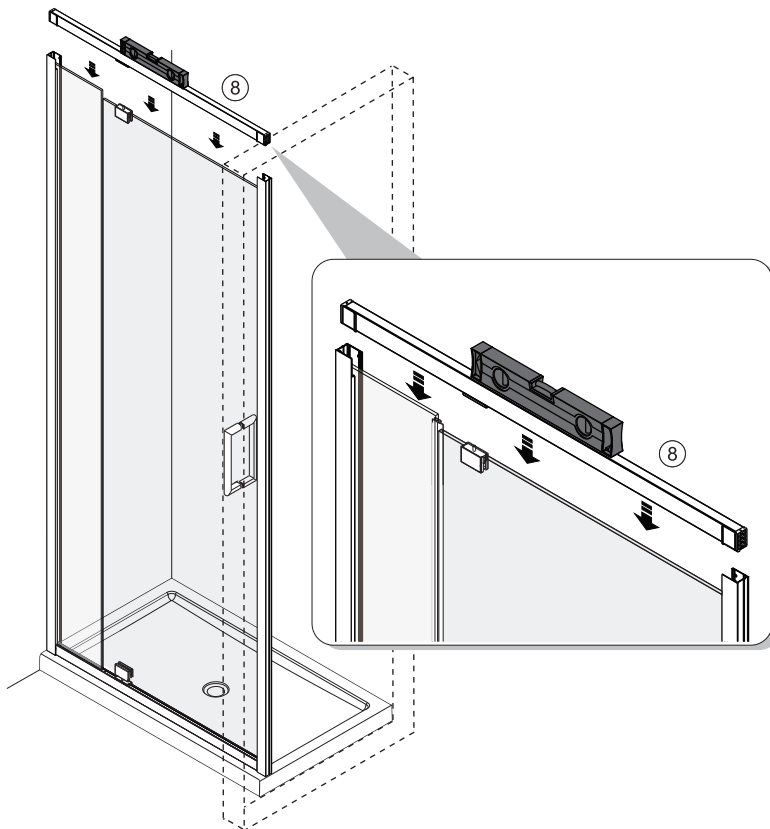
4



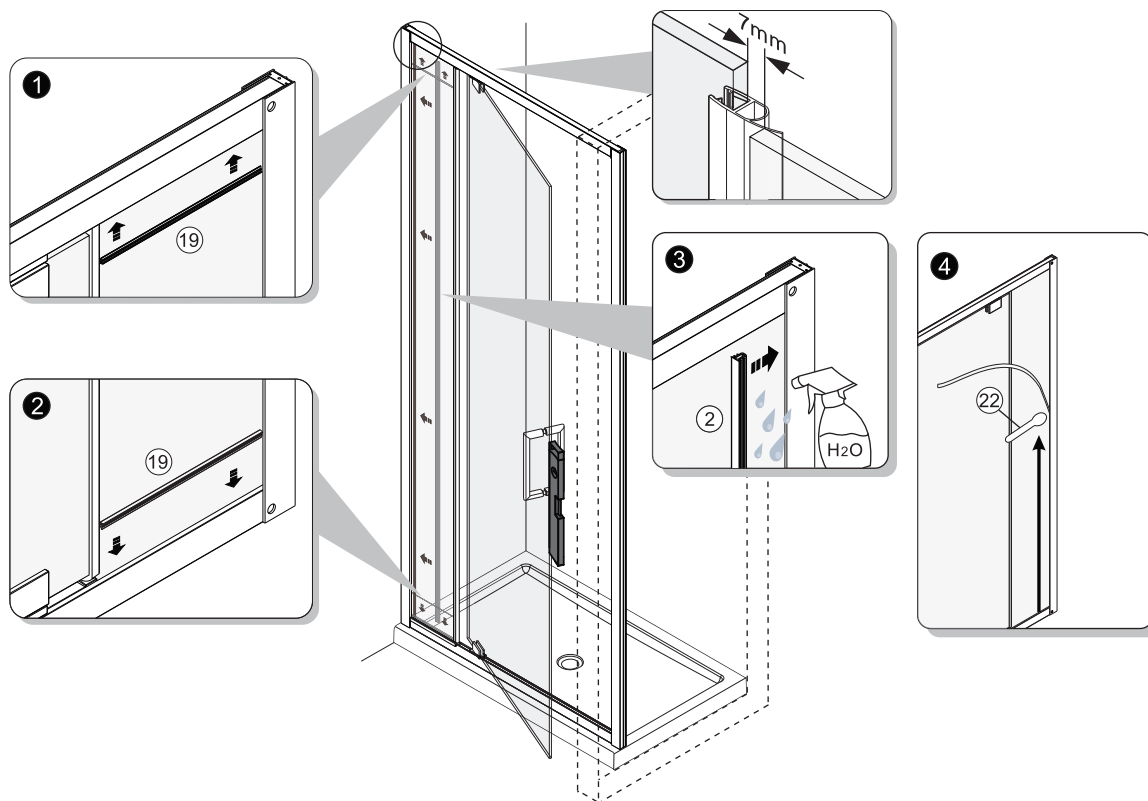
Plumbers, please ensure a copy of the installation instructions is left with the end user for future reference

POSH BRISTOL ALCOVE SHOWER SCREEN

5

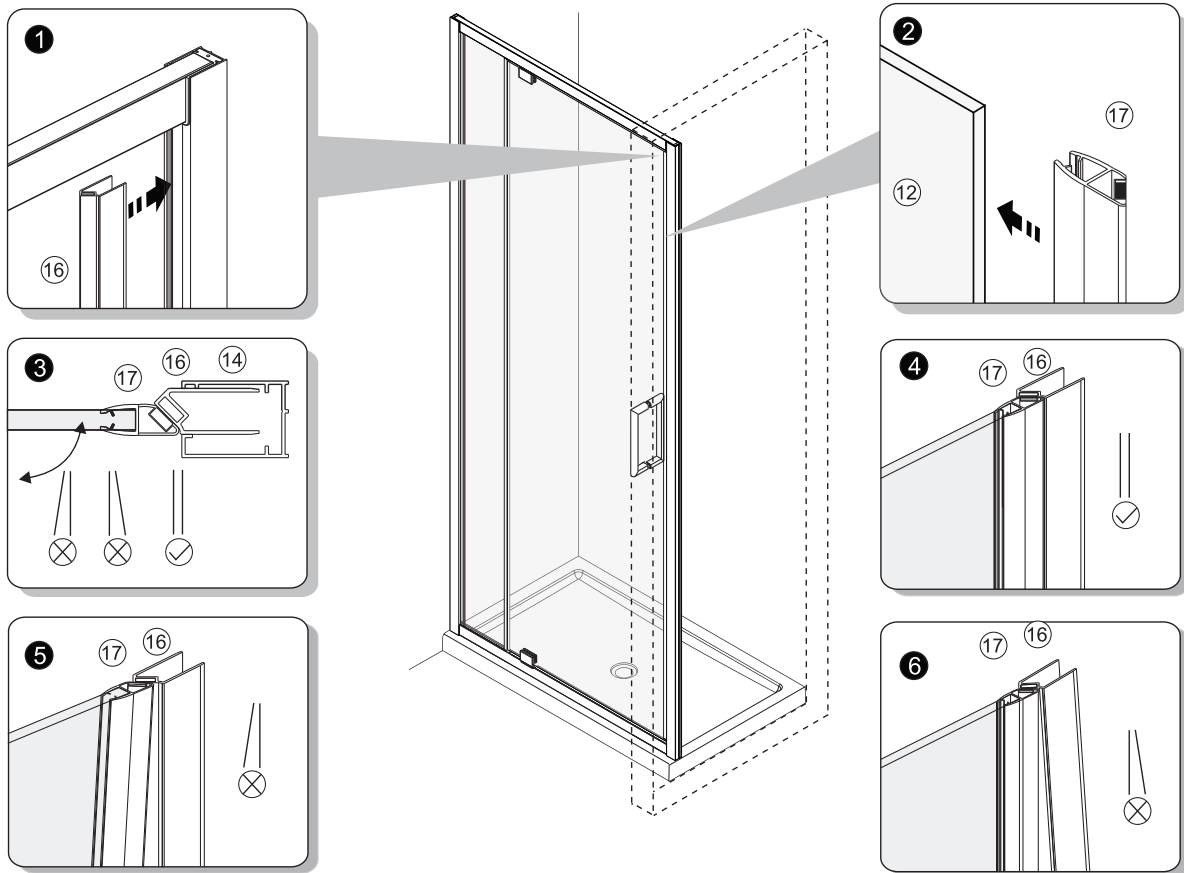


6

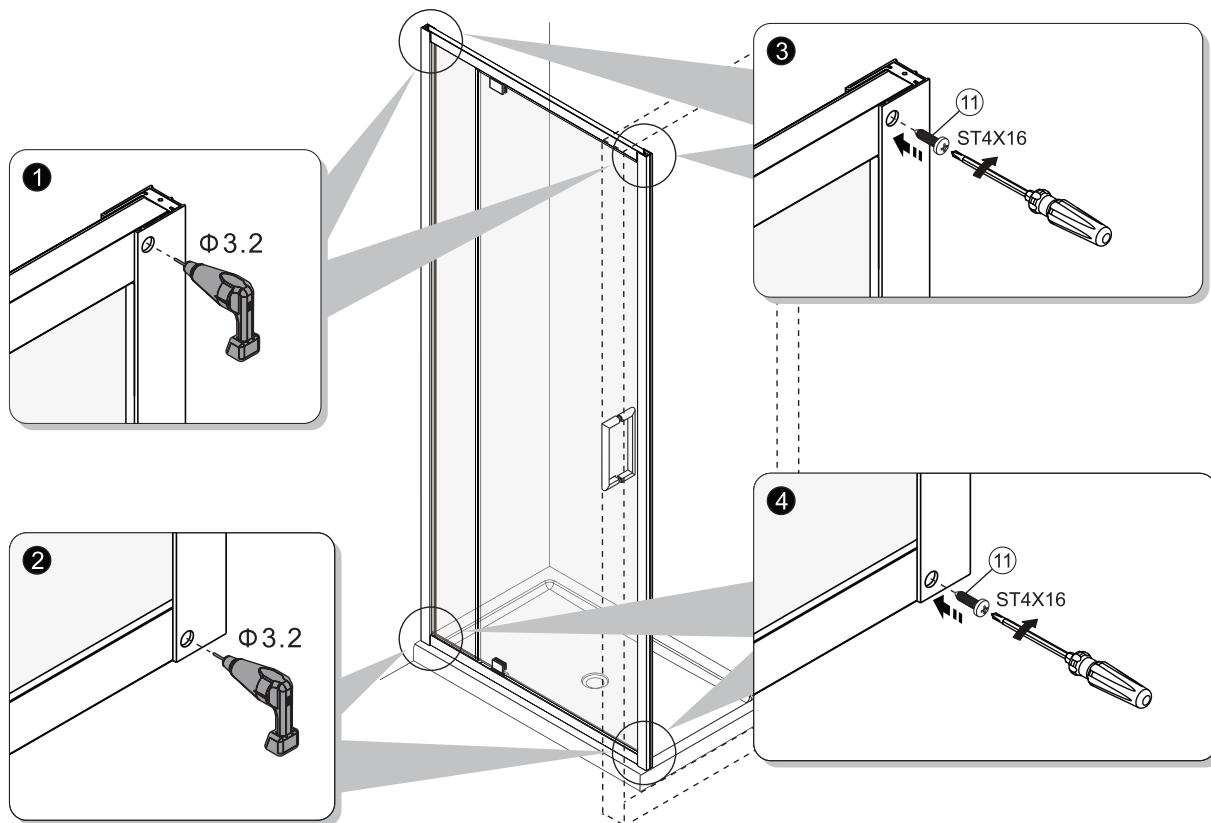


POSH BRISTOL ALCOVE SHOWER SCREEN

7

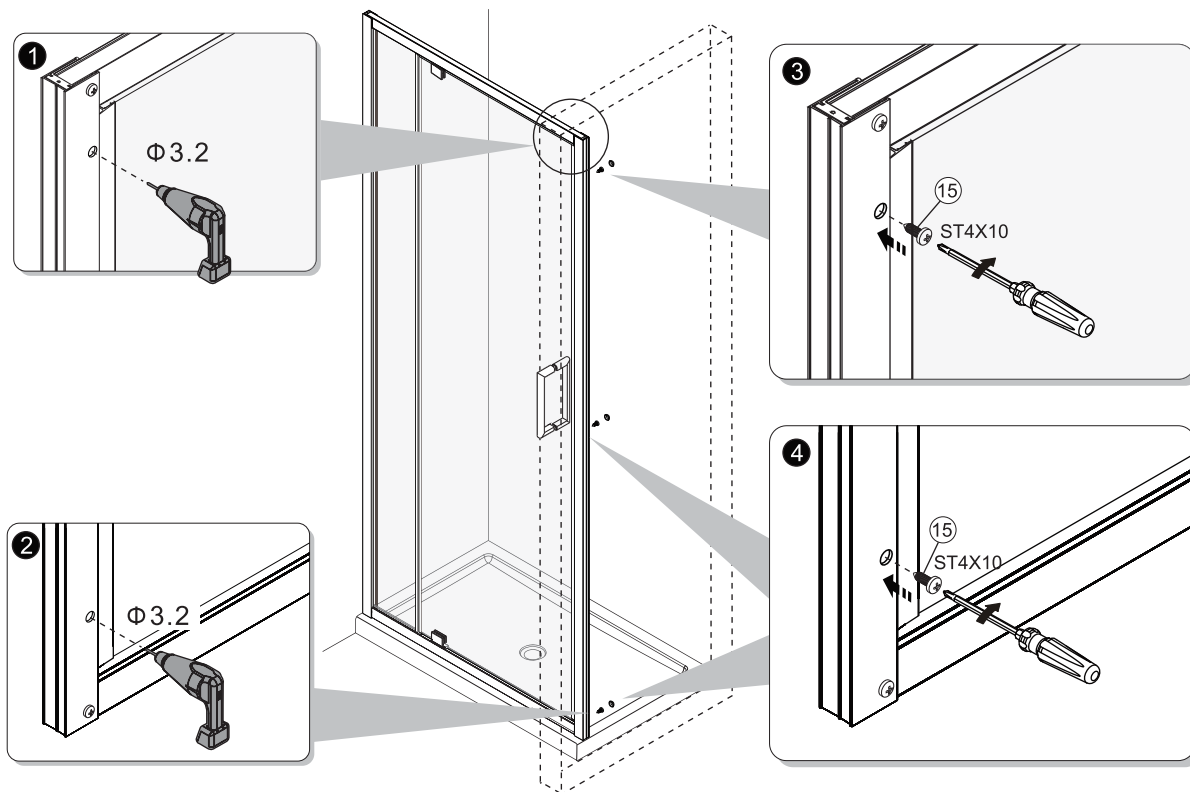


8

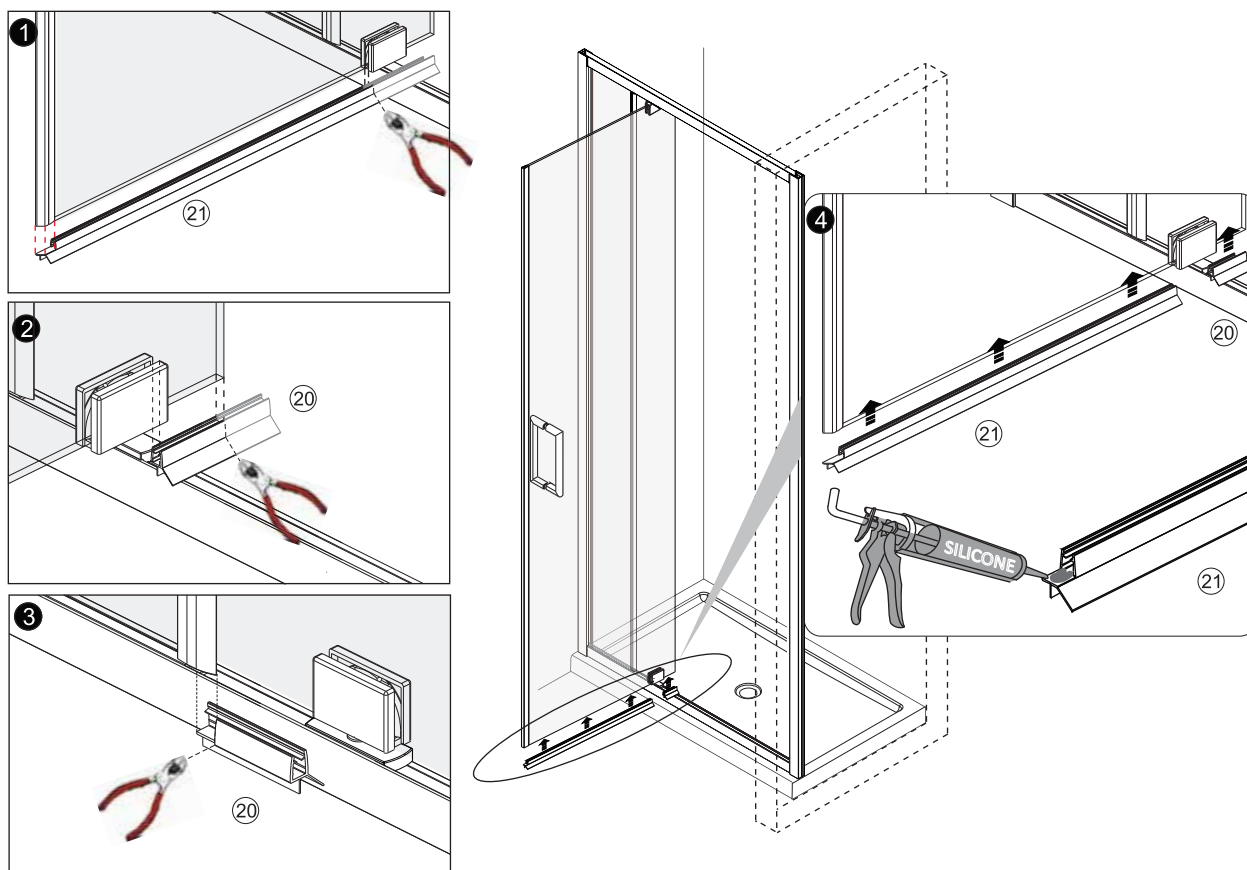


POSH BRISTOL ALCOVE SHOWER SCREEN

9



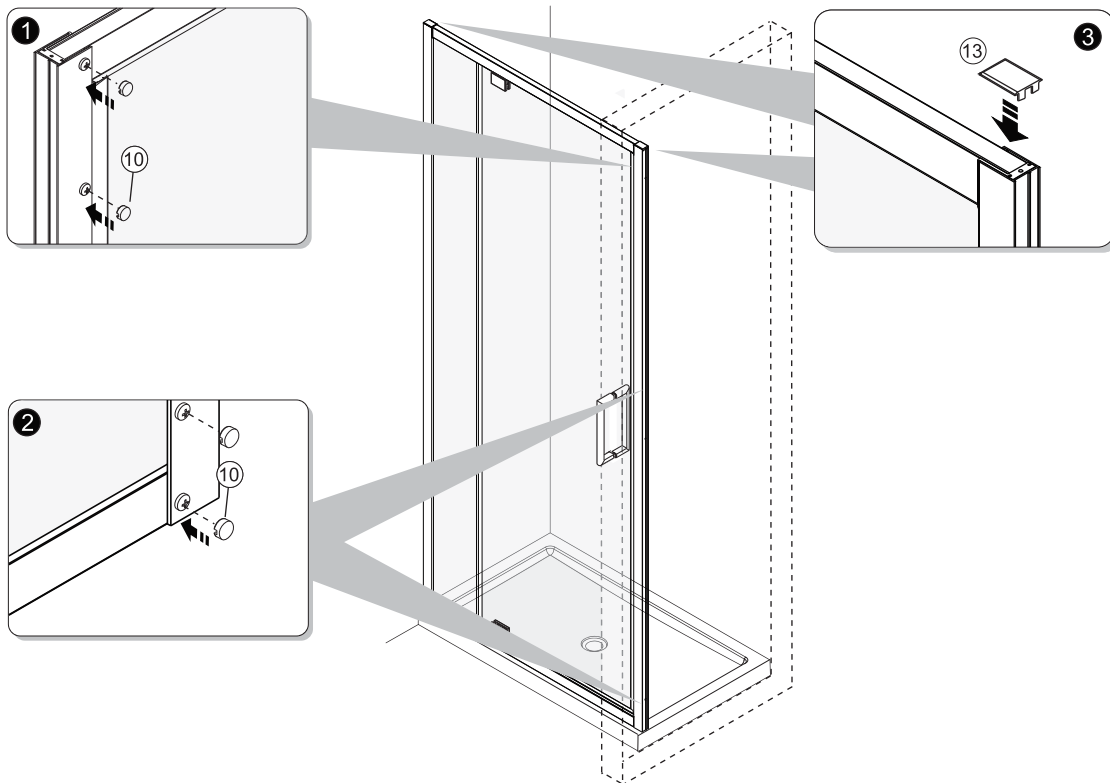
10



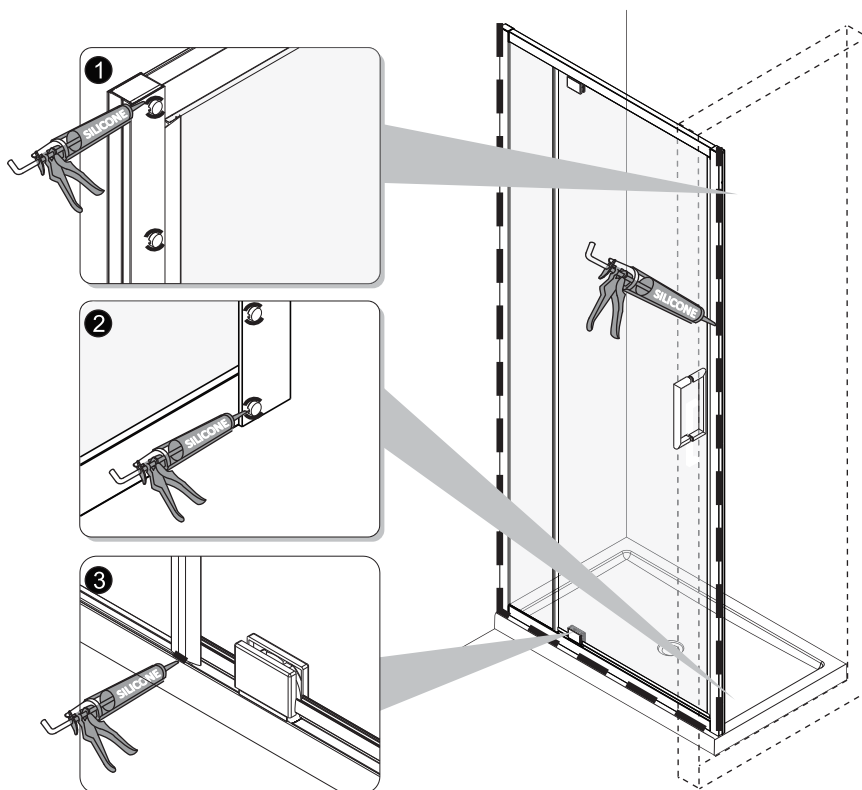
Plumbers, please ensure a copy of the installation instructions is left with the end user for future reference

POSH BRISTOL ALCOVE SHOWER SCREEN

11



12



Silicone inside and outside of the shower (silicone not supplied).

Plumbers, please ensure a copy of the installation instructions is left with the end user for future reference