

PLUMBERS INSTALLATION INSTRUCTIONS

Important Information

- * **Brazed connections should NOT be made directly onto the mixer, as excessive heat will cause permanent damage.**
- * **All pipework must be thoroughly flushed prior to installation.**

Installation (Fig. 1 & 2)

- 1) Fit mixer body (12) onto a suitable mounting plate or noggin in the wall and secure using screws through the holes in its base. When facing the mixer, the connections should be as follows :
Hot water inlet connection 'H' to the left.
Cold water inlet connection 'C' to the right.
Mixed water outlet connection, vertically upwards.
Check all connections for leaks.
- 2) Apply a suitable clear sealant to the back edge of the cover plate (8), leaving an unsealed section at the bottom for drainage. Apply a suitable clear sealant in the corner around the location diameter of the retaining ring (7), to prevent water entering the wall cavity (See Fig. 2). Carefully fit the cover plate (8) followed by the retaining ring (7) onto the mixer body (12), ensuring the pin in the retaining ring is engaged in the location slot (with the screws at the bottom). Push the retaining ring and cover plate firmly against the wall/tile face and tighten screws (5) using 2mm allen key (6). Wipe clean any excess sealant from the decorative surfaces and the wall/tile face (See Fig. 1).
- 3) Fit handle (1) taking care that it is pushed fully down, tighten screw (2) using the 2.5mm allen key (3). Screw handle lever (4) into handle (1) and tighten firmly by hand, taking care not to damage the decorative finish.

Replacing Cartridge (Fig. 2)

- 1) Turn off hot and cold water supplies at isolating stop taps.
- 2) Carefully unscrew handle lever (4). Using 2.5mm allen key (3) loosen screw (2) and remove handle (1). Unscrew cap (9) taking care not to damage the decorative finish. Unscrew retaining nut (10) and remove the old cartridge (11).
- 3) Ensure inside of mixer body (12) is clean. First check that seal is in position in base of new cartridge (11) into mixer body, taking care that two lugs on base of cartridge fit into mating holes in mixer body. Screw on nut (10). **Important** : Nut (10) should be tightened to a torque of 10Nm. Replace cap (9) tightening by hand.
- 4) Fit handle (1) taking care that it is pushed fully down, tighten screw (2) using the 2.5mm allen key (3). Screw handle lever (4) into handle (1) and tighten firmly by hand, taking care not to damage the decorative finish.
- 5) Turn on water supplies and check operation.

IMPORTANT	
<u>Pressure & Temperature Requirements.</u>	
•	Hot and cold water inlet pressures should be equal.
•	Static inlet static pressure range : 150 -1000 kPa New Regulation :-500 kPa maximum static pressure at any outlet within a building. (Ref. AS/NZS 3500.1-2003, Clause 3.3.4)
•	Maximum hot water temperature : 80°C.
<u>Installation Requirements.</u>	
•	The installing plumber is responsible for waterproofing all penetrations for Taps in Shower areas at installation by a proprietary flange system or a sealant. (Ref AS3740-2010, Clause 3.10)

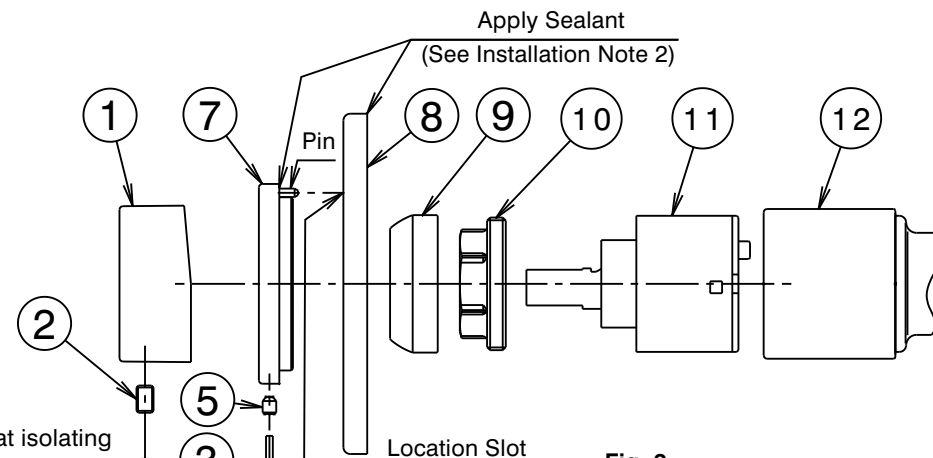


Fig. 2

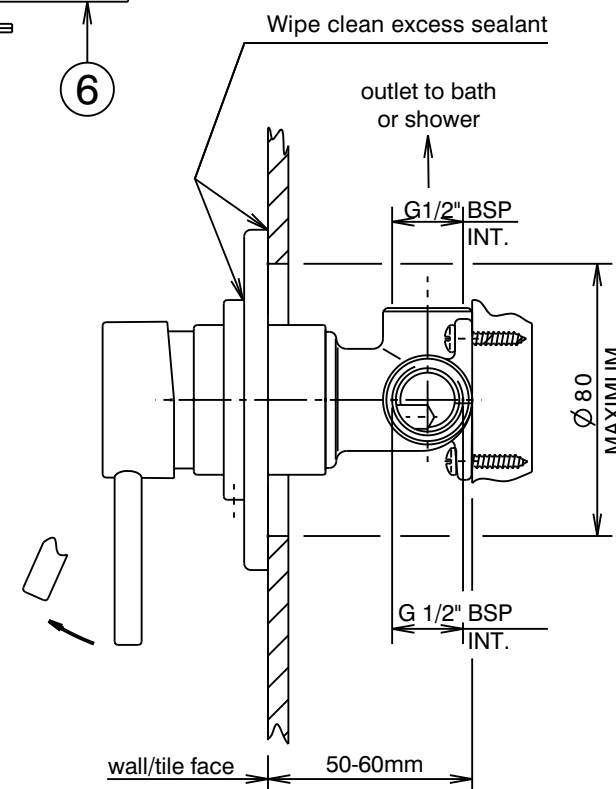


Fig. 1