

EUROSMART NEW
WALL BASIN TRIMSET
MODEL # 29349003

Pure Freude
an Wasser



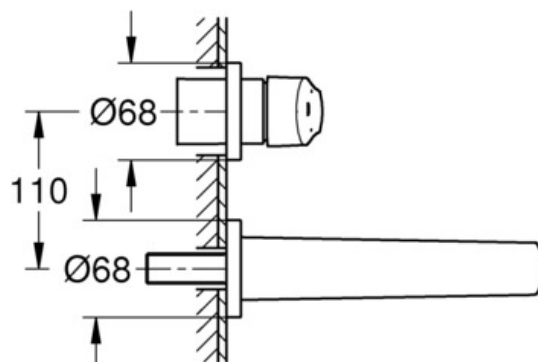
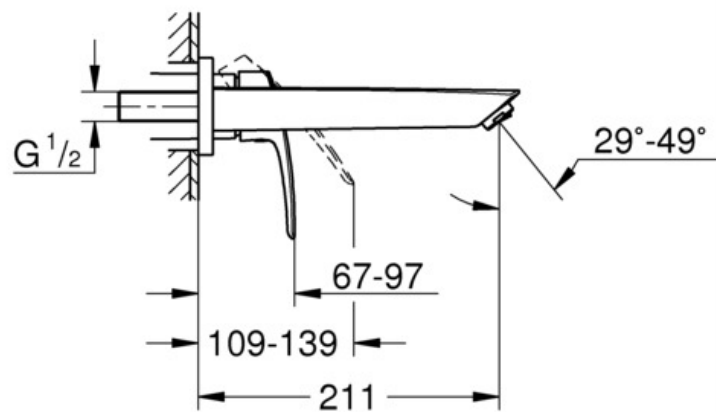
Product Specifications

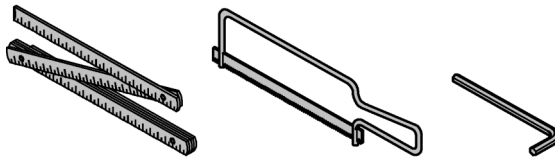


Product Description:
Single Lever Wall Basin mixer trim set

Standard Specification:
Trimset only, not supplied with concealed body.
Concealed Inwall Body for installation - 23842001

GROHE StarLight® chrome finish
GROHE SilkMove® 35 mm Ceramic Cartridge
GROHE EcoJoy® Mousseur (Aerator)

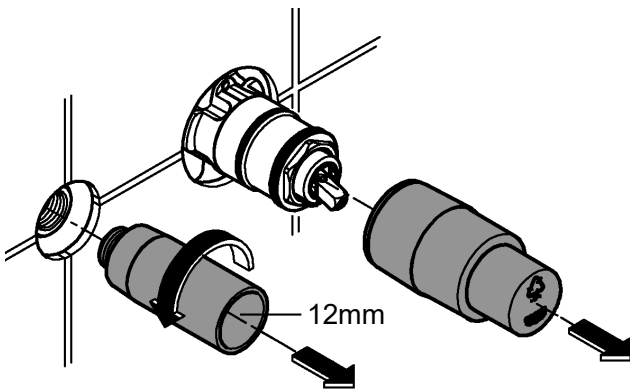




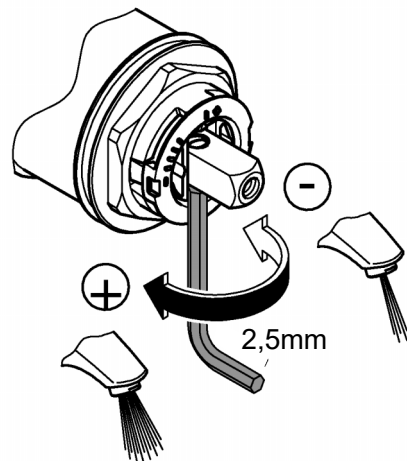
*19 332
32mm



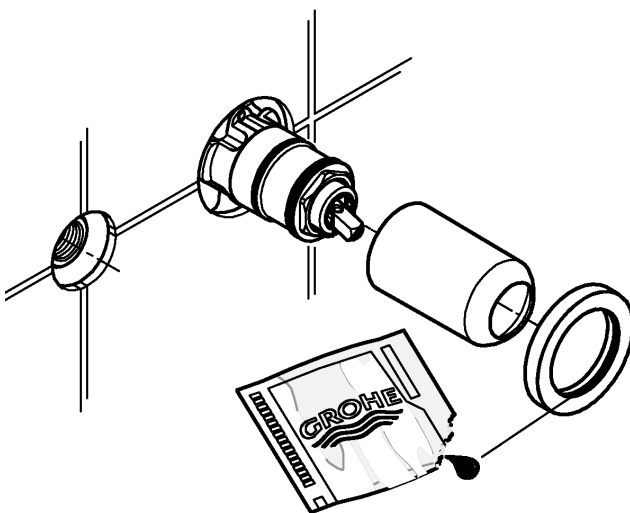
1



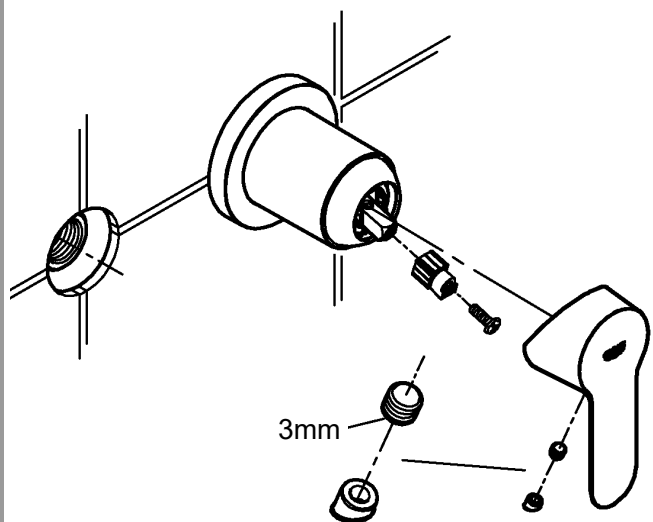
2



3

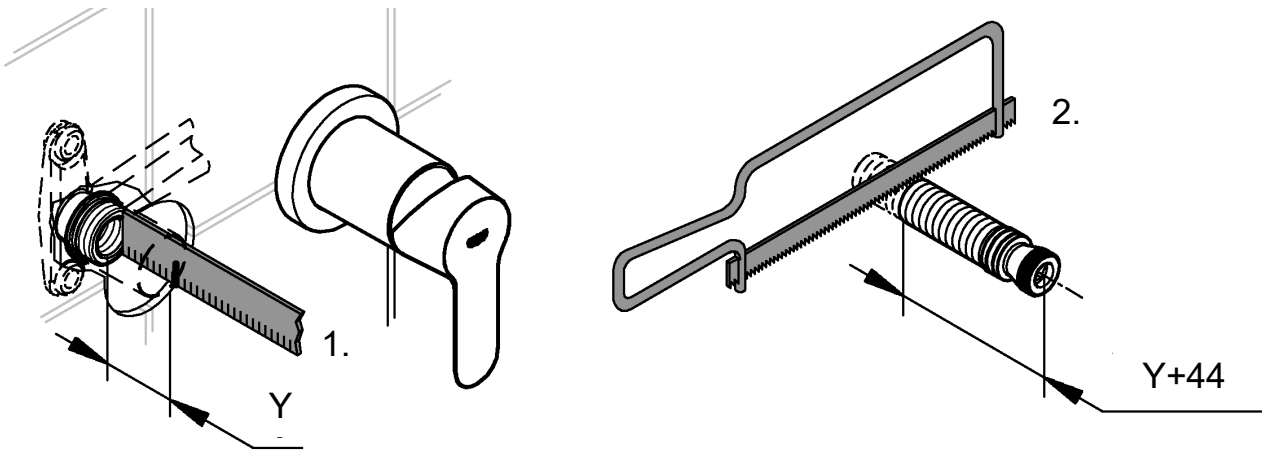


4

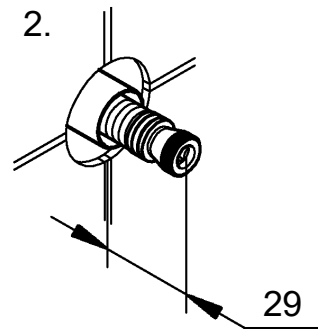
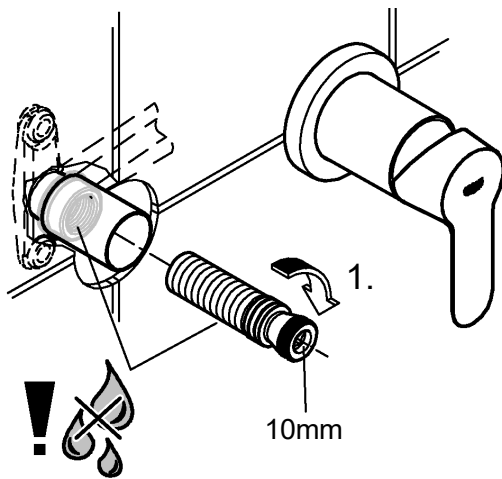




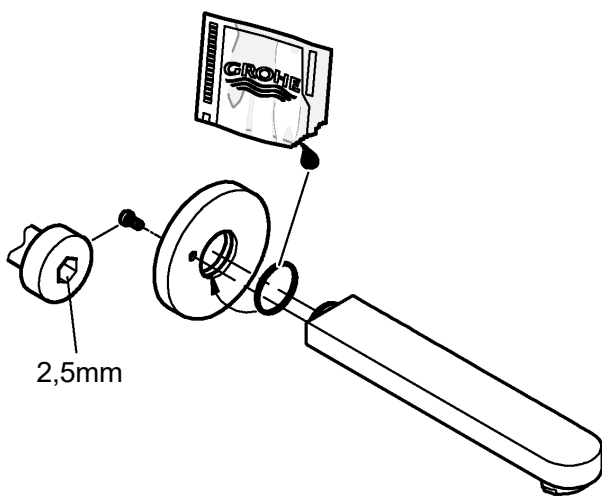
5



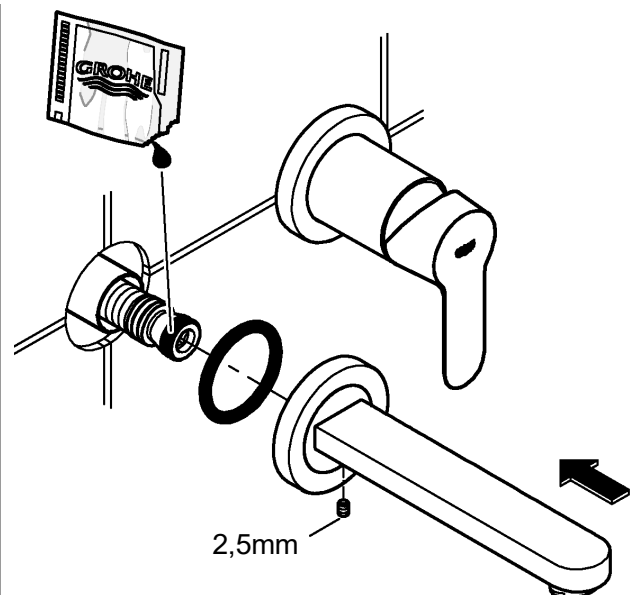
6

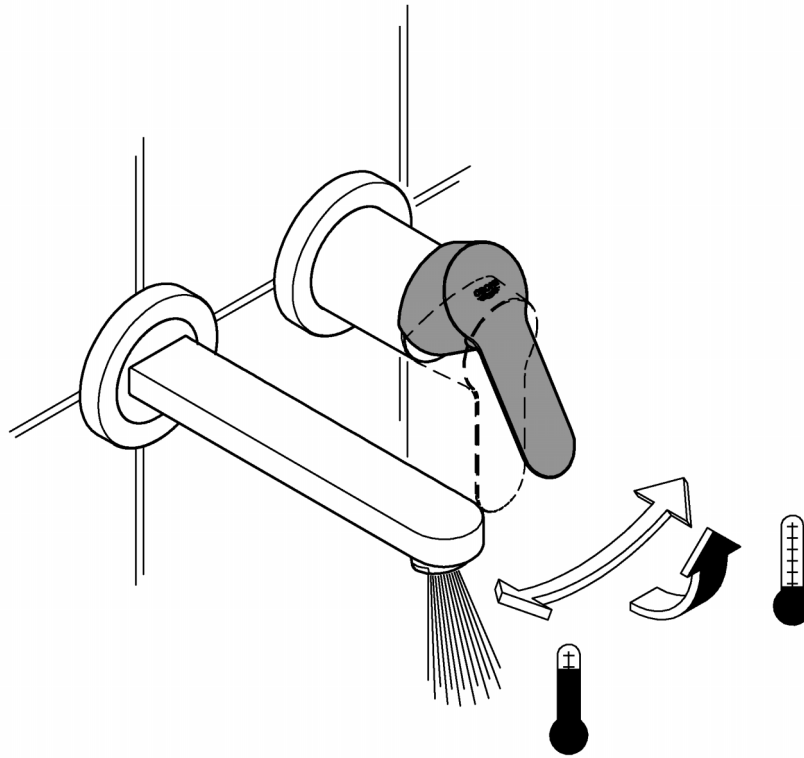
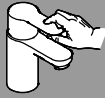


7

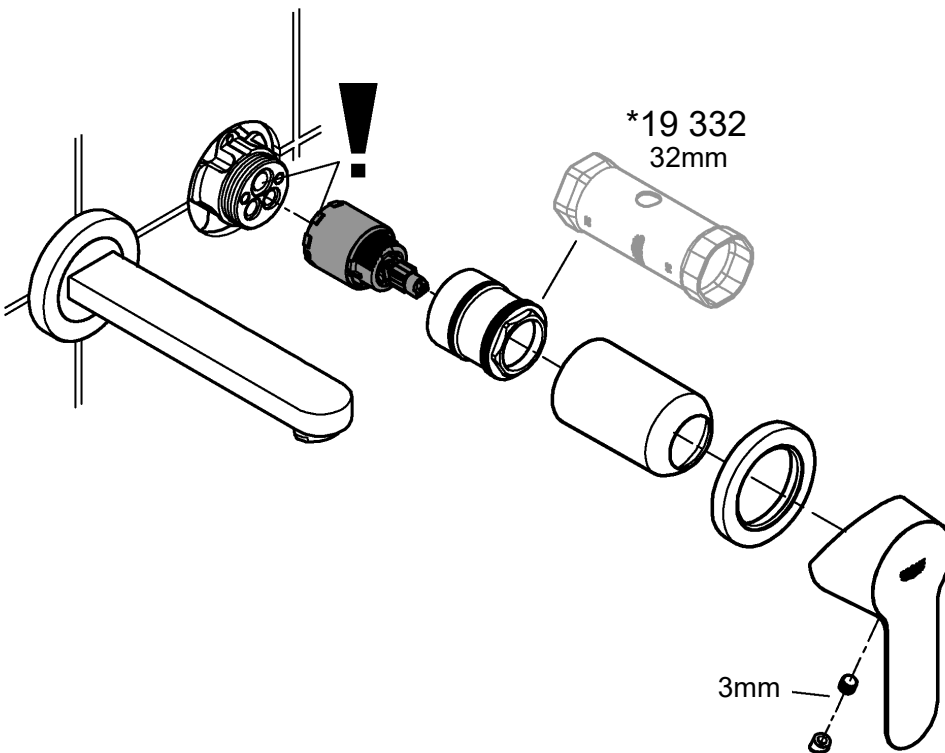


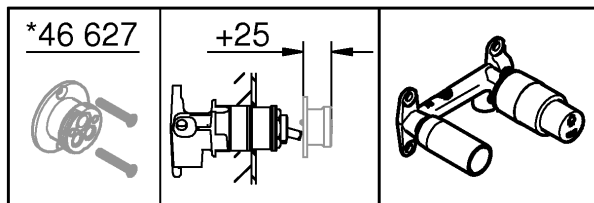
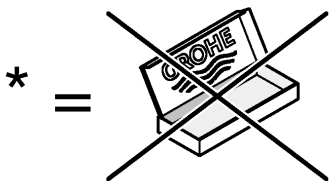
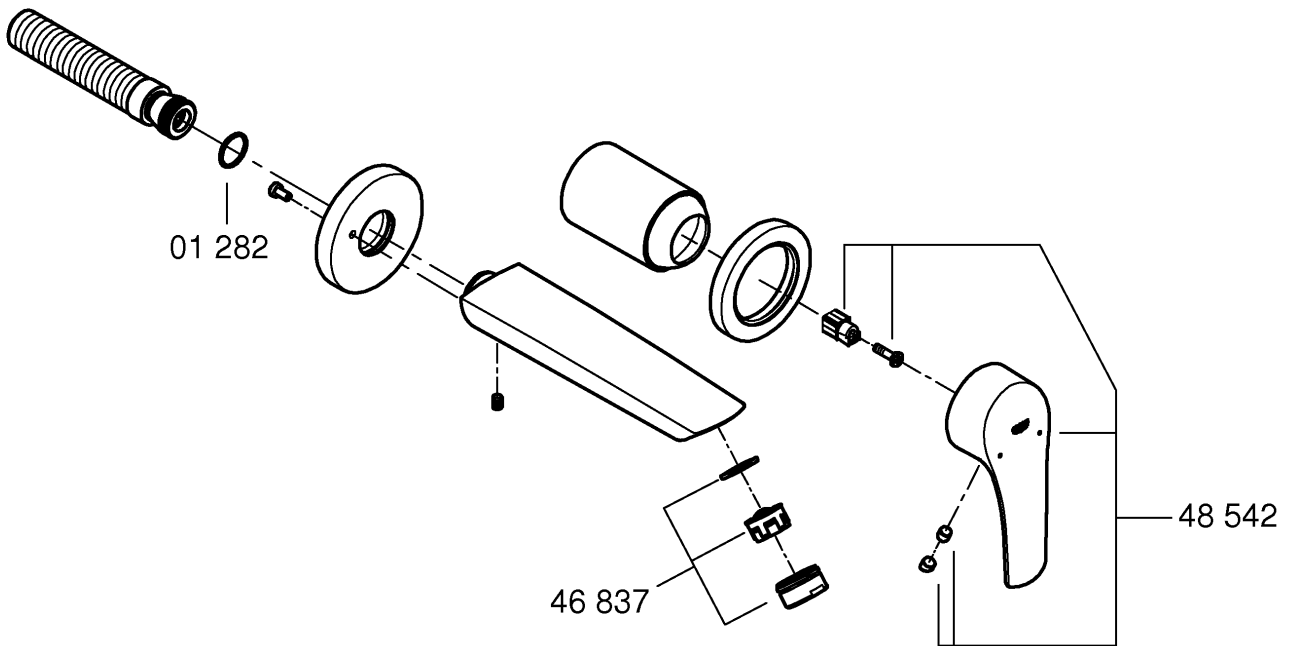
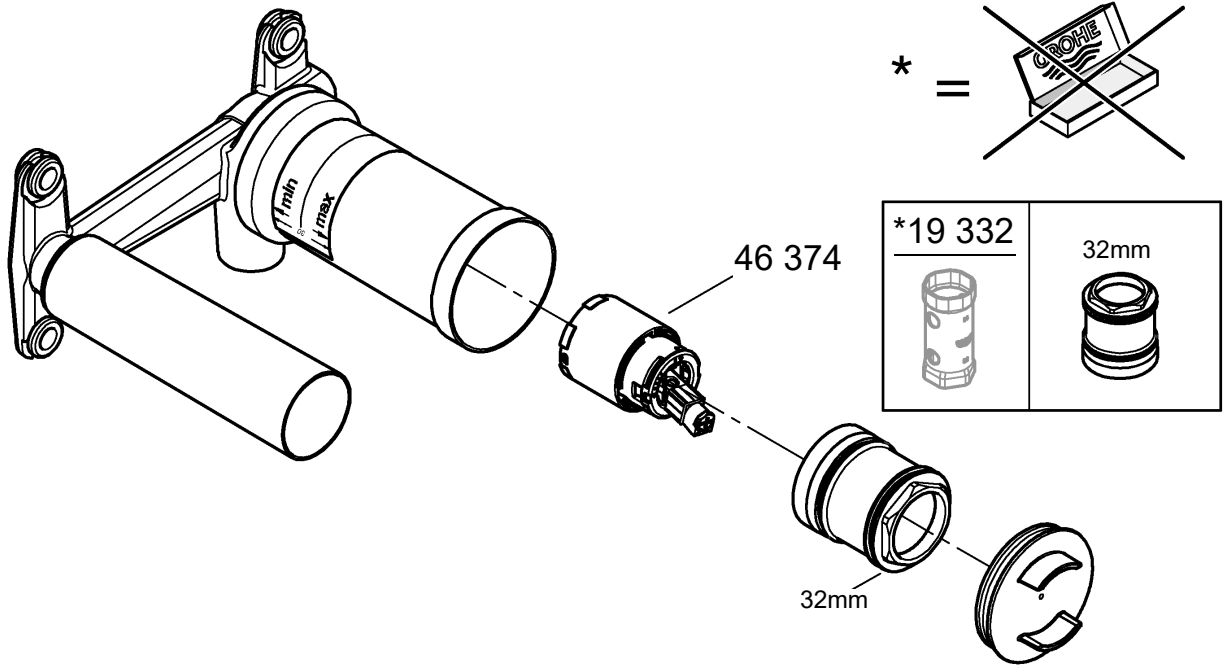
8





MAINTENANCE 





Application

- for basin

Can be used in conjunction with:

- Pressurised storage heaters
- Thermally controlled instantaneous heaters
- Hydraulically controlled instantaneous heaters

Operation with unpressurised storage heaters (open water heaters) is **not** possible.

Specifications:

- Flow pressure min. 50 kPa - recommended 350 - 500 kPa
- Operating pressure max. 1000 kPa

If static pressure is greater than 500 kPa, fit pressure reducer. Avoid major pressure differences between hot and cold water supply.

- Flow rate at 300 kPa flow pressure approx. 5 L/min
- Temperature
 - Hot water inlet: (maximum) 70 °C
 - Recommended: (energy saving) 60 °C
 - Thermal disinfection possible



Installation

Flush piping system prior and after installation of fitting thoroughly (Consider EN 806)!

This product must be installed in conformance with local codes e.g. AS/NZS 3500 series of standard!

Installation, see Fig. [1] - [8].

Refer to the dimensional drawing.

1. Determine dimension "Y" from upper edge of concealed mixer housing to the face of tiles.
2. Cut connection nipple to length so that the installation dimension is "Y" + **44mm**.

Using a 10mm allen key, screw the connection nipple into the concealed housing so that the installation dimension is **29mm**. Tighten spout from below using a 2.5mm allen key.

Installation Instructions

Flush piping system prior and after installation of fitting thoroughly!

This product must be installed in conformance with local codes e.g. AS/NZS 3500 series of standard!

Installation and connection, see Figs [1] to [6].

Refer to the dimensional drawing. To be installed with 33961000 concealed body. **PLEASE NOTE** – Face of noggins need to be positioned a minimum of 43mm & a maximum of 73mm from where the finished wall surface will end up.

Open cold and hot-water supply and check connections for watertightness!



Check fitting for correct operation.



Flow rate limiter.

This mixer is fitted with a flow rate limiter, permitting an infinitely individual variable reduction in the flow rate.

The highest possible flow rate is set by the factory before despatch.

The use of flow rate limiters in combination with hydraulic instantaneous water heaters is not recommended.



Maintenance

Inspect and clean all parts, replace as necessary and grease with special grease.

Shut off cold and hot water supply!

Replacing the cartridge.

Assemble in reverse order.

Observe the correct installation position!

Make sure that the cartridge seals engage in the grooves on the housing. Screw in and tighten screwing.



Replacement parts (* = special accessories).

Care

For directions on the care of this fitting, refer to the accompanying Care Instructions.

Note:

When installing concealed mixer body, please note it must be mounted onto timber or solid walls using appropriate reinforcement to ensure sufficient strength.

Open cold and hot water supply and check connections for leakage!

Care

For directions on the care of this fitting, please refer to the accompanying care instructions.

AUS

Reece Australia Pty Ltd
118 Burwood Hwy
Burwood VIC 3125

Tel.: +61 3 9274 0000
Email: admin@reece.com.au



NZ

Robertson
25 Vestey Drive
Mt Wellington, Auckland

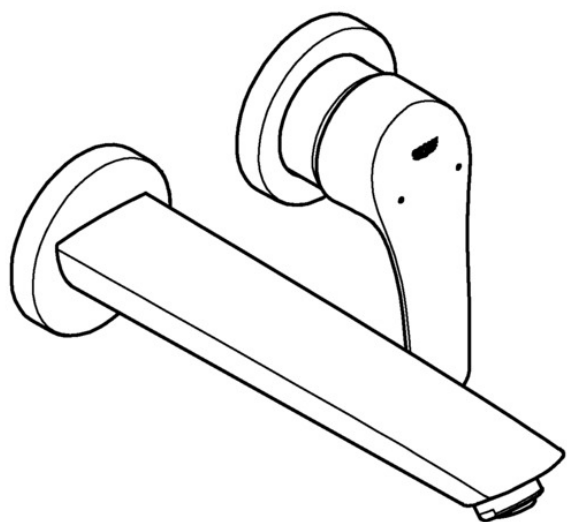
Tel.: +64 9 5730490
Email: sales@robertson.co.nz

EUROSMART NEW
WALL BASIN TRIMSET
MODEL # 29349003

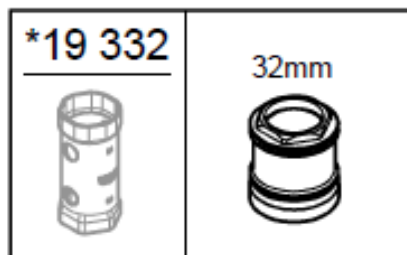
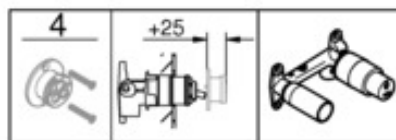
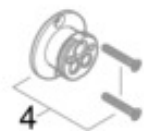
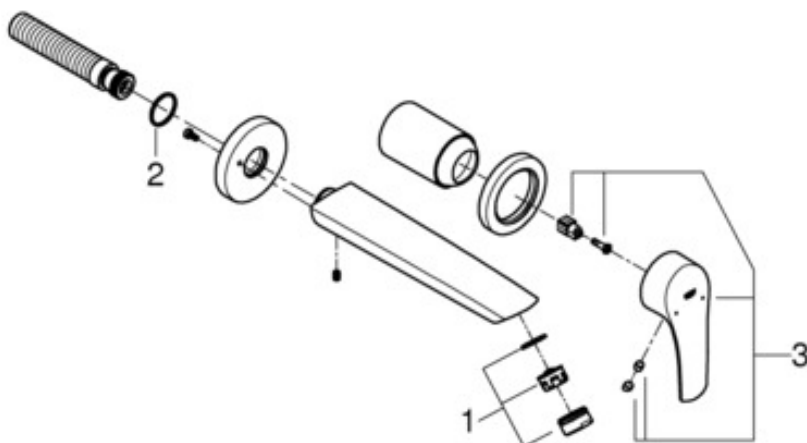
Pure Freude
an Wasser



Spare Parts



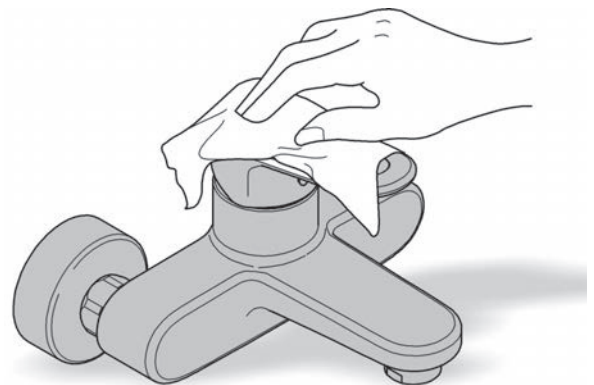
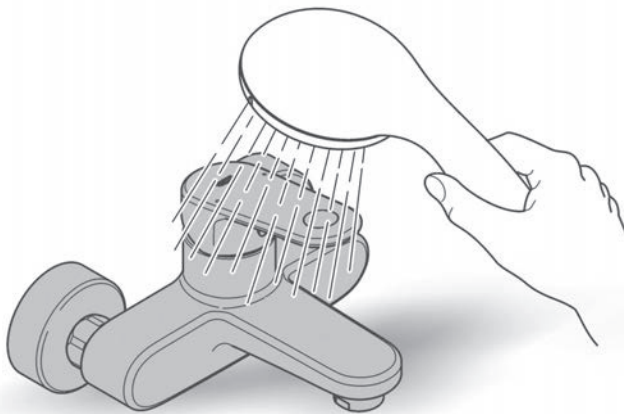
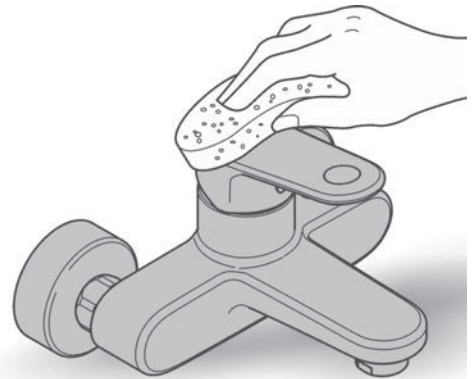
Pos.-nr.	Product Description	Order-nr.	Units per package
1	Aerator	46837000	1
2	O Ring	01282000	1
3	Lever	48542000	1
4	Extension set 1/2" 25 mm - optional extra	46627000	1
5	Socket Wrench - optional extra	19332000	1



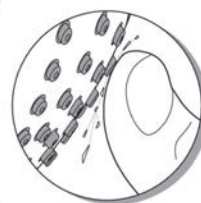
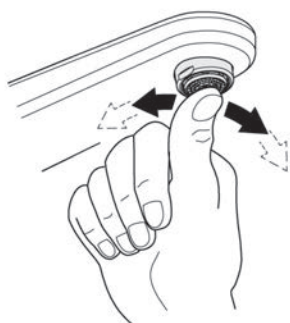
5 —



48166000



SpeedClean



Pure Freude
an Wasser

GROHE


D

+49 571 3989 333
impressum@grohe.de

A

+43 1 68060
info-at@grohe.com

AUS

+1300 054 945
grohe_australia@lixil.com

B

+32 16 230660
info.be@grohe.com

BG

+359 2 9719959
grohe-bulgaria@grohe.com

CAU

+99 412 497 09 74
info-az@grohe.com

CDN

+1 888 6447643
info@grohe.ca

CH

+41 448777300
info@grohe.ch

CN

+86 21 63758878

CY

+357 22 465200
info@grome.com

CZ

+420 277 004 190
grohe-cz@grohe.com

DK

+45 44 656800
grohe@grohe.dk

E

+34 93 3368850
grohe@grohe.es

EST

+372 6616354
grohe@grohe.ee

F

+33 1 49972900
marketing-fr@grohe.com

FIN

+358 10 8201100
teknocalor@teknocalor.fi

GB

+44 871 200 3414
info-uk@grohe.com

GR

+30 210 2712908
nsapountzis@ath.forthnet.gr

H

+36 1 2388045
info-hu@grohe.com

HK

+852 2969 7067
info@grohe.hk

I

+39 2 959401
info-it@grohe.com

IND

+91 124 4933000
customercare.in@grohe.com

IS

+354 515 4000
jonst@byko.is

J

+81 3 32989730
info@grohe.co.jp

KZ

+7 727 311 07 39
info-cac@grohe.com

LT

+372 6616354
grohe@grohe.ee

LV

+372 6616354
grohe@grohe.ee

MAL

+1 800 80 6570
info-singapore@grohe.com

N

+47 22 072070
grohe@grohe.no

NL

+31 79 3680133
vragen-nl@grohe.com

NZ

+09 573 0490
sales@robertson.co.nz

P

+351 234 529620
commercial-pt@grohe.com

PL

+48 22 5432640
biuro@grohe.com.pl

RI

+62 21 2358 4751
info-singapore@grohe.com

RO

+40 21 2125050
info-ro@grohe.com

ROK

+82 2 559 0790
info-singapore@grohe.com

RP

+63 2 8041617

RUS

+7 495 9819510
info@grohe.ru

S

+46 771 141314
grohe@grohe.se

SGP

+65 6 7385585
info-singapore@grohe.com

SK

+420 277 004 190
grohe-cz@grohe.com

T

+66 2610 3685
info-singapore@grohe.com

TR

+90 216 441 23 70
GroheTurkey@grome.com

UA

+38 44 5375273
info-ua@grohe.com

USA

+1 800 4447643
us-customerservice@grohe.com

VN

+84 8 5413 6840
info-singapore@grohe.com

AL **BIH** **HR** **KS**

ME **MK** **SLO** **SRB**

+385 1 2911470
adria-hr@grohe.com

**Eastern Mediterranean,
Middle East - Africa
Area Sales Office:**

+357 22 465200
info@grome.com

IR **OM** **UAE** **YEM**

+971 4 3318070
grohedubai@grome.com

Far East Area Sales Office:

+65 6311 3600
info@grohe.com.sg