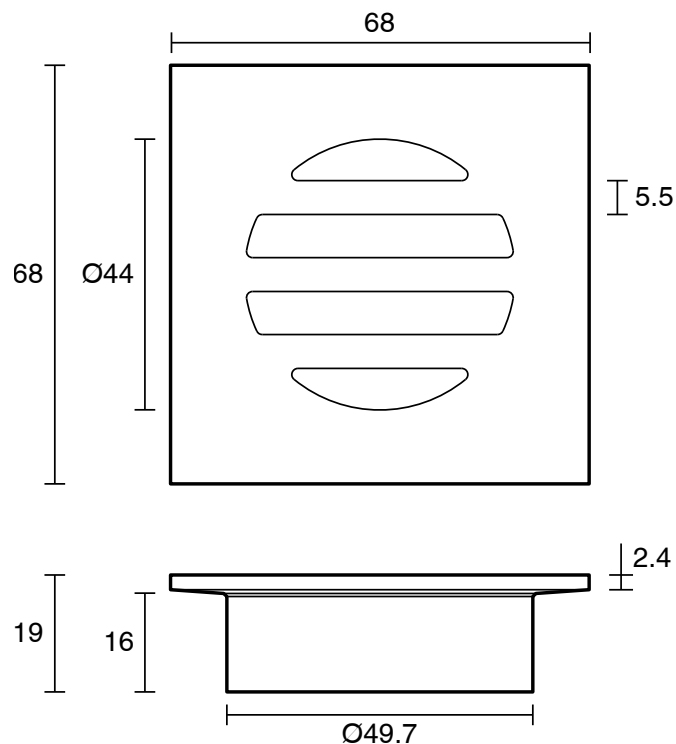


mizu

Mizu Drift Drop In Grate Square 50mm Brushed Gunmetal

9512199

| SPECIFICATIONS | |
|--|------------------------------|
| Recommended Use | Domestic, Hotel & Commercial |
| Material | Brass |
| Colour | Brushed Gunmetal |
| Finish | Brushed |
| Waste Size | 50 mm |
| WARRANTY | |
| Replacement Only - Domestic Use | 12 Months |
| <i>Please refer to Warranty Page for full Terms and Conditions</i> | |



Dimensions are nominal measurements only.

CLEANING RECOMMENDATIONS:

We recommend using a soft cloth or moist sponge with soapy water or mild detergent. Rinse with clean water, towel dry after cleaning. Clean regularly to protect surface finish. Do not use chemical or abrasive cleaners, avoid using a scrubbing brush or scourer sponge to clean. A soft brush can be used for hard to reach places. Damage caused by any improper treatment is not covered by the product warranty. Refer to Warranty Conditions.

Disclaimer: Products in this specification manual must by regulation be installed by licensed and registered trade people. The manufacturer/distributor reserves the right to vary specifications or delete models from their range without prior notification. Dimensions are nominal measurements only. Dimensions and set-outs listed are correct at time of publication however the manufacturer/distributor takes no responsibility for printing errors.

Published 03/05/2023

To see the complete Mizu range go to www.reece.com.au

