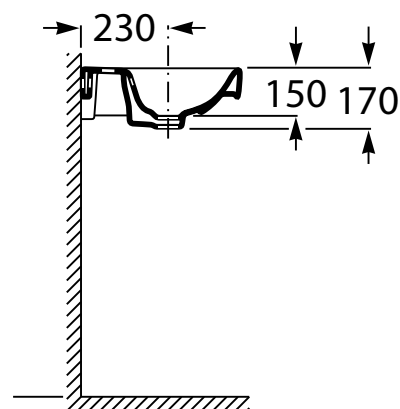
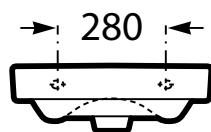
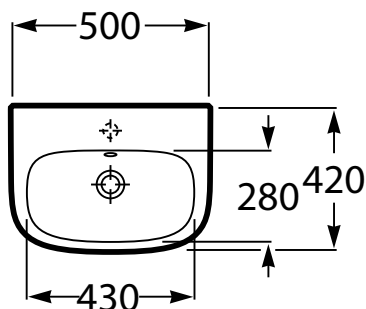


ROCA

DEBBA WALL BASIN 500MM



Dimensions are nominal measurements only.

SPECIFICATIONS

Recommended use	Domestic, Hotel & Commercial
Material	Vitreous China
Colour	White
Capacity	3.5 Litres
Weight	14.5kg
Taphole availability	1 Taphole
Overflow	Yes
Plug and waste	Suits 32 x 40mm Overflow Waste (not supplied)
Fixing	Bolted to wall using Fixing Bolts (supplied)



To see the complete ROCA range go to www.reece.com.au/bathrooms

CLEANING RECOMMENDATIONS

We recommend the use of soapy water or approved cleaners.

This product should not be cleaned with abrasive materials.

Damage caused by any improper treatment is not covered by the product warranty. Refer to Warranty Conditions.

ROCA

DEBBA WALL BASIN 500MM

INSTALLATION INSTRUCTIONS

Note: All measurements are taken from finished wall and floor. If basin is installed at different height to that recommended, all other measurements must be adjusted accordingly. If fixing to timber framed walls or partitioning, the wall should be reinforced with noggins to receive fixing bolts/screws.

- Drill holes into walls at recommended height and fixing centres and install fixing bolts supplied (fig 1).
- Fit selected tapware to basin. Fit the supplied overflow waste to basin ensuring it is sealed with silicone on top.
- Carefully align basin complete with fittings onto protruding bolts.
- Insert nylon bushes and locking nut and partially tighten lock nuts to hold basin into position. Make minor adjustments at this stage to ensure basin is level and then fully tighten lock nuts. Do not over tighten.
- If desired all visible external edges can be joint sealed using flexible sealant ensuring to wipe off any excess.

