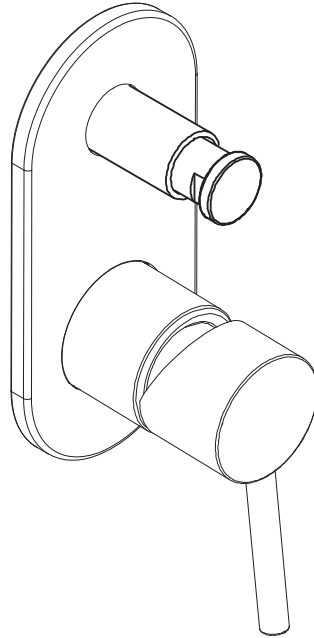
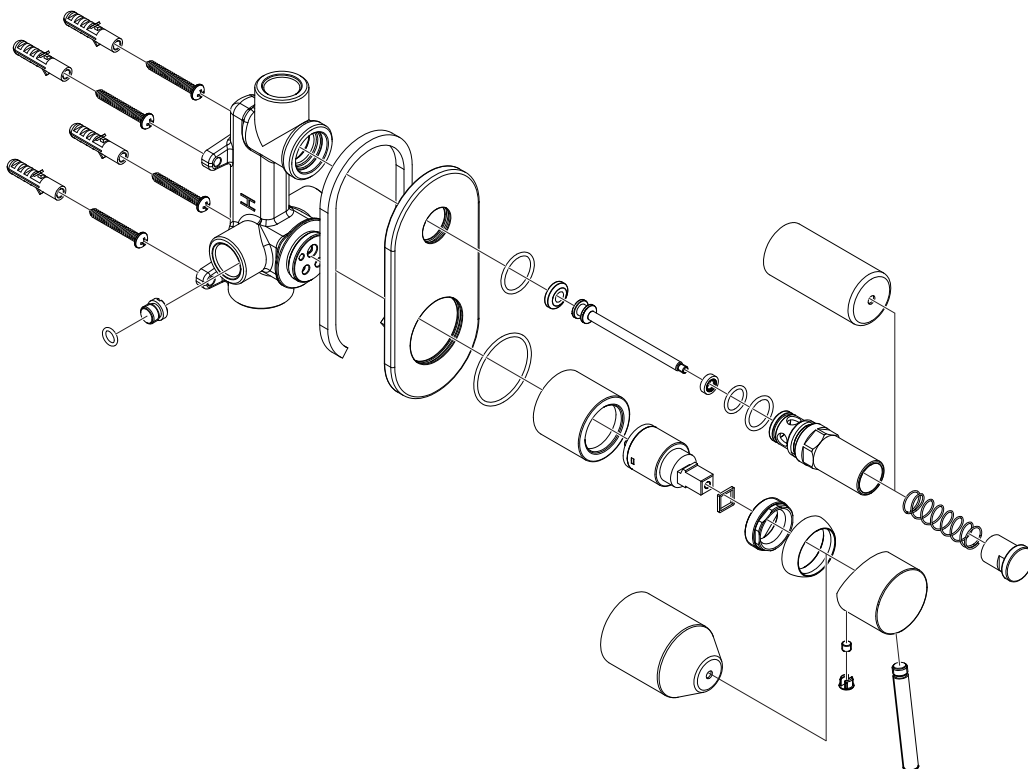


mizu

Mizu Drift MK2 Shower Mixer With Diverter



Diagram



Installation Instructions



Mixer must be installed to the requirements of AS/NZS 3500 by a qualified plumber. The mixers are factory tested and sealed so as to give the best performance.

Installation



Flush out new pipe work prior to connecting the new mixer.

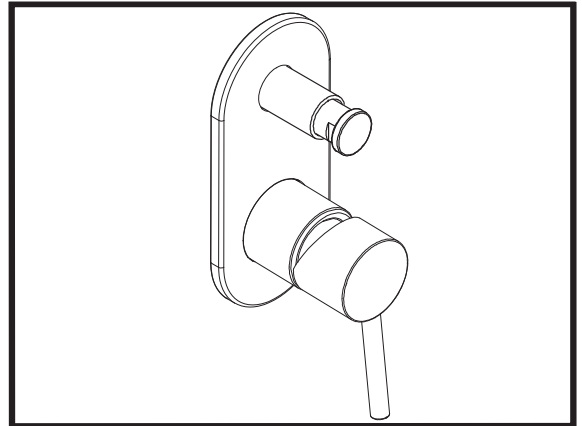


During installation protect the exposed finish surface by using the plastic protective cover provided. Please pay attention to the minimum/maximum depth.

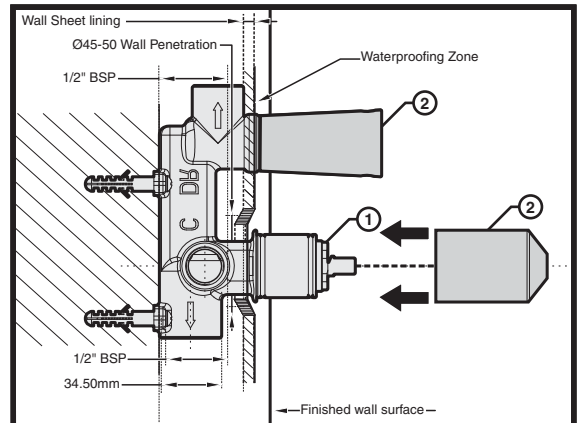


Waterproofing and sealant materials are used to seal against moisture or water penetration to ensure integrity of the wall sheet lining structure. It must not interfere with the removal of the protective cover and installation of the mixer trim components. The installing plumber is responsible for waterproofing the shower mixer penetration AS 3740 - Waterproofing of Domestic Wet Areas.

Note: This tap is suitable for applications where both hot and cold water supply pressures are at 150kPa - 500kPa.



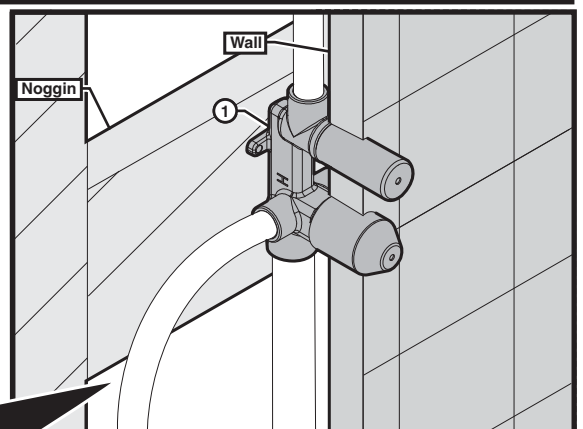
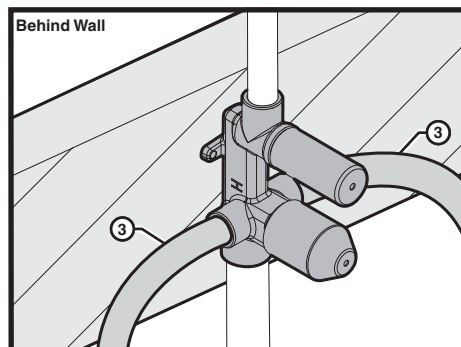
Waterproofing / sealant materials must be clear of the Protective Cover (2) and the surface it protects (1) to allow for removal of the protective cover and mixer trim set for fit off.



1. Connect Mixer (1) to hot and cold Water Supply (3).
2. Pressure check all connections.
3. Connect shower pipework to the top outlet and bath pipework to the bottom outlet.

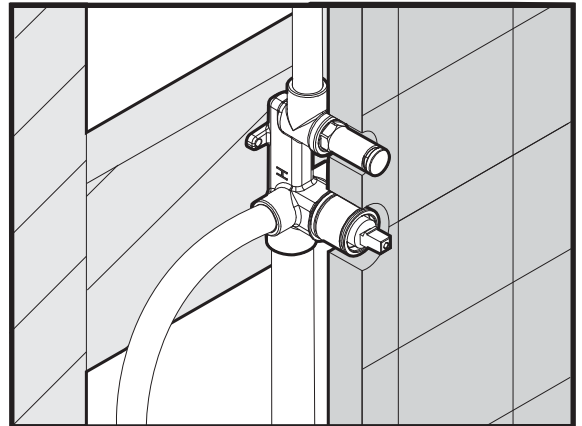
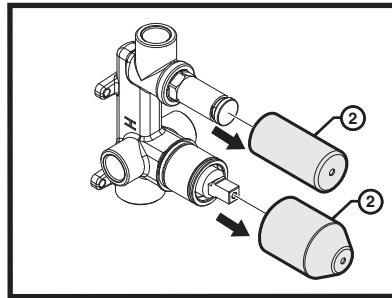


Leaking joints are not covered by the warranty.

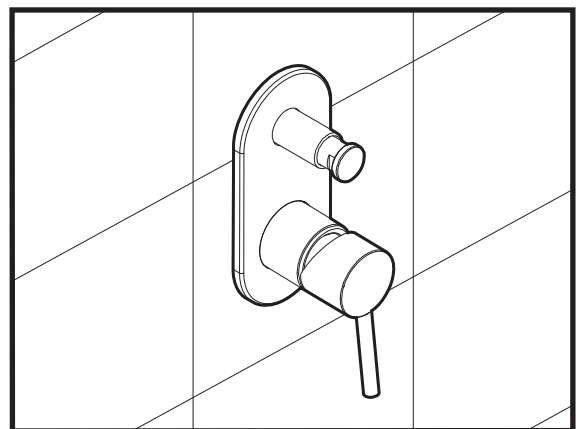
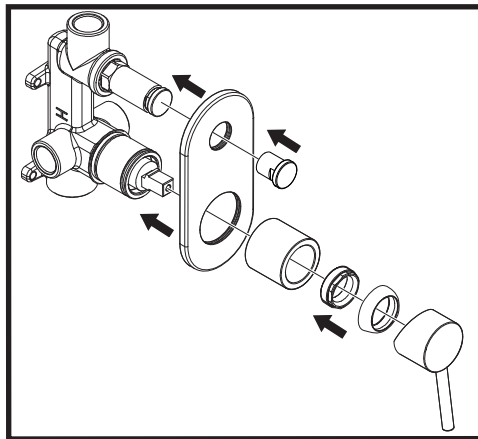


mizu

1. When the wall is finished (eg. tiled), remove the protective covers (2).

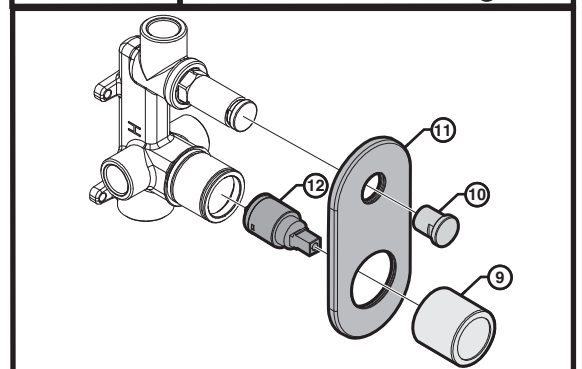
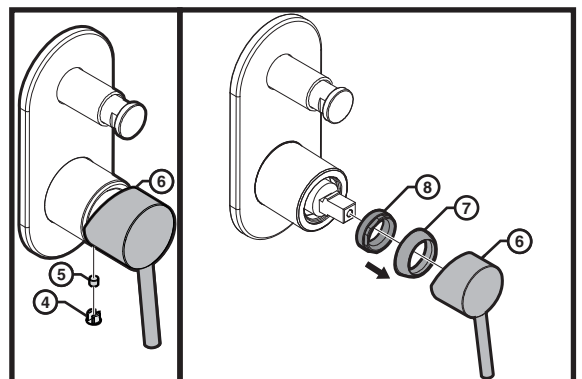


2. Fit the Shower Mixer Diverter Trim Set to finished wall.



Servicing - Replacement of Cartridge

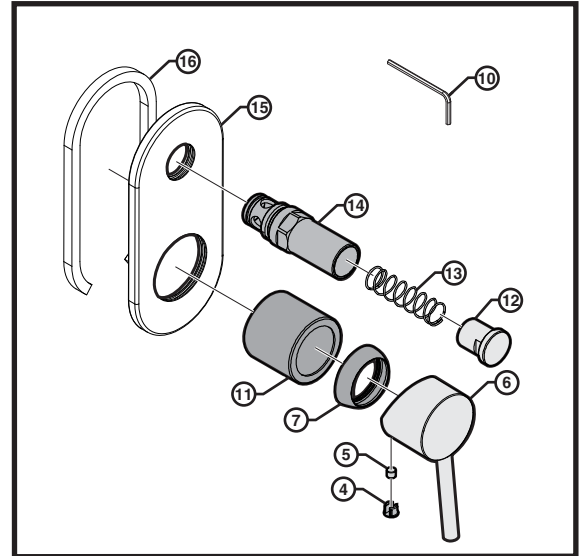
1. Remove Decorative Cover (4) and unscrew the Grub Screw (5) using an allen key.
2. Lift off the Handle (6) and remove the Cartridge Dome (7), unscrew the Brass Locking Nut (8).
3. Remove Cartridge Sleeve (9), Diverter Assembly (10) and Back Plate (11).
4. Lift out the Cartridge (12).
5. Re-fit the Cartridge (12), Cartridge Sleeve (9), Diverter Assembly (10), Back Plate (11), Locking Nut (8), Cartridge Dome (7) and Handle (6).
6. Tighten Grub Screw (5) and push in Decorative Cover (4).



Replacement of Trim Set

The Mizu Universal Inwall Body is an innovative installation system that allows for separation of the inwall body from the trim set kit. Once the Universal Inwall Body is installed, the retrofittable trim set kit can be updated to another choice of finish from the Mizu Drift MK2 range or a design and finish change from the Mizu Silk range.

1. Remove Decorative Cover (4) and unscrew the Grub Screw (5) using Allen Key (10).
2. Lift off the Mixer Handle (6) remove Cartridge Dome (7) and Cartridge Sleeve (11).
3. Disassemble Diverter and Remove Diverter (12-14)*
4. Remove mixer Backplate Set (15).
5. Reassemble trim set from desired range.



MIZU DRIFT MK2 SHOWER MIXER WITH DIVERTER						
Number	Part	Quantity	Chrome	Matte Black	Brushed Nickel	Brushed Gun Metal
4-16	Mizu Drift Mk2 Shower Diverter Mixer Trimset	1 Set	2263866	2263867	2263868	2263869
4-6	Mixer Handle Set Complete	1	2216038	2216039	2216040	2216041
7	Concealed Wall Mixer Cap	1	9510666	9510667	9510668	9510669
11	Concealed Wall Mixer Cartridge Sleeve	1	9510662	9510663	9510664	9510665
15-16	Concealed Shower Mixer Plate Set	1	2216046	2216047	2216048	2216049
12-14	Shower Mixer Diverter Set	1	2216050	2216051	2216052	2216053
10	Allen Key 2.5mm	1				

Care Details

We recommend the use of soapy water or approved cleaners. This product should not be cleaned with abrasive materials. Damage caused by any improper treatment is not covered by the product warranty. Refer to Warranty Conditions

Plumbers, please ensure a copy of the installation instruction is left with the end user for future reference.

