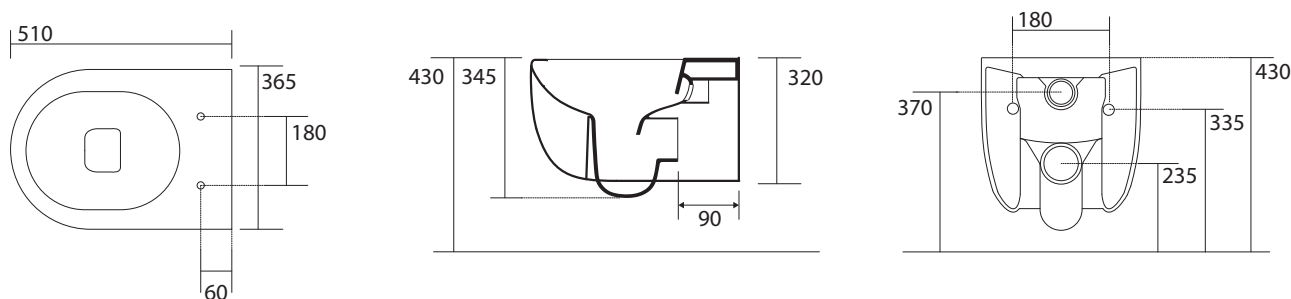


AXA

AXA UNO RIMLESS WALL HUNG PAN



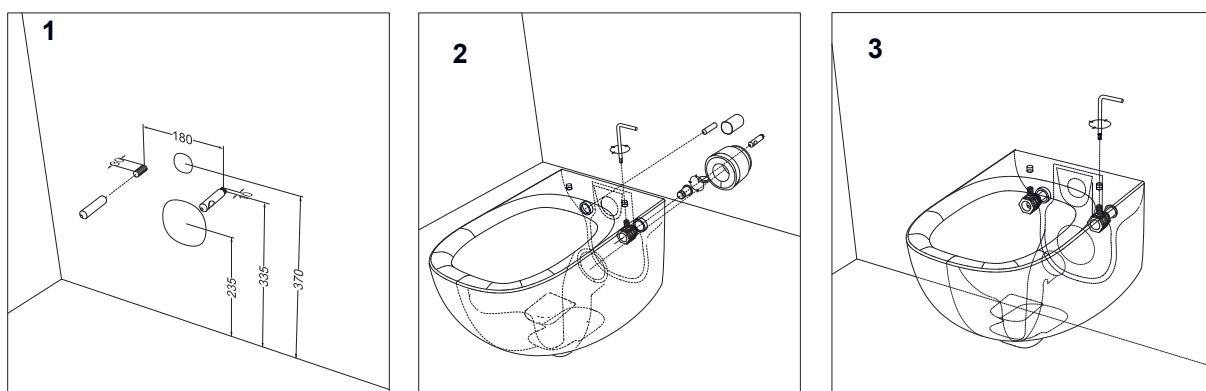
INSTALLATION INSTRUCTIONS

Note:

In all circumstances the wall onto which the pan is mounted shall be capable of supporting the pan and load without deflection.

All measurements for roughing in should be taken from finished wall/floor. Cistern/wall mounting brackets are not supplied, but fixing kit is. Dimensions shown are nominal measurements only.

1. Rough in positions of water inlet and waste outlet.
2. Screw the fixing bolts onto the protruding all thread ensuring that the cut out is pointing outward (diagram 1). Protruding all thread will need to be cut to size.
3. Insert fixing plugs into the wall fixing holes (diagram 2). Carefully install pan onto brackets and fix into position with allen key provided.
4. Ensure pan is level before tightening.
5. Flush pan to check connections for leaks.
6. Apply flexible sealant around rear of pan to seal to wall.



Dimensions are nominal measurements only.

Plumbers, please ensure a copy of the installation instructions is left with the end user for future reference.