

BWT WATER FILTRATION

Protecting what matters
through innovative
water filtration



For You and Planet Blue.



IMPORTANCE OF FILTRATION

Why and How

The issue

Many people are surprised to learn that foreign particles such as sand, rust flakes, coarse material, and lime deposits can enter their water. Upon entering, they can cause corrosion and clog household pipes, leading to the growth of mould and bacteria, threatening not only their health but also their families. These foreign particles and contaminants can enter the pipework in a number of ways:

1. Due to ageing or corroding pipe work
2. Broken or damaged water mains
3. Poor quality water supplies
4. Environmental factors
5. During pipe maintenance
6. During pipe replacement



The solution

Best Water Technology (BWT) backwash filters will significantly reduce the existence of these foreign particles and contaminants in a domestic and commercial setting. They do so through innovative filtration technology, that comes with a 7 year product warranty. For the best results, these units should be installed on the mains water supply to a premise.



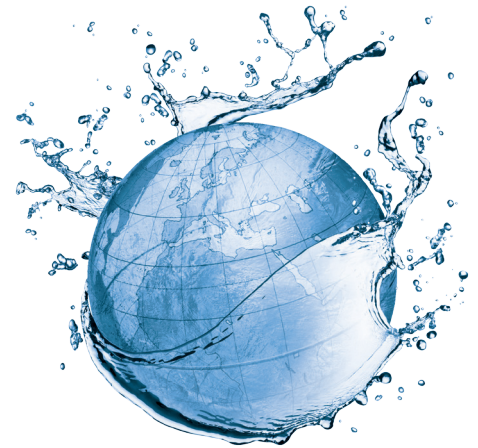
BWT

Who is Best Water Technology

Europe's No. 1 in Water Technology

Best Water Technology (BWT) has over 100 years' experience in manufacturing state-of-the-art water filtration, purification, and treatment products, along with a passion to preserve the global resources of our blue planet.

Today, the BWT group is Europe's leading water technology company, working to provide customers in private homes, industry, business, hotels, and communities with high standards of security, hygiene, and health in their daily contact with water. BWT do this through innovative, economical, and environmental water treatment technologies.



100 Years +
Experience in
manufacturing

70 Countries
Where you can find BWT
products

3,300 +
Personnel employed
world wide

7 Year Warranty
Class leading peace of
mind



Reece Extended Warranty Available

* Install a BWT Filter with your newly purchased kitchen and bathroom Value Added Products from Reece, and we will extend your warranty on those products by 3 years. This applies only to products with a 7 year warranty or more. Except BASE products which have an extended 2 year warranty. Applies only to Avanti, Infinity and Multipur Units.

BACKWASH RANGE

Domestic Technology

Why install a domestic backwash filter

BWT backwash filters will significantly reduce the build-up of foreign particles and contaminants known to cause:

- Clogging and damage of taps, valves and shower heads, resulting in a decrease in water pressure
- Damage to seals and gaskets
- Pipe corrosion, that can overtime cause the pipes to breakdown and spilt
- Mould and bacteria growth

Suitable applications

- Domestic
- Rainwater
- Irrigation
- Pre-filtration
- Industrial
- Beverage equipment
- Food preparation areas
- Commercial use and high rise buildings if required

Designed to protect

BWT backwash filters will also protect appliances and fittings from the impact of unwanted particles including:

- Bathroom taps and mixers
- Shower heads
- Bath outlets
- Kitchen taps and mixers
- Washing machines
- Dishwashers
- Water filter taps
- Refrigerators
- Boiling and chilled water units
- Toilets and in wall cisterns
- Hot water units
- Hot water valves
- Sprinklers garden taps
- Extends life of filter cartridges



BACKWASH RANGE

Domestic Technology



1 **Infinity** Automatic Backwash

- Available in a 25mm and 50 mm unit
- 25mm unit has a flow rate of 60 L/min
- 50mm unit has a flow rate of 252 L/min
- Hands free operation
- 2 phase backwash ability
- 90 micron sediment filter
- Low rinsing water consumption
- Dual check valve backflow prevention device
- 7 year warranty



2 **Avanti** Manual Backwash

- Available in a 25mm and 50 mm unit
- 25mm unit has a flow rate of 60 L/min
- 50mm unit has a flow rate of 252 L/min
- Manual operation
- 2 phase backwash ability
- 90 micron sediment filter
- Low rinsing water consumption
- Dual check valve backflow prevention device
- 7 year warranty

BACKWASH RANGE

Commercial Technology

Why install a commercial backwash filter

BWT commercial backwash filters will significantly reduce the build-up of foreign particles and contaminants known to cause:

- Clogging and damage of taps, valves and shower heads, resulting in a decrease in water pressure
- Damage to seals and gaskets
- Pipe corrosion, that can overtime cause the pipes to breakdown and spilt
- Mould and bacteria growth

In addition, commercial backwash filters also have:

- A higher contaminant and particle holding capacity, which will also reduce required backwash frequency
- The ability to handle higher required flow rates

Suitable applications

- Commercial
- High rise buildings
- Pre-filtration
- Rainwater
- Industrial
- Irrigation
- Beverage equipment
- Food preparation areas



Designed to protect

In addition to protecting domestic appliances and fittings, BWT commercial backwash filters are specifically designed to reduce the impact of unwanted particles and protect investments and assets such as:

- Cooking equipment
- Cleaning equipment
- Swimming pool filters
- Hot water services
- Heating systems
- Cooling systems
- Air conditioning systems
- Disinfection systems
- Fire service systems
- Pharmaceutical equipment
- Process water equipment



BACKWASH RANGE

Commercial Technology



3 Multipur DN65

- 65mm flange connection
- Hands free operation
- 2 phase backwash ability
- Has a flow rate of 367 L/min
- Differential pressure control
- Backwash timer can be set anywhere from 1hr to 56 days
- 90 micron sediment filter
- Low rinsing water consumption
- Dual check valve backflow prevention device
- 7 year warranty



4 Multipur DN80

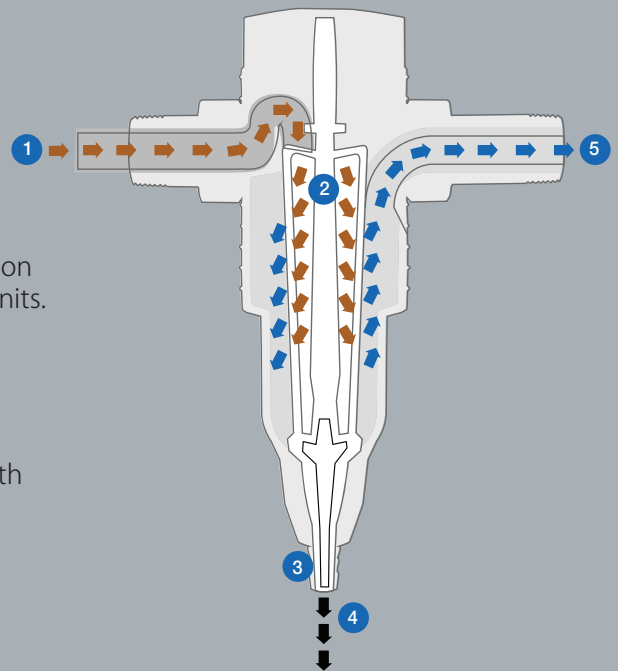
- 80mm flange connection
- Hands free operation
- 2 phase backwash ability
- Has a flow rate of 600 L/min
- Differential pressure control
- Backwash timer can be set anywhere from 1hr to 56 days
- 90 micron sediment filter
- Low rinsing water consumption
- Dual check valve backflow prevention device
- 7 year warranty

BACKWASH RANGE

Technical Information

How

1. Water enters the filter and flows through the filter element.
2. The foreign particles are then retained in the filter element.
3. The foreign particles are washed out of the filter during the backwashing process. This involves simply turning the knob on the Avanti or setting the timer on the Infinity and Multipur units. The frequency is dependent on the water quality. If you are uncertain, backwash once per week.
4. Only a small volume of water is required for backwashing with minimal impact on water pressure to the house or property.
5. Fresh, clean water flows into the home, building or other structure.



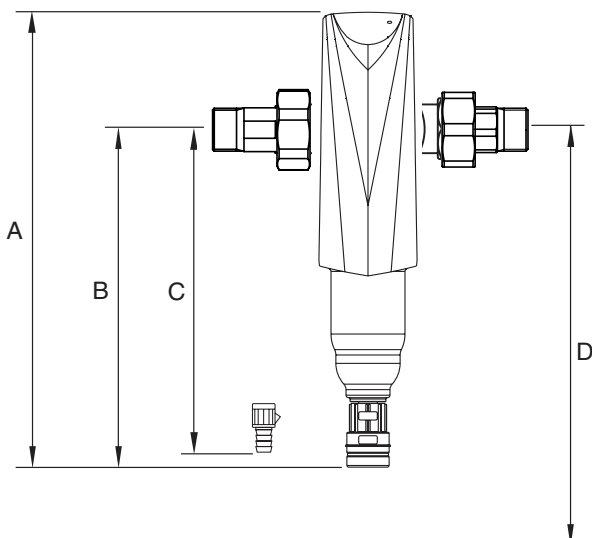
Protecting what matters through
innovative water filtration

BACKWASH RANGE

Domestic Technical Information

Infinity

	DN25	DN50
Product code	1909063	1908474
Backwash operation	Automatic	
Connection size (BSP)	25 mm	50 mm
Flow rate	60 L/min	252 L/min
Operating temperature	5 – 40 °C	
Power supply	240V / 50Hz	
Unit Operation Power	24V DC	
Power consumption during backwash	8W	
Operating pressure range	350 – 1600 kPa	
Nominal pressure (PN)	1600 kPa	
Filter screen	90 micron	
Operating weight, approx.	5 Kg	5 kG
Connection module	Push and Turn	Four Hole Flange
Overall length without fitting	100 mm	125 mm
Overall length with fitting	205 mm	327 mm
Total height (A)	510 mm	
Distance pipe centre to outlet (B)/ with hose connection (C)	315 mm / 295 mm	
Distance pipe centre to floor min. (D)	670 mm	
Hose connection, diameter	20 mm	
Auto backwash timer options	Anywhere from 1hr up to 56 days	

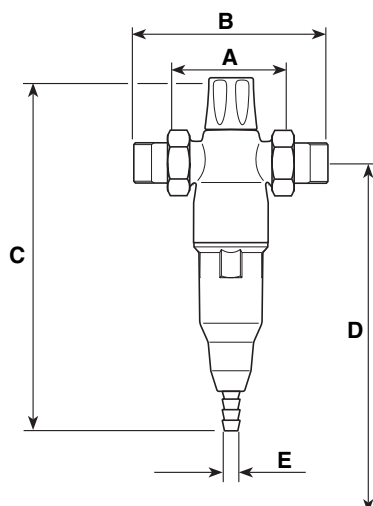


BACKWASH RANGE

Domestic Technical Information

Avanti

	DN25	DN50
Product code	1909268	1909269
Backwash operation	Manual	
Connection size (BSP)	25 mm	50 mm
Flow rate	60 L/min	252 L/min
Operating temperature	5 – 40 °C	
Power supply	N/A	
Unit Operation Power	N/A	
Power consumption during backwash	N/A	
Operating pressure range	300 - 1600 kPa	
Nominal pressure (PN)	1600 kPa	
Filter screen	90 micron	
Operating weight, approx.	2.2 Kg	5.4 Kg
Connection module	N/A	
Overall length without fitting (A)	100 mm	140 mm
Overall length with fitting (B)	205 mm	327 mm
Total height (C)	278 mm	370 mm
Distance pipe centre to floor min. (D)	400 mm	450 mm
Hose connection, diameter (E)	14 mm	20 mm
Distance pipe centre to wall min.	50 mm	60 mm

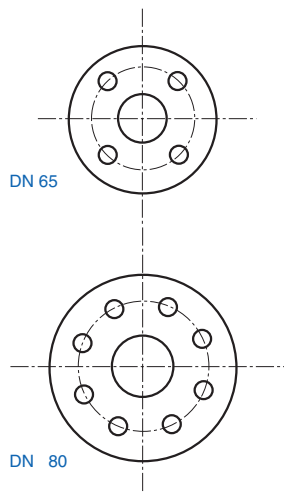
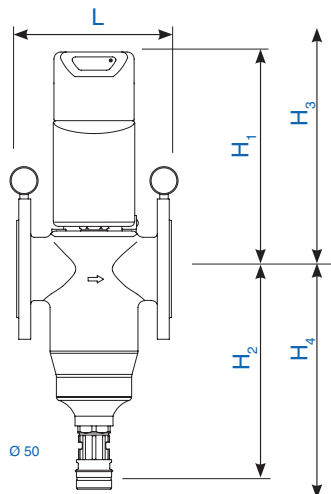


BACKWASH RANGE

Commercial Technical Information

Multipur

Product Name	Multipur	
	DN65	DN80
Product code	1909282	1909283
Backwash operation	Automatic	
Nominal connection width	65 mm	80 mm
Flange Ø	145 mm	160 mm
Flow rate	367 L/min	600 L/min
Operating temperature	5 – 40 °C	
Power supply	240V / 50Hz	
Unit Operation Power	24V DC	
Power consumption during backwash	8W	
Operating pressure range	250 – 1000 kPa	
Nominal pressure (PN)	1000 kPa	
Filter screen	90 micron	
Operating weight, approx.	15 Kg	18 Kg
Shipping weight	13 Kg	16 Kg
Drainage connection	50 mm	
Overall height	630 mm	
Height, top edge to pipe centre (H1)	310 mm	
Height, lower edge to pipe centre (H2)	320 mm	
Minimum distance, pipe centre to ceiling (H3)	400 mm	
Minimum distance, pipe centre to floor (H4)	400 mm	
Minimum distance, pipe centre to wall	100 mm	105 mm
Installation length (L)	220 mm	
Auto backwash timer options	Anywhere from 1hr up to 56 days	





Reece. Works for you.™

Call **1800 032 566** or visit www.reece.com.au for your nearest Reece store.
Due to limitations in the printing process the colours in this brochure are a guide only.
The manufacturer/distributor reserves the right to vary specifications or delete models from their range without prior notification. The manufacturer/distributor takes no responsibility for printing errors.
V1 [BROCHURE CODE 2131562]

