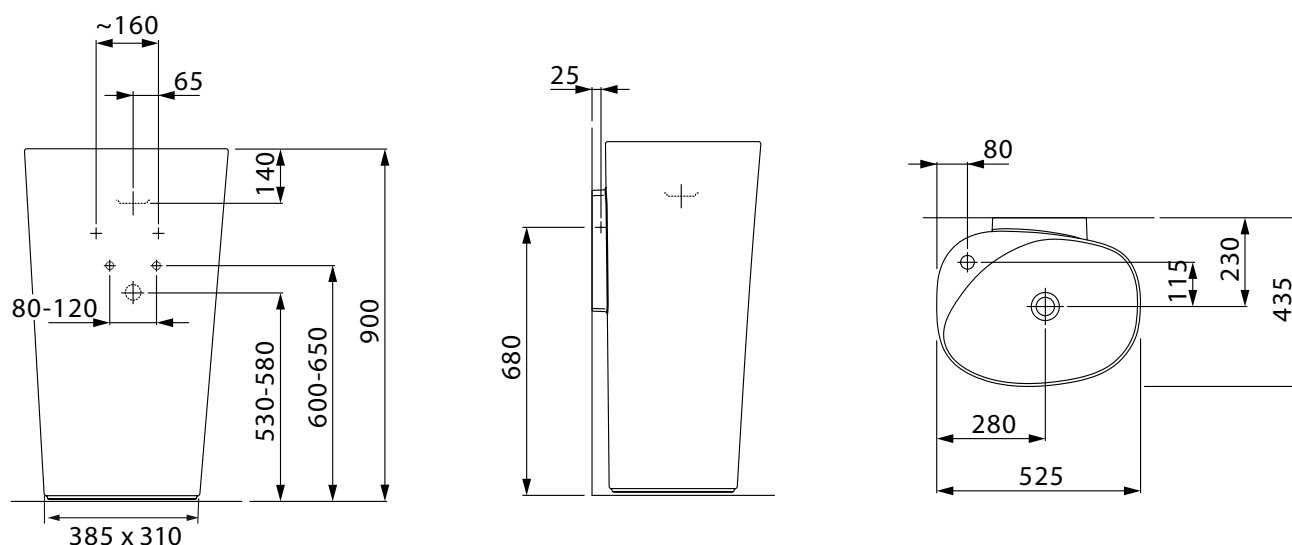


# LAUFEN

Bathroom Culture since 1892  www.laufen.com

## PALOMBA FLOOR STANDING BASIN with Wall Connection



Dimensions are nominal measurements only

### SPECIFICATIONS

<b>Recommended use</b>	Domestic, Hotel and Commercial
<b>Colour</b>	White
<b>Finish</b>	LAUFEN Clean Coat
<b>Weight</b>	45kg
<b>Capacity</b>	3.3L
<b>Taphole availability</b>	1 Taphole only
<b>Integrated overflow</b>	No
<b>Plug &amp; waste</b>	Suits 32 x 40mm non-overflow waste (not supplied)
<b>Installation</b>	P-Trap Only
<b>Fixing</b>	Fixed to the wall using fixing set provided



To see the complete LAUFEN range go to  
[www.reece.com.au/bathrooms](http://www.reece.com.au/bathrooms)

### CLEANING RECOMMENDATIONS

We recommend the use of soapy water or approved cleaners.

This product should not be cleaned with abrasive materials.

Damage caused by any improper treatment is not covered by the product warranty. Refer to Warranty Conditions.

**Disclaimer:** Products in this specification manual must by regulation be installed by licensed and registered trade people. The manufacturer/distributor reserves the right to vary specifications or delete models from their range without prior notification. Dimensions are nominal measurements only. Dimensions and set-outs listed are correct at time of publication however the manufacturer/distributor takes no responsibility for printing errors.

Tech Page Version 4

# LAUFEN

Bathroom Culture since 1892  www.laufen.com

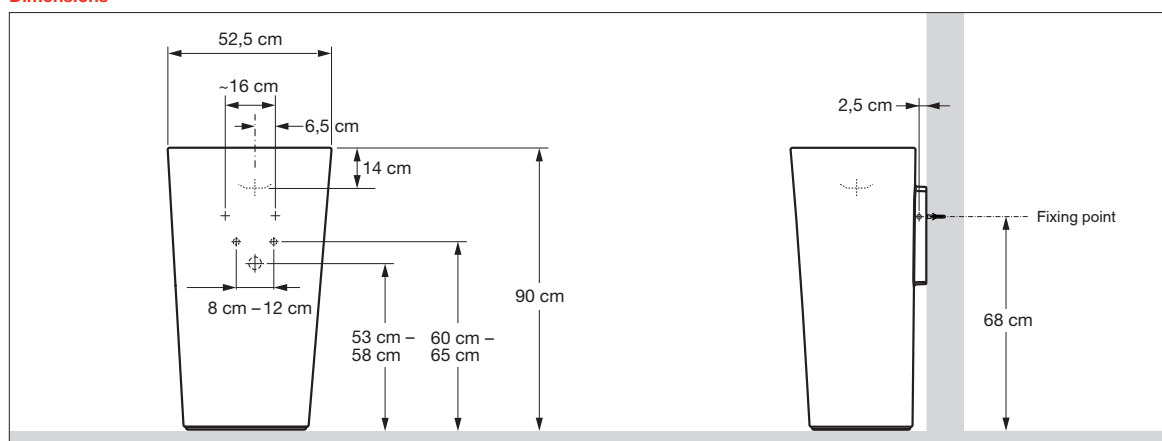
## PALOMBA FLOOR STANDING BASIN with Wall Connection

### INSTALLATION INSTRUCTIONS

#### Parts list



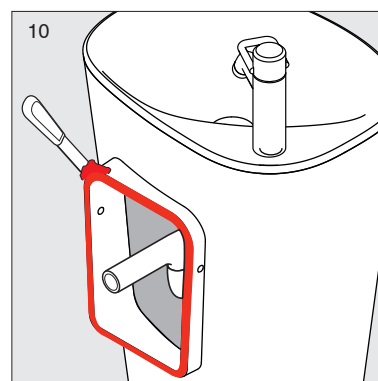
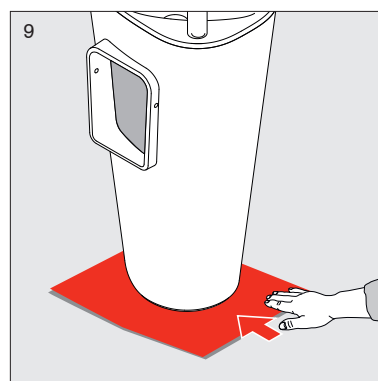
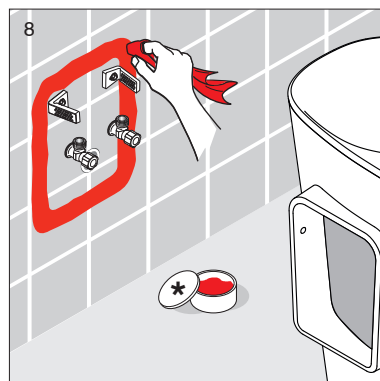
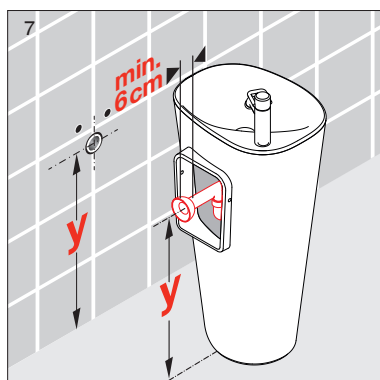
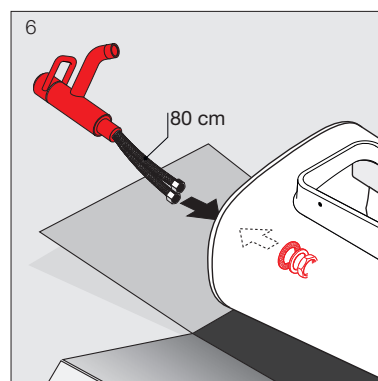
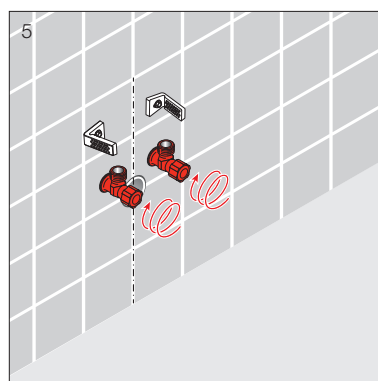
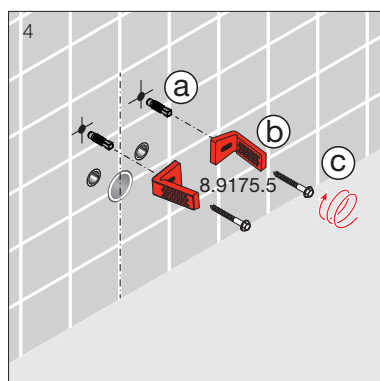
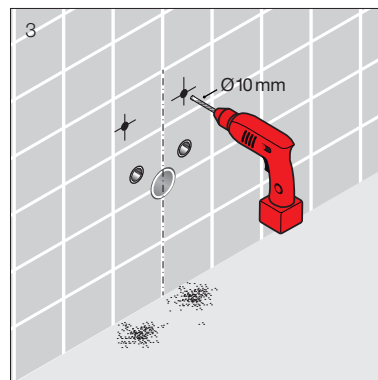
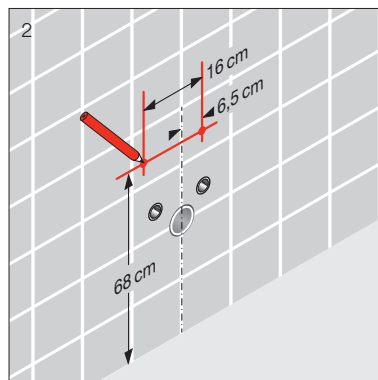
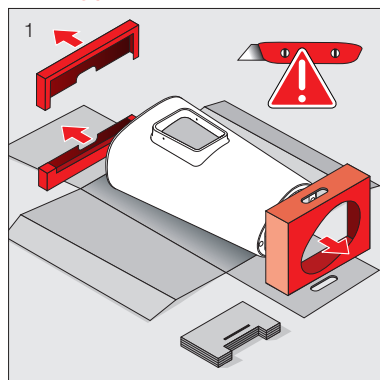
#### Dimensions



## PALOMBA FLOOR STANDING BASIN with Wall Connection



### Assembly procedure



\* Liquid-soap

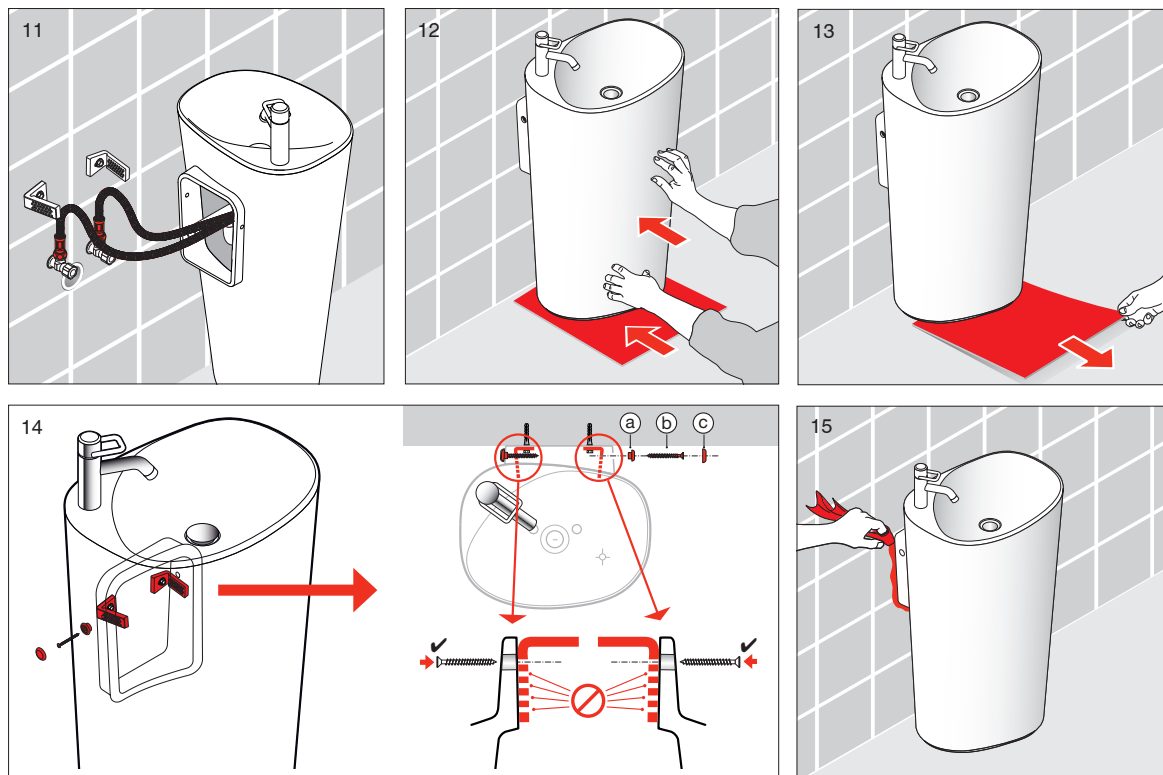
• Cardboard

• Portland-cement

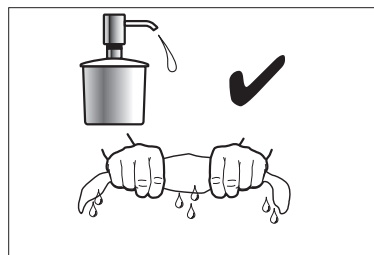
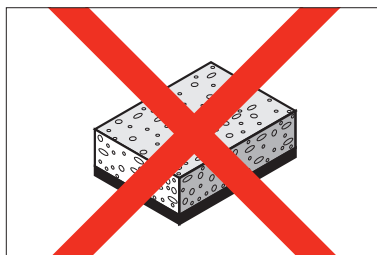
# LAUFEN

Bathroom Culture since 1892  [www.laufen.com](http://www.laufen.com)

## PALOMBA FLOOR STANDING BASIN with Wall Connection



### Maintenance Instructions



### Maintenance instructions

The surface is simple to clean and care for. The smooth surface hardly accumulates any dirt. Use soft cloth, soapy solution and water for regular care. Wipe with a dry cloth.

Avoid the use of abrasives or solvents, which damage the surface.

Damage caused by inappropriate treatment by the user, is not covered by our guarantee.