

EVERHOT[®]



**Great Value. Great Quality.
Made by Rheem Manufacturing.**



CONTENTS



DUAL HANDED
ELECTRIC

03



STAINLESS STEEL
ELECTRIC

04



4 STAR GAS
STORAGE

05



5 STAR GAS
STORAGE

06



EVERHOT PRO
(HEAVY DUTY
ELECTRIC)

07



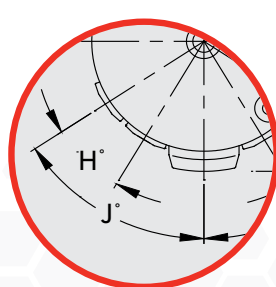
HEAVY DUTY
GAS

08



BOILING
WATER

09



PRODUCT
SPECIFICATIONS

10-16

Everhot offers a leading range of popular water heater models manufactured in facilities owned and operated by Rheem, Australia's No.1 water heater manufacturer.

Expect nothing less than exceptional quality and value for money, and access to a national parts and service network.

Whether it's hot water for the family home or a commercial application, Everhot is right choice to get the job done.

EVERHOT®

DUAL HANDED ELECTRIC



ELECTRIC

25L
TO
400L

DELIVERY

1-9

PEOPLE⁴

INDOOR
OUTDOOR

INSTALLATION³

7or10
YEAR

CYLINDER
WARRANTY^{1,2}



Everhot dual handed electric water heaters feature a durable vitreous enamel lining, and reliable performance you expect from a product manufactured by Rheem. They offer outstanding value, and come in a wide range of models with a capacity to suit most domestic applications.

FEATURES

- Complete model range (25L – 400L)
- Fast, easy like-for-like replacement
- Dual handed inlet and outlet fittings
- Mains pressure
- 25L – 125L models feature compact dimensions and easy to access fittings
- Plug in models available in 25L and 50L³
- 160L – 400L models suit connection to concessional (off-peak) tariffs
- Twin element models available in 250L, 315L and 400L
- 7 year cylinder warranty¹ on 25L and 50L models
- 10 year cylinder warranty² on 80L, 125L, 160L, 250L, 315L and 400L models
- Full warranty support through a comprehensive national service network

Product data: page 10



Made in Australia applies to 250L, 315L & 400L.

EVERHOT®

STAINLESS STEEL ELECTRIC



ELECTRIC

50L
250L
315L

DELIVERY

1-9

PEOPLE⁸

INDOOR
OUTDOOR

INSTALLATION

10
YEAR

CYLINDER
WARRANTY⁵

With a stainless steel cylinder and water fittings, Everhot Stainless Steel electric water heaters offer maximum longevity and reduced lifetime maintenance costs in an easy to handle, lightweight package. And with superior insulation, they comfortably outperform regulated Minimum Energy Performance Standards (MEPS)⁷.

FEATURES

- Available in 50L, 250L and 315L capacities to suit most applications
- Stainless steel cylinder and fittings resist corrosion for longer, extending product life
- Up to 40% lighter⁶ for easier handling
- No anode, to reduce lifetime maintenance costs
- Up to 19% better than MEPS⁷ reducing energy use to save you money
- Hi-temp 80°C thermostat (50L model only)
- Dual handed fittings for easier installation
- Made in Australia
- 10 Year cylinder warranty⁵
- Mains pressure
- Full warranty support through a comprehensive national service network

Product data: page 11



Made by Rheem Manufacturing

EVERHOT®

4 STAR GAS STORAGE



GAS



4 STAR
RATING



PEOPLE⁹



FIRST HOUR
CAPACITY¹⁰



CYLINDER
WARRANTY¹¹

Everhot 4 Star gas storage water heaters are an ideal replacement for 4 Star or older 3 star gas models.

They are easy to retrofit, and with superior energy efficiency, they'll reduce running costs too.

They recover 113L/hr to deliver between 248L to 283L of hot water in the first hour (model dependent)¹⁰.

FEATURES

- 4 Star energy efficiency
- Two sizes: 135L and 170L capacity
- Natural gas models
- 248L/283L first hour capacity of hot water¹⁰
- Strong recovery: 113L/hr¹²
- Easy, fast replacement for 4 Star & 3 Star units – same dimensions and fittings
- Outdoor installation
- Mains pressure
- 7 Year cylinder warranty¹¹
- Full warranty support through a comprehensive national service network

Product data: page 12



EVERHOT®

5 STAR GAS STORAGE



GAS



5 STAR
RATING



PEOPLE¹³



FIRST HOUR
CAPACITY¹⁴



CYLINDER
WARRANTY¹⁶

Everhot 5 Star gas storage water heaters are an ideal storage solution when building new, or upgrading from 4 Star or 3 Star gas models. They can achieve their 5 Star energy efficiency rating without the need to connect to power, and avoid the requirement to upgrade your gas line. With a high powered burner, they recover 142L/hr to deliver between 272L to 302L of hot water in the first hour (model dependent)¹⁴, which is more than most people will ever need.

FEATURES

- 5 star energy efficiency
- Natural gas models
- Strong recovery: 142L/hr¹⁵
- 272L/302L first hour capacity of hot water¹⁴
- Compact – 490mm diameter for easy replacement of 4 Star & 3 Star gas water heaters
- No power connection required
- Runs on a standard ½” gas line
- Made in Australia
- Outdoor installation
- Mains pressure
- 10 Year cylinder warranty¹⁶
- Full warranty support through a comprehensive national service network

Product data: page 13



Made by Rheem Manufacturing

EVERHOT®

EVERHOT PRO (HEAVY DUTY ELECTRIC)



ELECTRIC

50L
315L

DELIVERY

3 x 3.6kW
3 x 4.8kW

INPUT¹⁷

INDOOR
OUTDOOR

INSTALLATION¹⁹

5
YEAR

CYLINDER
WARRANTY¹⁸

Everhot PRO Heavy Duty Electric is a robust commercial water heater range designed to provide between 240 and 560 litres of hot water in the first hour and 190 to 250L/hr recovery hour after hour at 50°C temperature rise.

FEATURES

- Available in the most popular capacities of 50L and 315L with a choice of either 3 x 3.6kW or 3 x 4.8kW elements¹⁷
- Suitable for indoor and outdoor installation
- Direct replacement for the most popular heavy duty electric models
- Heavy duty enamel and larger anode¹⁹ provide long service life
- Trade adjustable thermostats for sanitising applications
- Manifold multiple units together for greater capacity and output
- Mains pressure
- Made in Australia
- 5 year cylinder warranty¹⁸
- Full warranty support through a comprehensive national service network

Product data: page 14



EVERHOT®

HEAVY DUTY GAS



GAS

260L
275L

CAPACITY

51 MJ/HR
200 MJ/HR

INPUT

INDOOR
OUTDOOR

INSTALLATION

5
YEAR

CYLINDER
WARRANTY²⁰



Everhot Heavy Duty Gas is a robust commercial water heater range designed to provide between 380 and 970 litres of hot water in the first hour and 190 to 750L/hr recovery hour after hour at 50°C temperature rise.

FEATURES

- Available in the most popular capacities of 260L / 51MJ/hr input and 275L / 200MJ/hr input
- Indoor and outdoor natural gas models available
- Direct replacement for the most popular heavy duty gas models
- Heavy duty enamel and multiple anodes²¹ provide long service life
- Indoor 275 model has automatic flue damper reducing heat loss by up to 60% compared to AGA maximum allowance
- Hot surface ignition on 275L models
- 82°C capable for sanitising applications on 275L models
- Manifold multiple units together for greater capacity and output
- Mains pressure
- Made in Australia
- 5 year cylinder warranty²⁰
- Full warranty support through a comprehensive national service network

Product data: page 15



Made by Rheem Manufacturing

EVERHOT®

BOILING WATER



ECO-mode is a one-button control that gives you boiling water with reduced energy consumption



ELECTRIC



DELIVERY



CUPS / HR
22,24



TANK
WARRANTY²⁵

Everhot boiling water is an above bench style boiling water unit that provides a cost effective solution for a wide range of installations.

It comes in both 3L and 5L models and includes an ECO-mode to reduce energy consumption when not in use.

Its white powder coated finish is easy to clean, and the unit is backed by a 5 year tank replacement warranty.²⁵

Features

- Designed for a wide range of installations
- Available in 3L and 5L models
- Above bench mounting
- ECO-mode is a unique one-button control that gives you boiling water with reduced energy consumption²³
- Easy to clean white powder coat finish
- Automatic safety devices safeguard against unit boiling dry
- Automatic calibration of boiling point for altitude of the unit's installation
- LED display indicates heating status
- Plug-in electrical connection
- Made in New Zealand
- 5 year tank replacement warranty²⁵
- Full warranty backing through a national service network

Product data: page 16

DUAL HANDED ELECTRIC

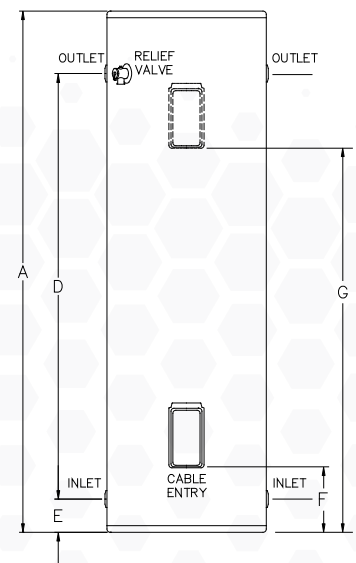
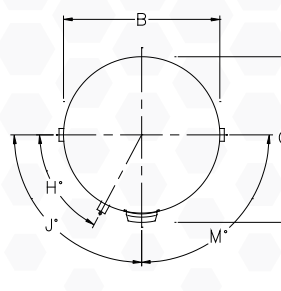
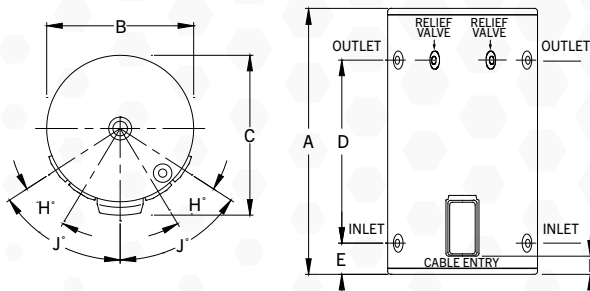
SPECIFICATIONS		25L	50L	80L	125L	160L	250L	315L	400L
Dual Handed Electric – Single Element	Everhot Model Number	291025 291025/P ³	291050 291050/P ³	281080	281125	281160	291250	291315	291400
	Reece Product Code	1303672 1303673 ³	1303674 1303675 ³	1303676	1303678 (3.6kW) and 1303677 (1.8kW)	1366115 (3.6kW) and 1366116 (2.4kW)	1303565 (3.6kW) and 1303566 (4.8kW)	1300794 (3.6kW) and 1300795 (4.8kW)	1303567
Dual Handed Electric – Twin Element	Everhot Model Number					292250		292315	292400
	Reece Product Code					1303927		1303928 (3.6kW) and 1303929 (4.8kW)	1303930
Hot Water Delivery	Litres	25	50	80	125	160	250	315	400
Boost Capacity	Litres	–	–	–	–	–	50	50	90
kW Rating	1.8	–	–	–	✓	–	–	–	–
	2.4	✓	✓	–	–	✓	–	–	–
	3.6	✓	✓	✓	✓	✓	✓	✓	–
	4.8	–	–	–	–	–	✓*	✓	✓
Relief Valve Setting	kPa	1000	1000	1000	1000	1000	1000	1000	1000
Expansion Control Valve	kPa	850	850	850	850	850	850	850	850
Max Water Supply Pressure:									
with ECV	kPa	680	680	680	680	680	680	680	680
without ECV	kPa	800	800	800	800	800	800	800	800
Water Hot and Cold Connections		Rp ¾	Rp ¾	Rp ¾	Rp ¾	Rp ¾	Rp ¾	Rp ¾	Rp ¾
Dimensions									
A	mm	430	695	875	1250	1550	1395	1640	1840
B	mm	400	400	460	480	480	640	640	690
C	mm	436	436	496	515	494	680	680	730
D	mm	106	397	475	853	1150	1109	1317	1479
E	mm	142	142	194	194	200	73	113	121
F	mm	60	60	112	112	95	103	103	105
G	mm	–	–	–	–	–	988	1228	1323
H	degrees	26	26	22	22	23	32	32	30
J	degrees	64	59	60	60	60	88	88	83
M	degrees	–	–	60	60	60	92	92	97
Approx. Weight (inc. packaging)	kg	19	26	32	45	56	82	97	120

Technical data is subject to change.

*4.8kW element rating not available in 250L twin element model range.

25L – 50L Electric Models

80L – 400L Electric Models



1. Warranty (25L and 50L): 7 Years on Cylinder, 1 Year Labour on Cylinder, 1 Year Parts and Labour warranty on all other components for Domestic (non-Commercial) installations. Conditions apply. See the Everhot warranty set out in the Owner's Guide and Installation Instructions or view online at www.reece.com.au/Everhot.
2. Warranty (80L, 125L, 160L, 250L, 315L and 400L): 10 Years on cylinder, 1 Year Labour on Cylinder, 1 year Parts and Labour warranty on all other components for Domestic (non-Commercial) installations. Conditions apply. See the Everhot warranty set out in the Owner's Guide and Installation Instructions or view online at www.reece.com.au/Everhot.
3. 25 and 50 litre plug and lead models may only be used indoors.
4. Guide only, subject to individual hot water consumption patterns.

STAINLESS STEEL ELECTRIC

SPECIFICATIONS		50L	250L	315L
Stainless Steel Electric	Everhot Model Number	2A1050	2A1250	2A1315
	Reece Product Code	1306813	1306814	1306815
Hot Water Delivery	Litres	50	250	315
No. of People (moderate climate) ⁹	Continuous Tariff	1	5-8	5-9
No. of People (moderate climate) ⁹	Off Peak/Night rate	N/A	4-6	6-7
kW Rating	kW	3.6	3.6	3.6
Maximum Supply Pressure				
with ECV	kPa	960	680	680
without ECV	kPa	1120	800	800
T&PR Valve	kPa	1400	1000	1000
ECV setting	kPa	1200	850	850
Thermostat Setting (maximum)	°C	80	75	75
Water Hot and Cold Connections			Rp ¾ Female	
PTR Connections ((T&PR Connection))			Rp ½ Female	
Better than MEPS ⁷ by		4.8%	19%	17%
Dimensions				
A	mm	695	1440	1760
B	mm	400	625	625
C	mm	432	630	630
D	mm	385	1000	1320
E	mm	145	220	220
F	mm	65	145	145
H	degrees	30	30	30
J	degrees	60	60	60
M	degrees	60	120	120
Approx. Weight (inc. packaging)	kg	16	45	54

Technical data is subject to change.

Everhot Stainless Steel water heaters are not recommended for installation in some areas.

Refer to www.reece.com.au/Everhot for details of areas not recommended and where, if installed, product is not covered by warranty.

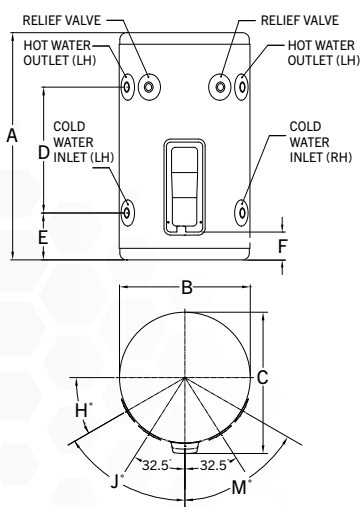
50L models have left and right hand (dual handed - DH) cold water connections, hot water connections, and T&PR valve fittings.

250L-315L models have left and right hand (dual handed - DH) cold water connections, a hot water connection at the top of the water heater and a T&PR valve fitting on the left hand side.

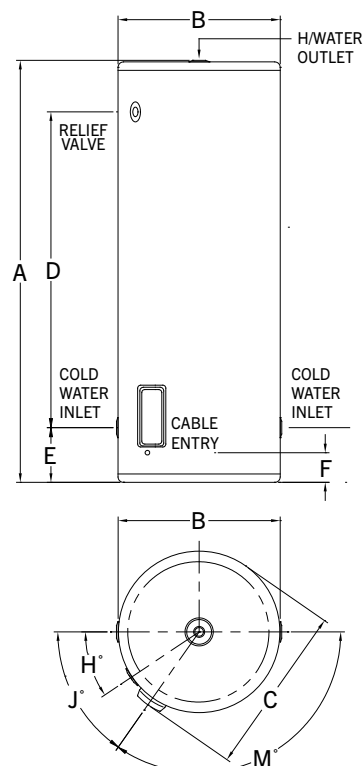
Note: Allow additional top clearance for the hot outlet fittings and pipe work.

- Warranty: 10 Year cylinder warranty, 1 Year parts and labour on all other components for domestic (non- commercial) installations. Conditions apply. See the Everhot warranty set out in the Owner's Guide and Installation Instructions or view online at www.reece.com.au/Everhot.
- Up to 40% lighter than comparable Everhot vitreous enamel water heater models of same capacity.
- Minimum Energy Performance Standard (MEPS) is a regulated requirement that electric water heaters sold in Australia must meet. Everhot Stainless Steel models perform up to 19% better than MEPS requirement. Performance varies by model, refer to Specification Table for individual models' performance.
- Guide only, subject to individual hot water consumption patterns.

Everhot SS 50L



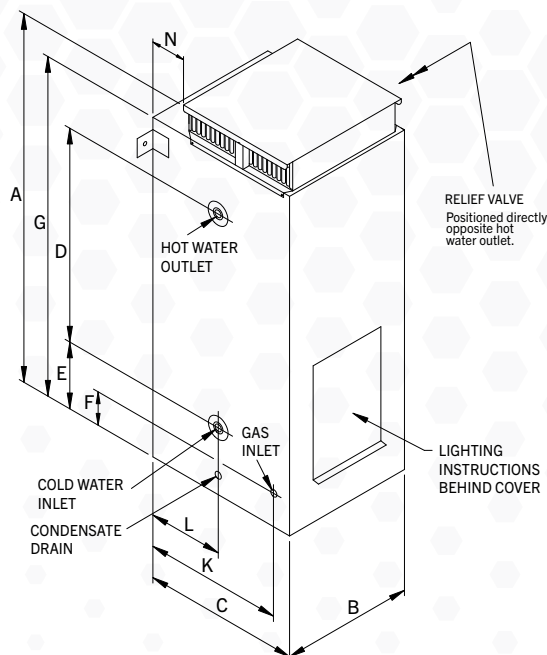
Everhot SS 250L and 315L



4 STAR GAS STORAGE

SPECIFICATIONS		135L	170L
4 Star Gas Storage	Everhot Model Number	218135	218170
	Reece Product Code	1303568	1303570
AGA Gas Energy Rating		4 stars	4 stars
Installation		External only	External only
Suitable for no. of people⁹			
Moderate Climate		3-5	4-6
Cool Climate		2-4	3-5
Storage Capacity	Litres	135	170
Recovery Rate @ 45°C Rise ¹²	L/hr	113	113
First Hour Capacity ¹⁰	Litres	248	283
Hourly Gas Consumption			
Natural Gas	MJ	27	27
Max. Supply Pressure			
with ECV	kPa	960	960
without ECV	kPa	1120	1120
T&PR Valve Setting	kPa	1400	1400
Water Hot and Cold Connections		Rp ¾	Rp ¾
Gas Connections		Rp ½	Rp ½
Dimensions			
A	mm	1565	1870
B	mm	422	422
C	mm	502	502
D	mm	988	1213
E	mm	328	403
F	mm	298	298
G	mm	1481	1786
K	mm	473	473
L	mm	211	211
N	mm	161	161
Approx. Weight (inc. packaging)	kg	72	85

Technical data is subject to change.



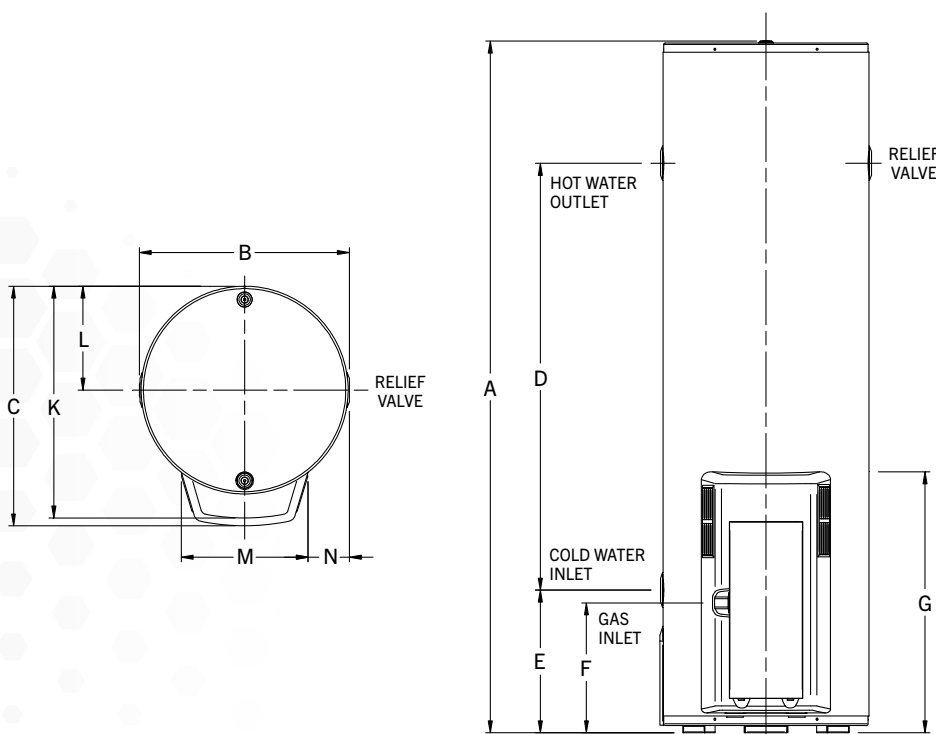
- Guide only, subject to individual hot water consumption patterns.
- First hour capacity is the storage capacity plus nominal first hour recovery rate at 45°C temperature rise using Natural Gas.
- Warranty: 7 years parts on Cylinder, 1 years parts and labour warranty on all components, for Domestic (non-Commercial) installations. Conditions apply. See the Everhot warranty set out in the Owner's Guide and Installation Instructions or view online at www.reece.com.au/Everhot.
- Calculated from output (in kW) as marked on the water heater.

5 STAR GAS STORAGE

SPECIFICATIONS		130L	160L
5 Star Gas Storage		252265	252295
Everhot Model Number		252265	252295
Reece Product Code		1303571	1303573
AGA Gas Energy Rating		5.3 stars	5.3 stars
Installation		External only	External only
Suitable for no. of people¹³			
Moderate Climate		3-5	4-6
Cool Climate		2-4	3-5
Storage Capacity	Litres	130	160
Recovery Rate @ 45°C Rise ¹⁵	L/hr	142	142
First Hour Capacity ¹⁴	Litres	272	302
Anodes		2	2
Hourly Gas Consumption			
Natural Gas	MJ	30	30
Max. Supply Pressure			
with ECV	kPa	960	960
without ECV	kPa	1120	1120
T&PR Valve Setting	kPa	1400	1400
Water Hot and Cold Connections		Rp ³ / ₄	Rp ³ / ₄
Gas Connections		Rp ¹ / ₂	Rp ¹ / ₂
Dimensions			
A	mm	1600	1900
B	mm	480	480
C	mm	556	556
D	mm	988	1213
E	mm	330	404
F	mm	300	300
G	mm	605	605
K	mm	528	528
L	mm	240	240
M	mm	300	300
N	mm	95	95
Approx. Weight (inc. packaging)	kg	80	90

Technical data is subject to change.

13. Guide only, subject to individual hot water consumption patterns.
14. First hour capacity is the storage capacity plus nominal first hour recovery rate at 45°C temperature rise using Natural Gas.
15. Calculated from output (in kW) as marked on the water heater.
16. Warranty: 10 years parts on Cylinder, 1 years parts and labour warranty on all components, for Domestic (non-Commercial) installations. Conditions apply. See the Everhot warranty set out in the Owner's Guide and Installation Instructions or view online at www.reece.com.au/Everhot.

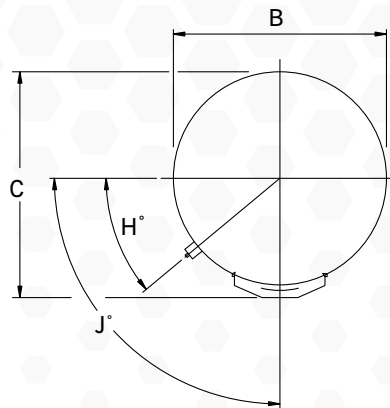
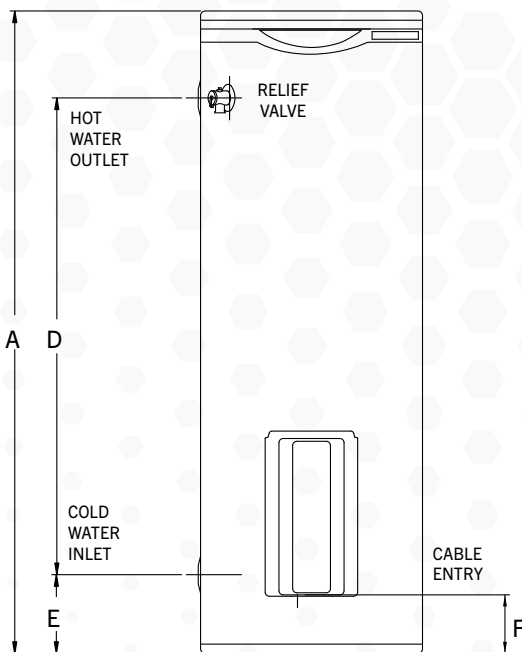


EVERHOT PRO

SPECIFICATIONS		50L	315L
Everhot Model Number		623050	623315
Everhot PRO Heavy Duty Electric	Reece Product Code	1306818	1306819 (3.6kW) and 1306820 (4.8kW)
Hot Water Delivery	Litres	50	315
First Hour Delivery - 3.6kW	Litres	240	500
First Hour Delivery - 4.8kW	Litres	-	560
Recovery at 50°C rise - 3.6kW	Litres	190	190
Recovery at 50°C rise - 4.8kW	Litres	-	250
T&PR Valve	kPa	1000	1000
ECV Setting	kPa	850	850
Maximum Supply Pressure			
without ECV	kPa	800	800
with ECV	kPa	680	680
Thermostat Setting (Maximum)	°C	75	77
Water Hot and Cold Connections	BSPF	Rp 1 1/4	Rp 1 1/4
T&PR Connection	BSPF	Rp 3/4	Rp 3/4
kW Rating	3.6	✓	✓
	4.8	-	✓
Dimensions			
A	mm	675	1640
B	mm	436	638
C	mm	476	678
D	mm	405	1294
E	mm	90	128
F	mm	80	130
H	degrees	30	32
J	degrees	90	90
Approx. Weight (inc. packaging)	kg	34	96

Technical data is subject to change.

Note: Allow additional top clearance for anode replacement.

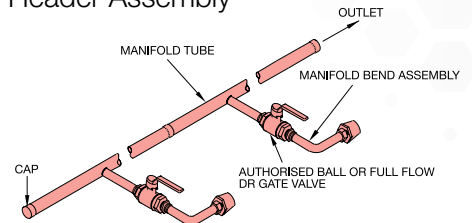


ELECTRICAL CONNECTION

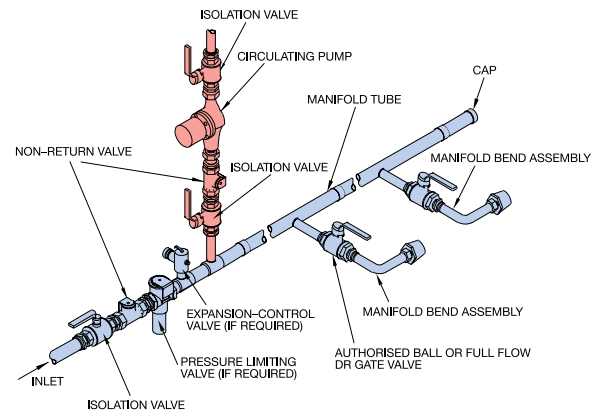
Everhot PRO commercial electric water heaters can be wired using a single phase 240 Volts AC or 3 phase 415 Volts AC "star connected" supply, one phase per element.

MANIFOLD ARRANGEMENT

Hot Header Assembly



Cold Header Assembly



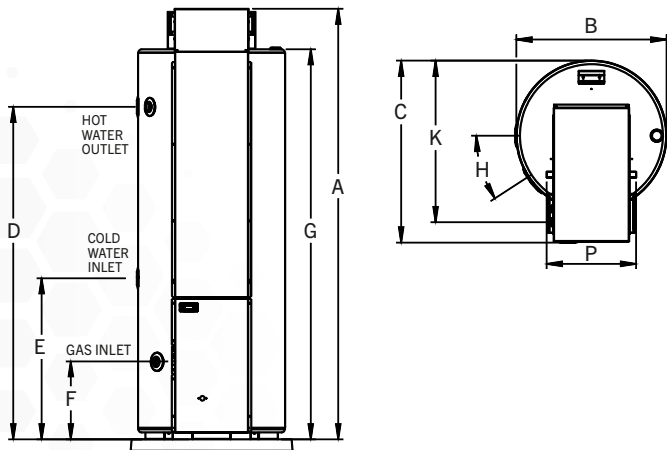
- 3 x 3.6kW available in 50L and 315L. 3 x 4.8kW available in 315L.
- Warranty: 5 Year cylinder warranty, 1 Year parts and labour on all other components in commercial installations. Conditions apply. See the Everhot warranty set out in the Owner's Guide and Installation Instructions or view online at www.reece.com.au/Everhot.
- Black anode suitable up to 600mg/L Total Dissolved Solids only available.

HEAVY DUTY GAS

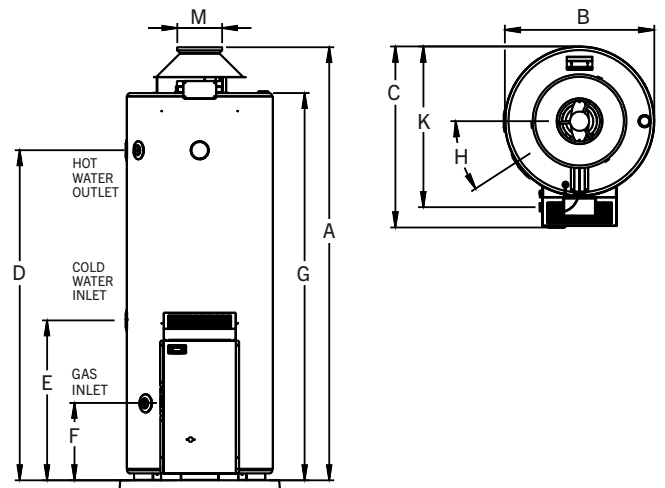
SPECIFICATIONS		OUTDOOR MODELS		INDOOR MODELS	
Heavy Duty Gas	Everhot Model Number	632260	635275	622260	625275
	Reece Product Code	1306823	1306824	1306821	1306822
Storage Capacity	Litres	260	275	260	275
Thermal Input (natural gas)	MJ/hr	51	200	51	200
Recovery @ 50°C rise	L/hr	190	750	190	750
First Hour Delivery	L	380	970	380	970
Water Hot and Cold Connections	BSPF	Rp 1¼	Rp 1¼	Rp 1¼	Rp 1¼
Gas Connection	BSPF	Rp ½	Rp ¾	Rp ½	Rp ¾
T&PR Valve Connection	BSPF	Rp ¾	Rp ¾	Rp ¾	Rp ¾
T&PR Valve Setting	kPa	1000	1000	1000	1000
ECV	kPa	850	850	850	850
Max. Water Supply Pressure					
without ECV fitted	kPa	800	800	800	800
with ECV fitted	kPa	680	680	680	680
Max. Thermostat Setting	°C	65	82	65	82
Min. Thermostat Setting	°C	off	60	off	60
Electrical Connection		-	2m 10A plug and lead	-	2m 10A plug and lead
Electrical Rating 240V 50Hz		-	250 Watts / 1.1 Amps	-	150 Watts / 0.65 Amps
Maintenance Rate	MJ/day	30.7	50.7	33.9	26.1
Dimensions					
A	mm	1640	1885	1660	1910
B	mm	590	645	590	645
C	mm	680	780	670	780
D	mm	1320	1454	1320	1454
E	mm	330	704	330	704
F	mm	295	341	297	341
G	mm	1520	1706	1520	1706
H	degrees	27	33	27	33
K	mm	655	692	655	692
M	mm	-	-	100	200
P	mm	420	383	-	-
Approx. Weight (inc. packaging)	kg	110	174	101	167

Technical data is subject to change.

Outdoor Models



Indoor Models



20. Warranty: 5 Year cylinder warranty, 1 Year parts and labour on all other components in commercial installations.
 Conditions apply. See the Everhot warranty set out in the Owner's Guide and Installation Instructions or view online at www.reece.com.au/Everhot.
21. Black anode suitable up to 600mg/L Total Dissolved Solids only available.

BOILING WATER

SPECIFICATIONS		3L	5L
Boiling Water	Everhot Model Number	72303W-AU	72305W-AU
	Reece Product Code	1306816	1306817
Capacity	Litres	3	5
Delivery – Initial	Litres	3.5	6
	Cups ²⁴	21	35
Recovery	Cups/hr ²⁴	103	135
Min. Water Pressure	kPa	50	50
Max. Water Pressure	kPa	1000	1000
Input	kW	1.8	2.4
Electrical Connections		Supplied with 10 amp 3 pin plug and flex	Supplied with 10 amp 3 pin plug and flex
Water Hot and Cold Connections		G ½ (½ BSP)	G ½ (½ BSP)
Colour		white	white
Dimensions			
A	mm	283	336
B	mm	160	192
C	mm	435	465
D	mm	280	312
E	mm	60	60
F	mm	45	45
G	mm	50	50
H	mm	44	44
M	mm	142	168
N	mm	238	270
Approx. Weight (inc. packaging)	kg	7.7	9.4
Approx. Weight (full)	kg	10	15

Technical data is subject to change.

22. Recovery based on a 77°C rise.
23. Potential energy consumption savings values are approximate and provided for general reference purposes only. Actual heat loss reductions will vary depending on the system installed, regional temperatures, geographical location and other factors.
24. Cup size is 170mL.
25. Warranty: 2 Years, Parts and Labour, 5 year tank replacement. Conditions apply. See the Everhot warranty set out in the Owner's Guide and Installation Instructions or view online at www.reece.com.au/Everhot.

