



The Gap Rimless Close Coupled Back to Wall Back Inlet Toilet Suite Soft Close Quick Release Seat White (4*)

1 Note: Hollow Wall Install
Dimensions: 400, 750, 370, 45, 90

2

3
Dimensions: 200, 370
Screw: Ø12

4
Dimensions: 100, 740
Warning icon: !
Checkmark and Cross symbols

5
Step 1: Drill
Step 2: Tighten screw

6
Gasket: AV0027000R

7
Warning icon: !
Checkmark and Cross symbols

8
Warning icon: !

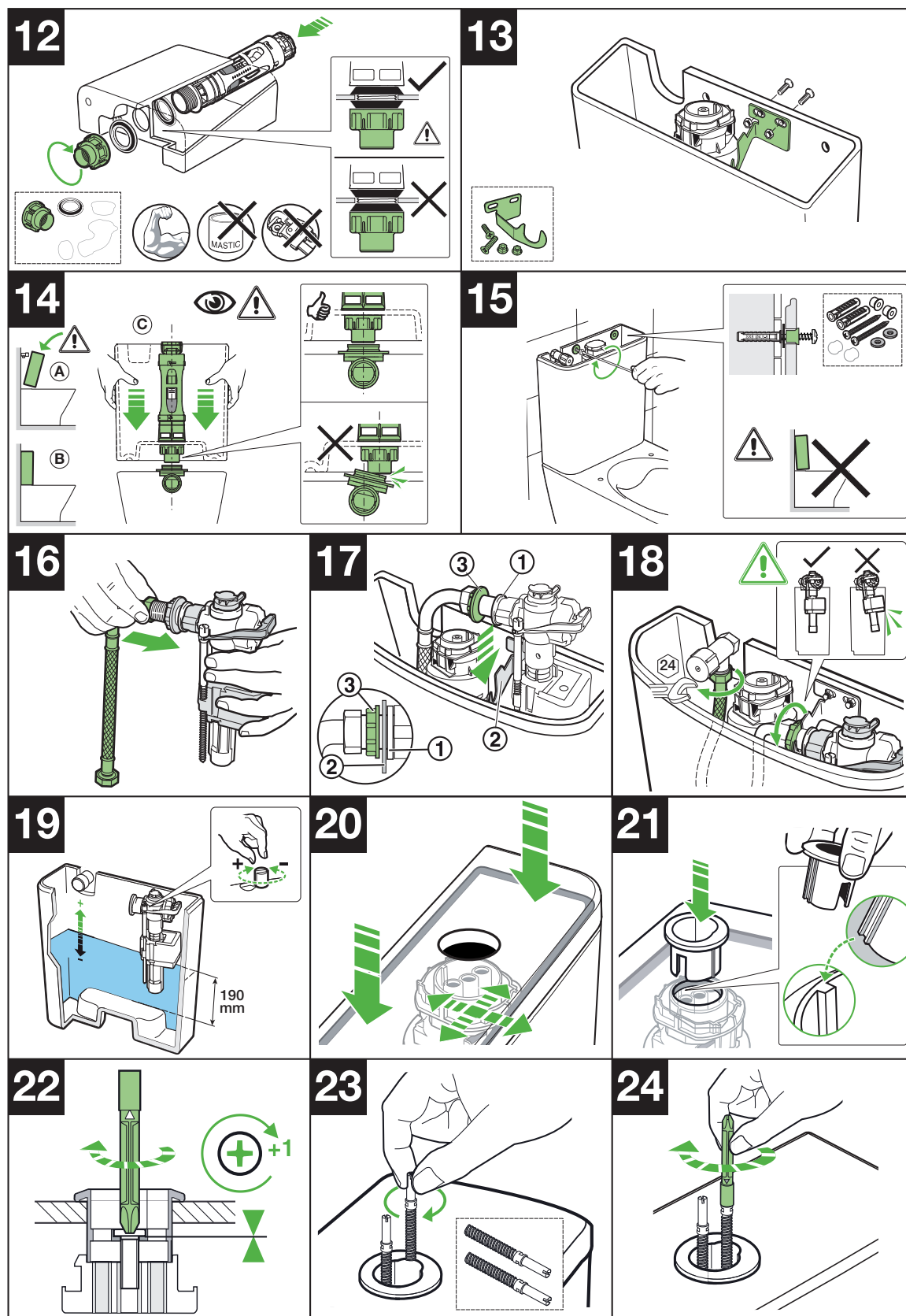
9
Warning icon: !
Checkmark and Cross symbols
Water level: 3 l

10
Warning icon: !

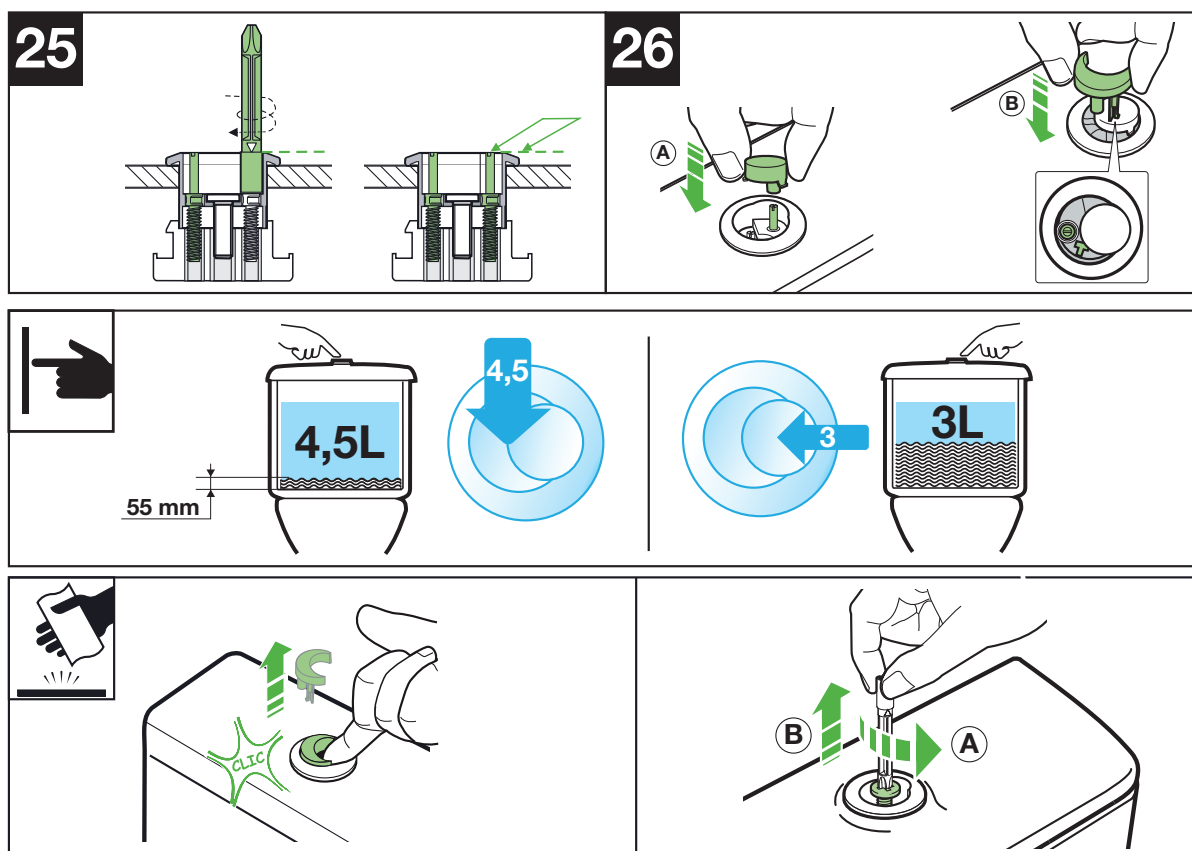
11
Dimensions: 45, 160, 115, 750
Screw: Ø8

Plumbers, please ensure a copy of the installation instructions is left with the end user for future reference

Roca

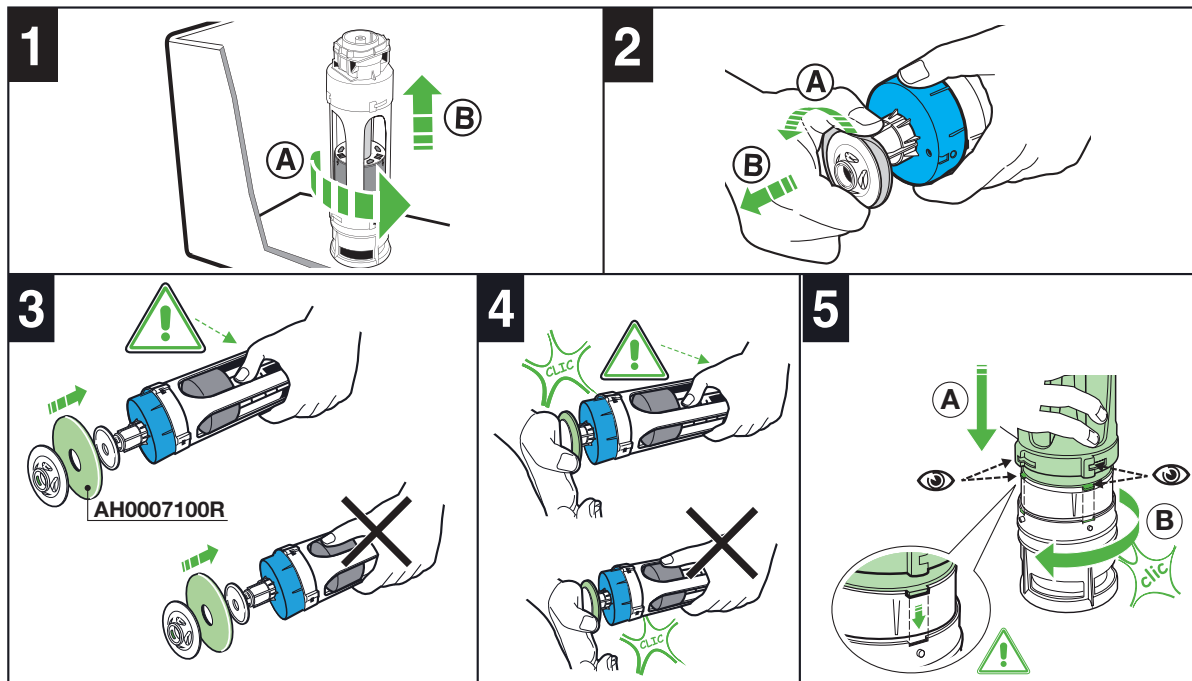


Roca



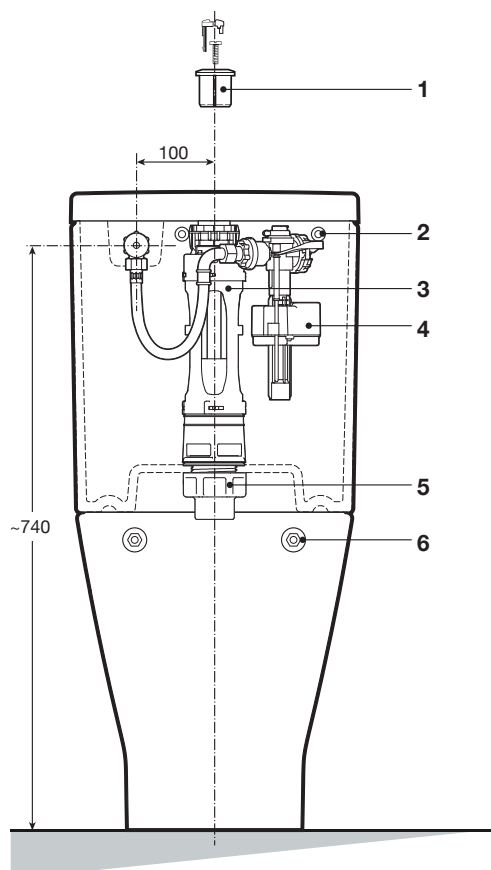


MAINTENANCE / REPLACEMENT OF OUTLET WASHER





PARTS



1 - AH0001800R Push Button Assembly

2 - AV0014700R Cistern Fixing Kit



3 - AH0009200R Outlet Valve

4 - A822096400 **W** Inlet Valve

5 - AV0014900R Outlet Flush Assembly



6 - AV0007500R Pan Fixing Kit

