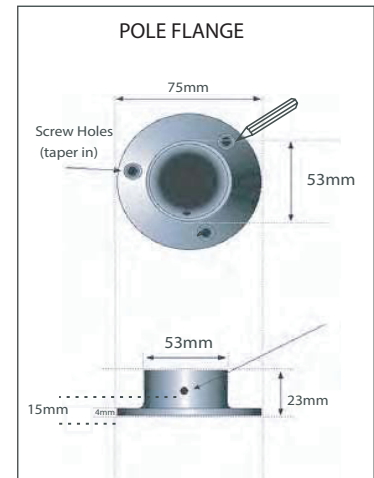
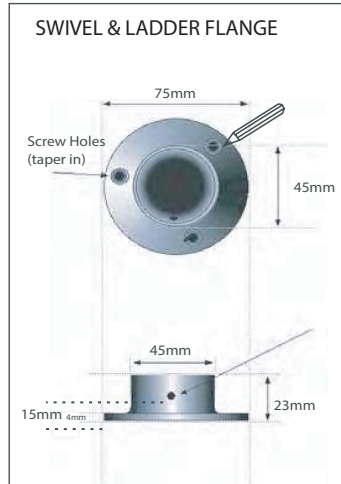


Milli Pure Heated Towel Rail Floor to Ceiling (Hardwired Ceiling Cable Entry) 550mm

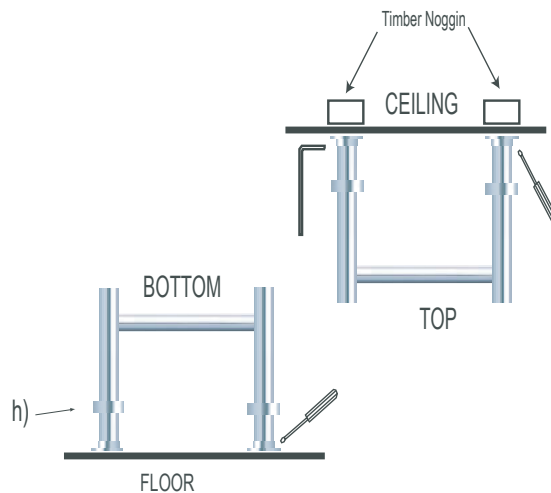
STEP 1 - Pre-drilling

- a) Position flanges onto rail and place on floor/ceiling in desired position. Square off from wall and mark screw holes with pencil.
- b) Repeat for top flanges on ceiling.
- c) Remove rail and pre-drill screw holes with drill.



STEP 2 - Positioning Rail

- g) Slide flange cover plates over legs at top and bottom.
- h) Relocate rail in desired position with flanges connected (loose).
- i) Using screwdriver/drill secure screws in pre-drilled holes. Both top and bottom.
- j) Screw in grub screws with alen key provided.
- k) Push Down on cover plates at either end to secure into place.
- l) Towel Rail is now ready to be connected by licensed electrician.



Please note:

All Milli Floor to Ceiling Towel Rails are supplied pre-filled with water.

Milli Pure Heated Towel Rail Floor to Ceiling (Hardwired Ceiling Cable Entry) 550mm

Concealed Connection - (Floor / Ceiling)

The electric element can be recessed up inside the vertical leg of the towel rail with its cable protruding from either the top, or bottom of the unit. The connection can be made by a qualified electrician in either the ceiling cavity (see fig. 2), or under the floor if access is available (see fig. 1).

PLEASE NOTE: Wiring options are not interchangeable. The towel rails **MUST** be installed as they are ordered. A floor wire option can **NOT** be fitted upside down and vice versa.

Elements

The thermostatic electric element is specially designed with a built in safety device that switches it off to avoid overheating. The element is placed in either the left or right (vertical rail), at the bottom of the towel rail. It **must always be placed at the bottom end** of the towel rail for correct water flow and heat transfer.

The element is designed to reach an internal temperature of approximately 55 degrees celcius, and to switch off or cool down, so as to maintain the internal water temperature.

Depending on the size of the model, Milli Towel Rails will require approx. 20min - 60min to reach their max. heat ouput

For convenience and to prolong the life of the electric element, we recommend that the towel rail be connected to a timer. Brand HPM Model Number: **XL 770T** digital timer for hard wire installations is recommended.

All elements have an IP rating for IP55

FIG 1.

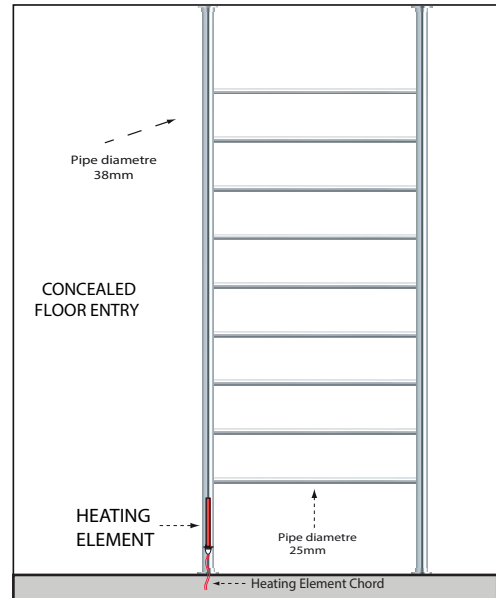
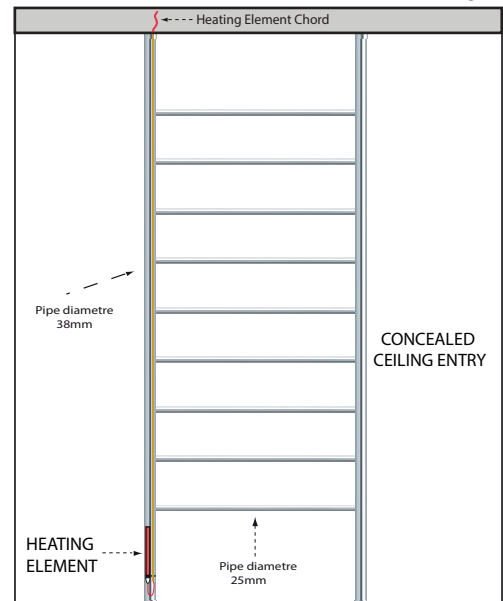


FIG 2.



WARNING:

Heating element must always be positioned at the bottom of the unit for correct water flow, and heat transfer.

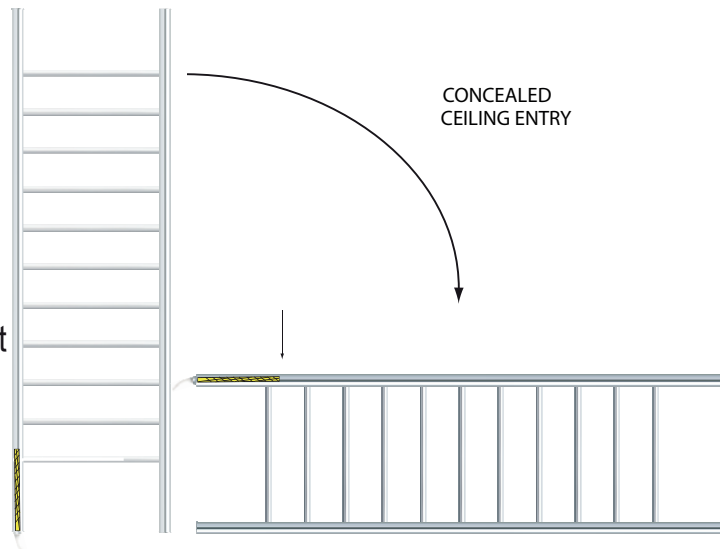
Milli Pure Heated Towel Rail Floor to Ceiling (Hardwired Ceiling Cable Entry) 550mm

CHANGING ELEMENT

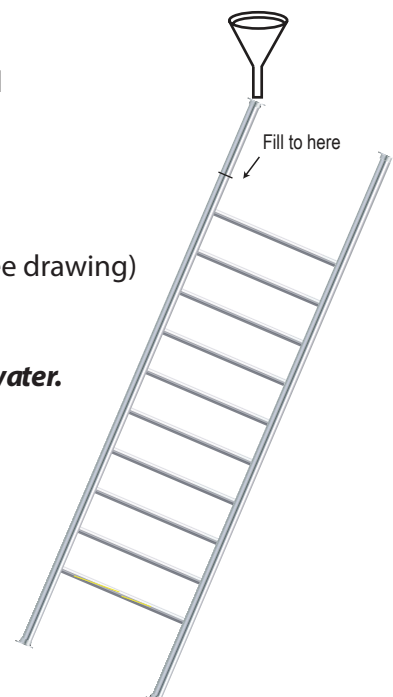
REPLACING ELEMENTS

Rail must be disconnected by qualified electrician :

- a) Using an allen key remove rail from floor and ceiling mounts.
- b) Lay rail on its side so element (cord) is facing upwards (see drawing)
- c) Remove old element by loosening hex nut and unscrewing with 18mm x 19mm tube spanner.
(Have towel and bucket accessible to collect any spilling water).
- d) Replace new element by screwing in firmly with spanner.



- e) If your towel rail is a ceiling connection, you will need to pull existing element cable through rail to remove. Then re-thread new element cable when replacing.
- f) If any water has been lost during process, simply unscrew top cap with flat head screw driver and fill to appropriate level (see drawing)



All Floor to Ceiling Towel Rails are supplied pre-filled with water.

Please note: Due to the size and weight of this unit, it is advisable that two people carry out the above process



Milli Pure Heated Towel Rail Floor to Ceiling (Hardwired Ceiling Cable Entry) 550mm

WARNING

This product must be installed by a qualified electrician in accordance with AS/NZS 3000 wiring rules. Switch off the electrical supply at the mains before installation and maintenance. A means of disconnection must be incorporated in the fixed wiring in accordance with the wiring rules. Suitable for bathroom and non-bathroom/dry areas. Not suitable for above baths, nor for installation in saunas, steam rooms or shower cubicles. Please consult with a qualified electrician to confirm appropriate compliant installation location.

Do not connect to a plug and socket outlet. Rated IPX5 and suitable for indoor use only. Do not fix to damp or conductive surfaces. Site well away from curtains and fabrics. Switch off after use. Do not leave on for prolonged periods. This appliance is not to be used by persons (including children) with reduced physical, sensory or mental capabilities.

Please consult with a qualified electrician to confirm appropriate compliant installation location.



WARNING:

This appliance is not intended for use by young children or infirm persons without supervision.

CAUTION:

The cord extension set must be positioned so that it is not subject to splashing or ingress of moisture.

The supply shall have means for disconnection with an air gap in all active conductors incorporated in the fixed wiring according to the Wiring Rules in AS/NZS 3000:2000.

CLEANING RECOMMENDATIONS

We recommend the use of soapy water or approved cleaners.

This product should not be cleaned with abrasive cleaners.

Damage caused by improper treatment is not covered by the product warranty. Refer to Warranty Conditions.

Please ensure a copy of the installation instructions is left with the end user for future reference.