

BWT WATER SOFTENER

Protecting what matters
through unrivalled
water conditioning



For You and Planet Blue.



IMPORTANCE OF SOFT WATER

Why and how

The issue

Limescale can build up wherever water flows, drips, or stands, because calcium and magnesium ions dissolved in the water create hard water. Though not a health risk, hard water encompasses the ability to cause severe damage and reduce your flow rate through 'scale buildup'. Common areas for 'scale buildup' are:

1. Kitchen appliances
2. Laundry appliances
3. Tapware and fixtures
4. Household pipework



The solution

Best Water Technology (BWT) will significantly prolong the life expectancy of your appliances, tapware and fixtures whether they are in a domestic or commercial setting. It will also ensure an optimal flow rate through the premise pipework via 'scale buildup' minimisation. The Bewamat softener that comes with a 5 year warranty achieves these capabilities through its cutting-edge ion exchange process, which uses natural processes to reduce the calcium content in the water supply. For the best results, these units should be installed on the mains water supply to a premise, as well as under cover to minimise the chance of bacterial growth from excessive UV exposure.



BWT

Who is Best Water Technology

Europe's No. 1 in Water Technology

Best Water Technology (BWT) has over 100 years' experience in manufacturing state-of-the-art water filtration, purification and treatment products, along with a passion to preserve the global resources of our blue planet.

Today, the BWT group is Europe's leading water technology company, working to provide customers in private homes, industry, business, hotels, and communities with high standards of security, hygiene, and health in their daily contact with water. BWT do this through innovative, economical, and environmental water treatment technologies.



100 Years +
Experience in
manufacturing

70 Countries
Where you can find BWT
products

3,300 +
Personnel employed
world wide

5 Year Warranty
Class leading peace of
mind



Reece Extended Warranty Available

* Install a BWT water softener with your newly purchased kitchen and bathroom Value Added Products from Reece, and we will extend your warranty on those products by 3 years. This applies only to products with a 7 year warranty or more. Except BASE products which have an extended 2 year warranty. Applies only to the Bewamat Units.

SOFTENER RANGE

Superior Technology

Why install a water softener

BWT water softeners are designed for softening or partially softening drinking and service water. This product significantly minimises malfunctions, flow rate issues and damage due to calcification of:

- Water pipelines and connections
- Aerators
- Boilers
- Bathroom taps and mixers
- Shower heads
- Bath outlets
- Kitchen taps and mixers
- Washing machines
- Dishwashers
- Refrigerators
- Seals and gaskets
- Water filter taps
- Boiling and chilled water units
- Toilets and inwall cisterns
- Hot water units
- Hot water valves
- Sprinklers and garden taps
- Filter cartridges

Many intrinsic health and financial benefits are also associated with softened water. For example, the facilities listed above will have a prolonged life span and any soaps, shampoos and detergents that are used on a daily basis will prove to be more effective.



Suitable applications

- Domestic
- Irrigation
- Pre-filtration
- Industrial
- Beverage equipment
- Food preparation areas
- Commercial use if required



SOFTENER RANGE

Superior Technology



1 **Bewamat 25A** Automatic Softener

- Automatic volumetric regeneration capability
- Self-disinfecting
- Flow rate of 23 L/min
- Internal bypass activates during regeneration process
- Precise water hardness blending valve
- Regeneration time comes pre-set to occur at 2:00 AM
- WaterMark Approved
- Low regeneration water consumption
- Dual check valve backflow prevention device
- 5 year warranty

2 **Bewamat 75A** Automatic Softener

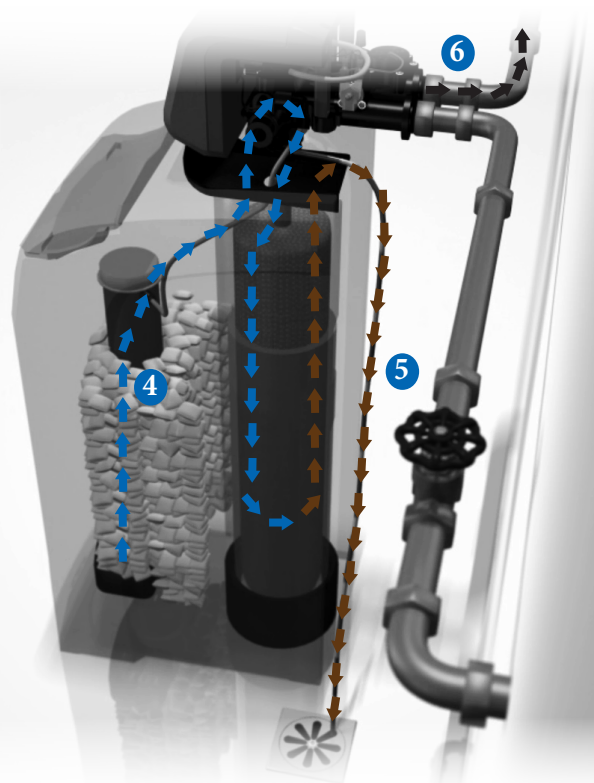
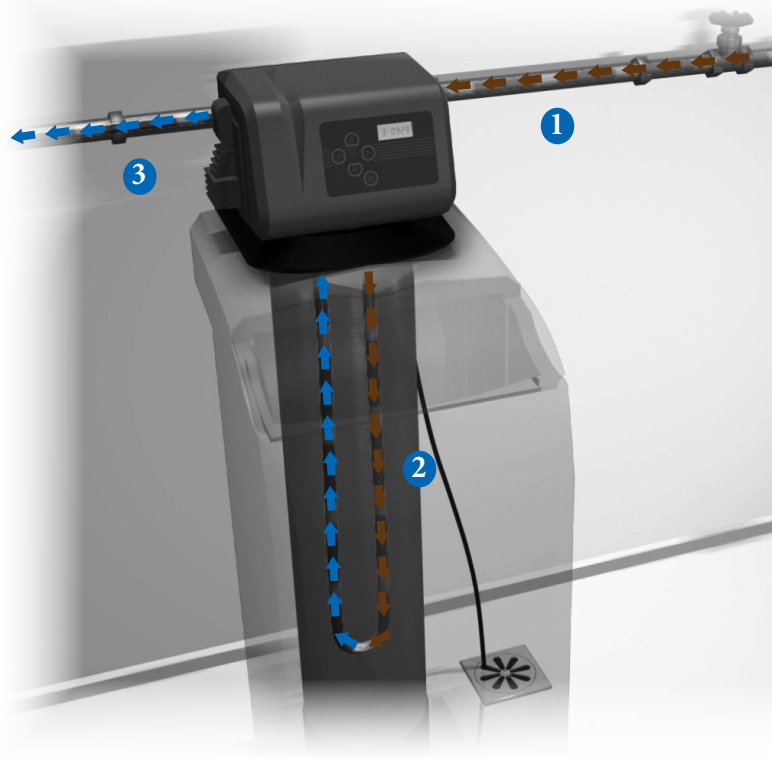
- Automatic volumetric regeneration capability
- Self-disinfecting
- Flow rate of 42 L/min
- Internal bypass activates during regeneration process
- Precise water hardness blending valve
- Regeneration time comes pre-set to occur at 2:00 AM
- WaterMark Approved
- Low regeneration water consumption
- Dual check valve backflow prevention device
- 5 year warranty

SOFTENER RANGE

Technical Information

How

1. Water enters the water softener and flows through the resin tank.
2. The calcium and magnesium carbonates that create hard water are retained within the resin beads, during the ion exchange process.
3. Softened water then flows into the premise.
4. Once the resin tank has depleted its capacity for the amount of calcium and magnesium carbonates it can hold, it will need to regenerate, clean and disinfect itself to replenish its capacity. A concentrated salt water solution (brine) will be flushed through the tank to conduct this regeneration. The BWT Bewamat Softener will conduct this process automatically, at either a pre-set or time that is necessary to continue providing softened water.
5. During the regeneration, all waste water will be flushed down the connected waste.
6. Post regeneration the BWT Bewamat Softener will be ready to go again, and continue providing softened water to the premise.

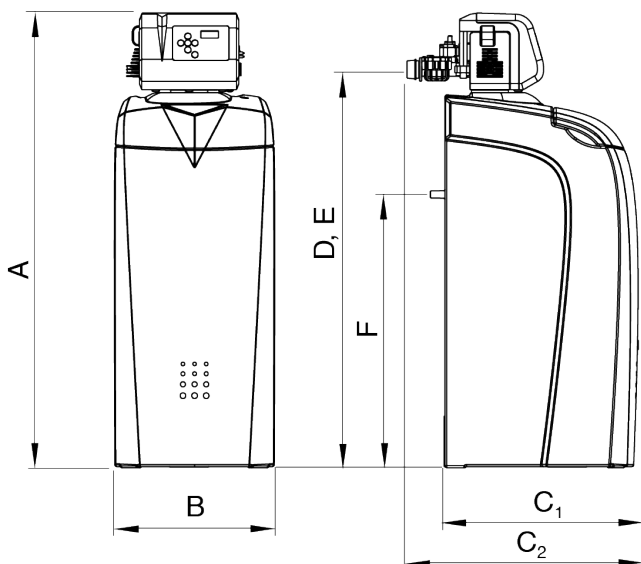


SOFTENER RANGE

Technical Information

Bewamat 25A & 75A

	25A	75A
Product code	1909270	1909271
Regeneration operation	Automatic	
Connection size (BSP)	DN32	
Flow rate	23 L/min	42 L/min
Operating temperature	5 – 40 °C	
Power supply	240V / 50Hz	
Unit operation power	24V DC	
Power consumption during idle operation	4W	
Power consumption during regeneration	38W	
Operating pressure range	250 – 800 kPa	
Nominal pressure (PN)	1000 kPa	
Pressure drop at operating flow	100 kPa	
Regeneration time	35 mins	
Resin	Ion Beads	
Protection class	IP44	
Operating weight, approx.	40 Kg	100 Kg
Shipping weight, approx.	30 Kg	50 Kg
Total height (A)	640 mm	1090 mm
Total width (B)	390 mm	390 mm
Total depth (C ₁ / C ₂)	460 / 560 mm	460 / 560 mm
Water inlet connection height (D)	500 mm	960 mm
Water outlet connection height (E)	500 mm	960 mm
Overflow connection height (F)	280 mm	650 mm
Minimum sewage system connection	DN50	





Reece. Works for you.™

Call **1800 032 566** or visit www.reece.com.au for your nearest Reece store.
Due to limitations in the printing process the colours in this brochure are a guide only.
The manufacturer/distributor reserves the right to vary specifications or delete models from their range without prior notification. The manufacturer/distributor takes no responsibility for printing errors.
V1 [BROCHURE CODE 2131567]

