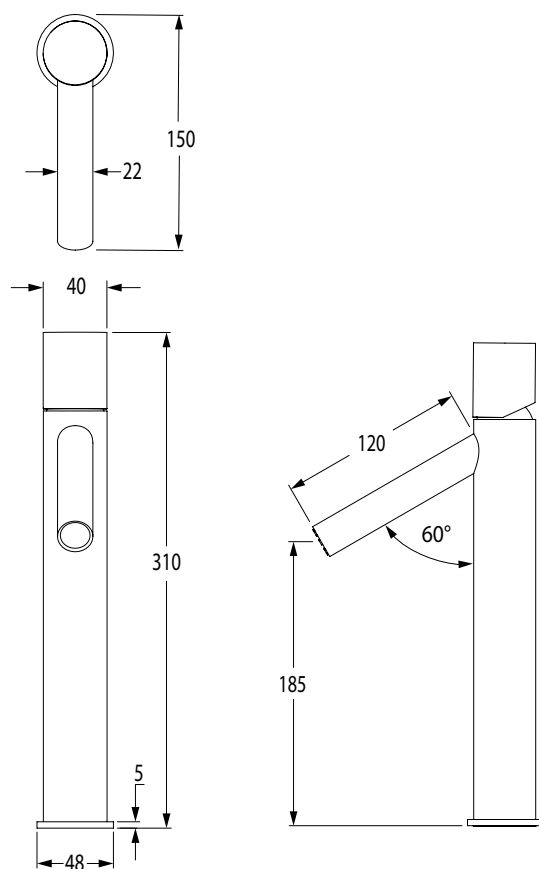


# MILLI

## PURE EXTENDED BASIN MIXER



Dimensions are nominal measurements only.

### SPECIFICATIONS

<b>Recommended Use</b>	Domestic, Hotel and Commercial
<b>Finish</b>	Chrome, Matt Black, Rose Gold, Brushed Gunmetal
<b>Pressure Rating</b>	Recommended working pressure 300 - 500Kpa
<b>Temperature Rating</b>	Max continuous working temperature 65 deg. C
<b>Suitable Hot Water Units</b>	Storage Tank: Yes Continuous Flow: Yes Gravity Feed: Not recommended



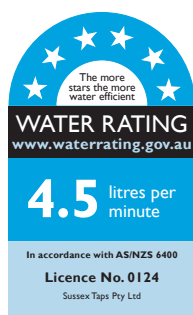
### CLEANING RECOMMENDATIONS

We recommend the use of soapy water or approved cleaners.

This product should not be cleaned with abrasive materials.

Damage caused by any improper treatment is not covered by the product warranty. Refer to Warranty Conditions.

To see the complete MILLI range go to  
[www.reece.com.au/bathrooms](http://www.reece.com.au/bathrooms)



**Disclaimer:** Products in this specification manual must by regulation be installed by licensed and registered trade people. The manufacturer/distributor reserves the right to vary specifications or delete models from their range without prior notification. Dimensions are nominal measurements only. Dimensions and set-outs listed are correct at time of publication however the manufacturer/distributor takes no responsibility for printing errors.

Tech Page Version 1

Melli

reece

# MILLI

## PURE EXTENDED BASIN MIXER

### INSTALLATION INSTRUCTIONS

Tapware is to be installed by a Licenced Plumber in accordance with AS/NZS 3500:2003

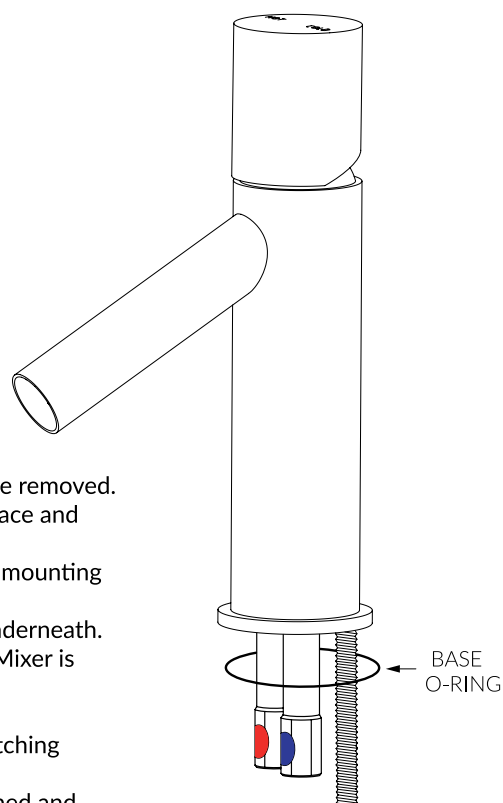
Surface clearance hole size to be between 32 - 35mm.  
Maximum Bench/Hob thickness is 50mm

Recommended working water pressure 300 - 500 Kpa.  
Maximum water temperature is 65 deg.C.

- The Mixer is supplied assembled, only the Fixing nut and the Clamp need to be removed.
- After removing the mentioned parts, lower the Mixer on to the mounting surface and fit the Flexible Hoses.
- In some cases the Flexible Hoses may need to be fed through from under the mounting surface and then attached. (Tighten using appropriate spanner)
- After securing the Flexible Hoses, fit Clamp and attach the Fixing Nut from underneath.
- Before fully securing the Mixer ensure that the Base O Ring is intact and the Mixer is properly centered over the mounting surface hole.
- The Mixer mounting surface must be completely sealed and water-tight.
- The 1/2" Fittings of the Flexible Hoses have a conical seal, ensure that the matching threads are cut square and burr free.
- Prior to connecting the Flexible Hoses, ensure all pipework is thoroughly flushed and free of any dirt or debris.
- Isolating Stop Valves are recommended with all installations. (not supplied)
- Connect the Flexible Hoses to Hot and Cold pipework fittings, ensure the Hoses do not kink or become twisted when tightening.
- Check all fittings and connections are secure and water-tight.

#### PLUMBER NOTE:

- On-site testing using higher water pressures must be conducted with the Mixer in the closed position. (STATIC TEST)
- Under no circumstances is the Mixer to be opened when exceeding the maximum stated water pressure.
- At the completion of testing, do not relieve any high water pressure by operating the Mixer.
- Exposing the internals of the Mixer Cartridge to higher than specified water pressures will void the manufacturers warranty.



50mm Max.  
Bench thickness

Hole Size  
32-35mm



CLAMP



FIXING  
NUT

1/2" BSP Fittings  
with conical Seals

FLEXIBLE HOSES



April 2016

Plumbers, please ensure a copy of the installation instructions is left with the end user for future reference