

EUROSMART NEW
SINGLE LEVER SHOWER MIXER TRIMSET
TRIMSET MODEL #29339003

*Pure Freude
an Wasser*



Product Specifications



Product Description:
Single Lever Shower/Bath Mixer Trim Set

Standard Specification:

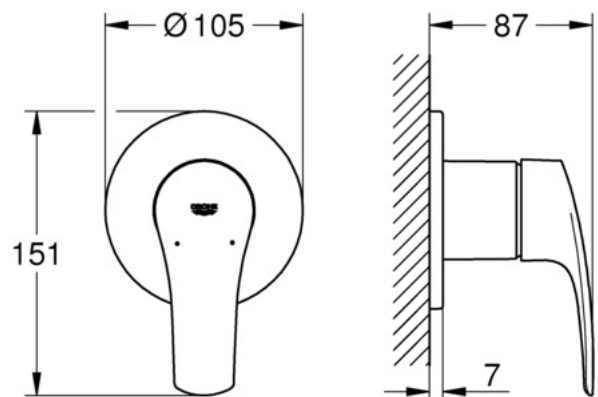
Concealed Inwall Body for installation - 32962001

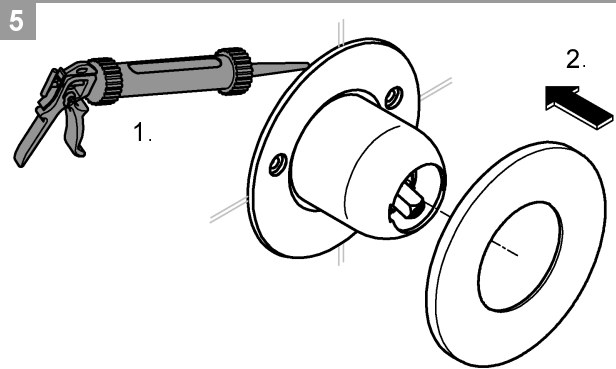
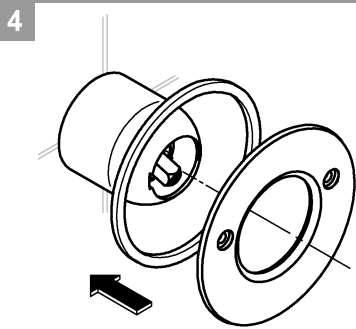
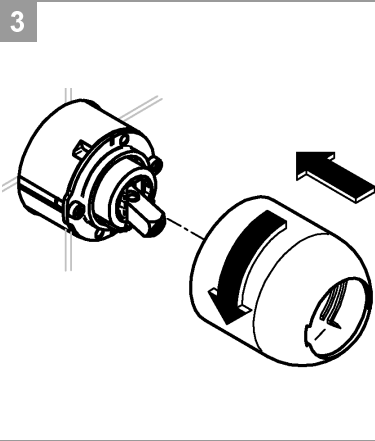
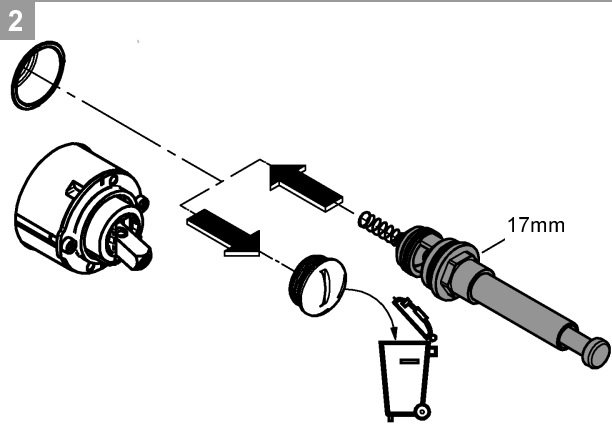
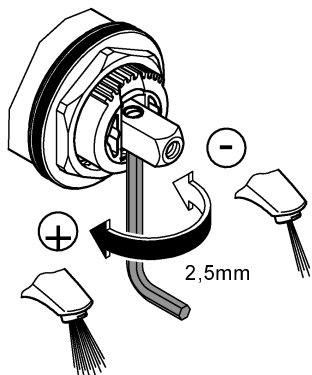
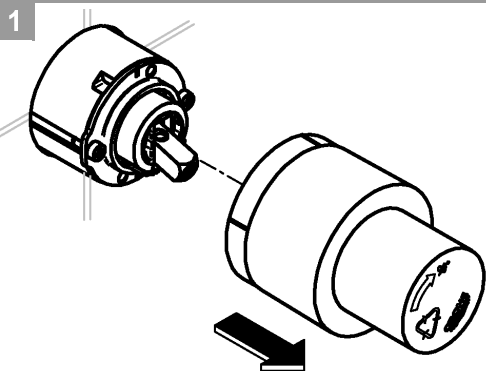
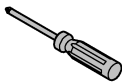
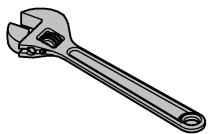
Trimset only, not supplied with concealed body.

GROHE StarLight® chrome finish

GROHE SilkMove® 46 mm Ceramic Cartridge

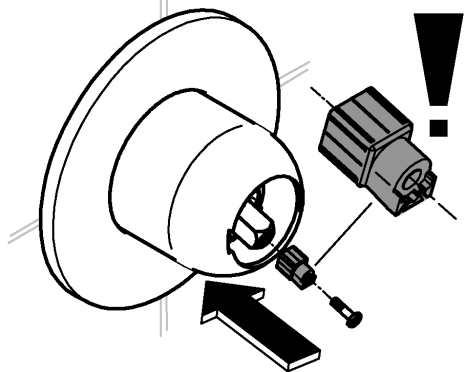
Adjustable flow rate limiter with temperature limiter



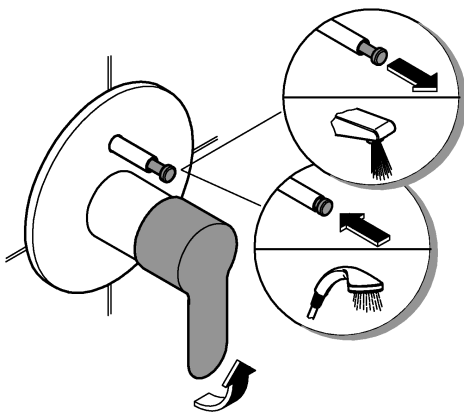
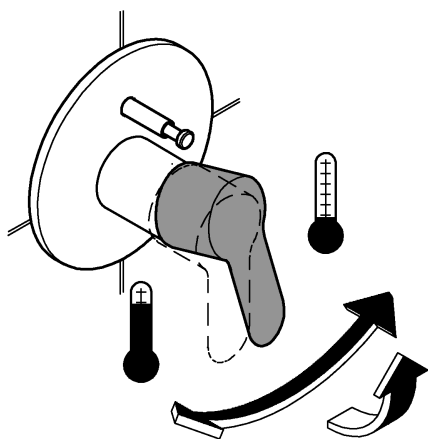
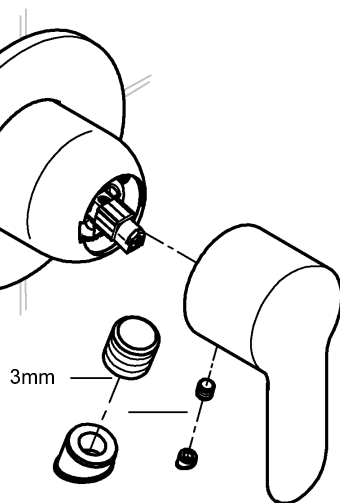


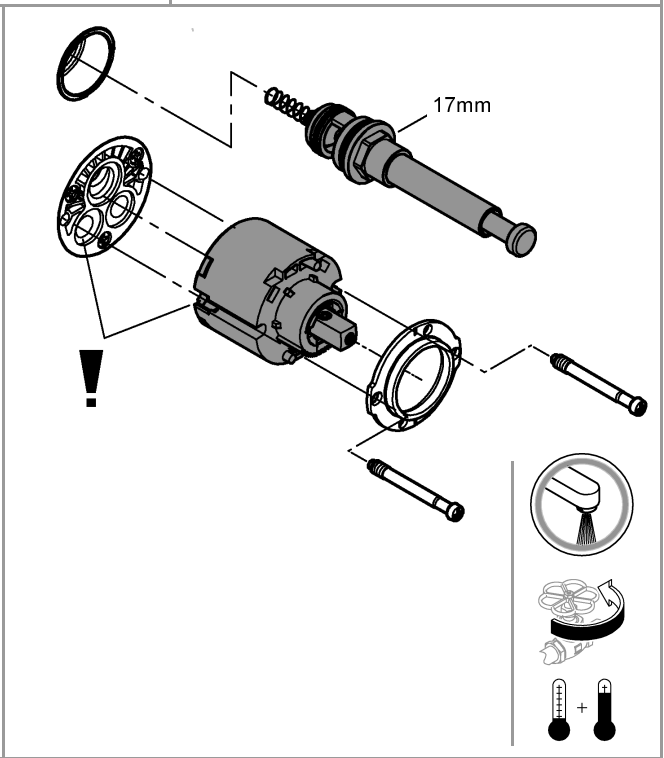
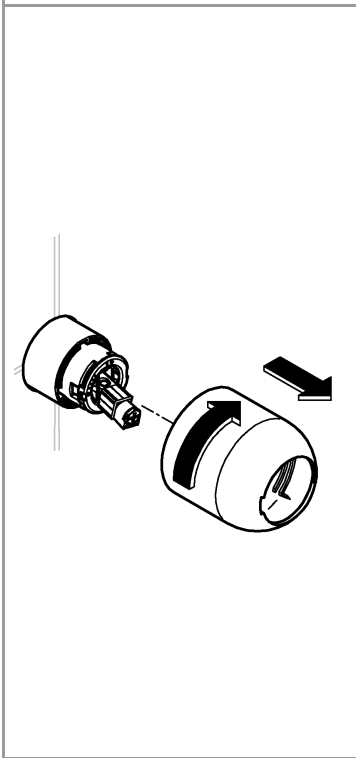
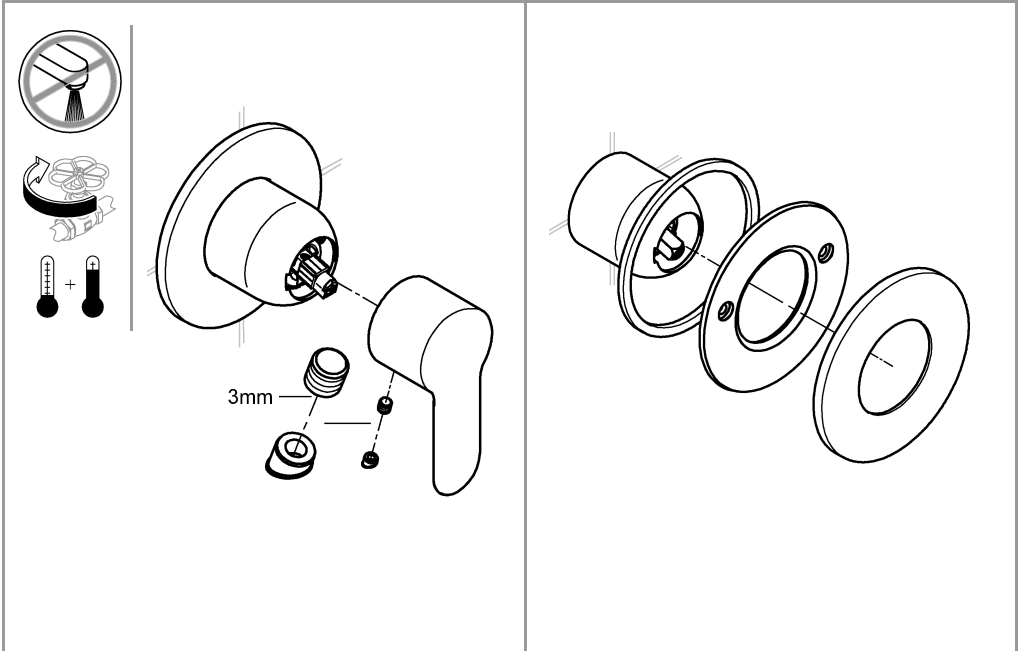


6



7





Application

- 29 339: for shower
- 29 348: for bath

Can be used in conjunction with:

- Pressurised storage heaters
- Thermally controlled instantaneous heaters
- Hydraulically controlled instantaneous heaters

Operation with unpressurised storage heaters (open water heaters) is **not** possible.

Specifications:

- Flow pressure min. 50 kPa - recommended 350 - 500 kPa
- Operating pressure max. 1000 kPa

If static pressure is greater than 500 kPa, fit pressure reducer. Avoid major pressure differences between hot and cold water supply.

- Temperature
Hot water inlet: (maximum) 70 °C
Recommended: (energy saving) 60 °C
- Thermal disinfection possible
- An approved safety device is prescribed according to EN 1717 for combining with bath fillers and pop-up overflows



Installation

Flush piping system prior and after installation of fitting thoroughly (Consider EN 806)!

This product must be installed in conformance with local codes e.g. AS/NZS 3500 series of standard!

Installation, see Fig. [1] - [7].

Refer to the dimensional drawing.

Installation Instructions

Flush piping system prior and after installation of fitting thoroughly!

This product must be installed in conformance with local codes e.g. AS/NZS 3500 series of standard!

Installation and connection, see Figs [1] to [6].

Refer to the dimensional drawing above. For installation with 32962001 concealed in-wall body.

PLEASE NOTE – Face of noggins need to be positioned a minimum of 43mm & a maximum of 73mm from where the finished wall surface will end up.

Open cold and hot-water supply and check connections for watertightness!



Check fitting for correct operation.



Maintenance

Inspect and clean all parts, replace as necessary and grease with special grease.

Shut off cold and hot water supply!

Replacing the cartridge.

Assemble in reverse order.

Observe the correct installation position!

Make sure that the cartridge seals engage in the grooves on the housing. Screw in and tighten screwing.



Replacement parts

Care

For directions on the care of this fitting, refer to the accompanying Care Instructions.

Note:

When installing concealed mixer body, please note it must be mounted onto timber or solid walls using appropriate reinforcement to ensure sufficient strength.

Open cold and hot water supply and check connections for leakage!

Care

For directions on the care of this fitting, please refer to the accompanying care instructions.

AUS

Tel.: 1800 080 055

Email:
customer.care@reece.com.au



NZ

Tel.: +64 09 573 0490

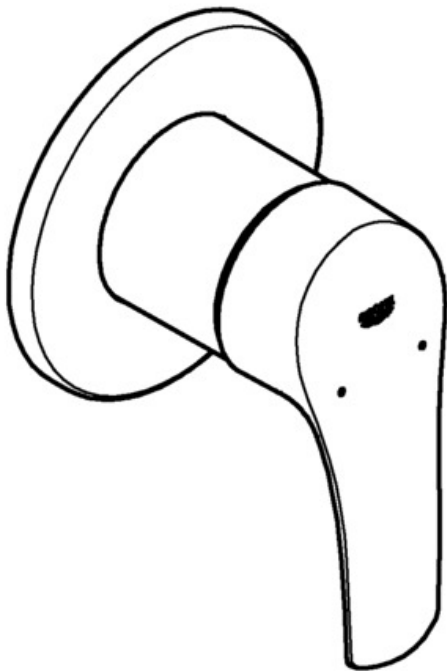
Email: sales@robertson.co.nz

EUROSMART NEW
SINGLE LEVER SHOWER MIXER TRIMSET
MODEL #29339003

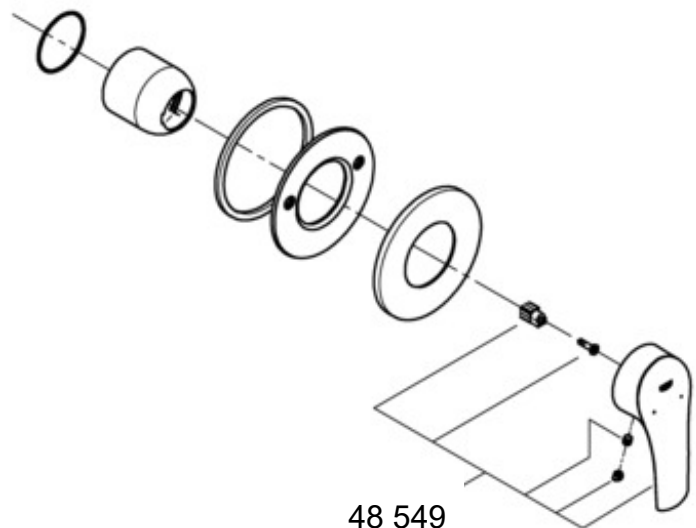
*Pure Freude
an Wasser*



Spare Parts

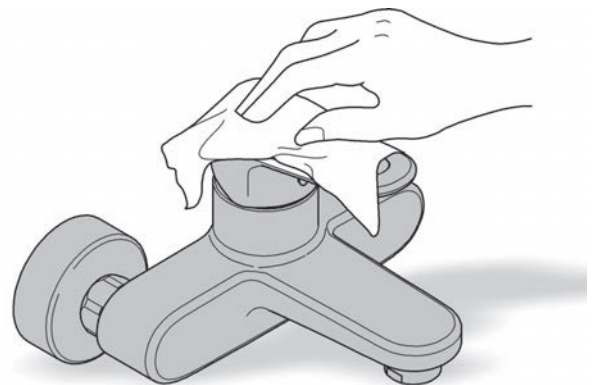
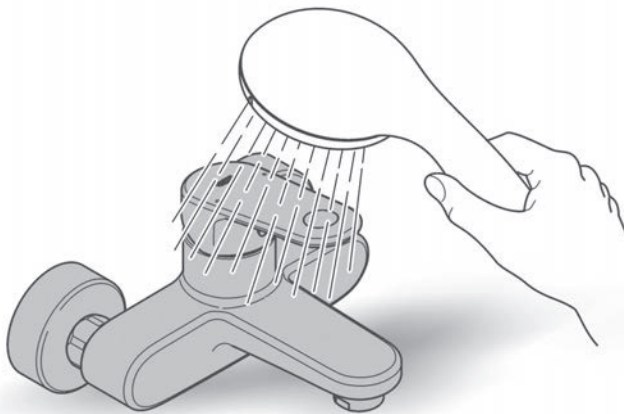
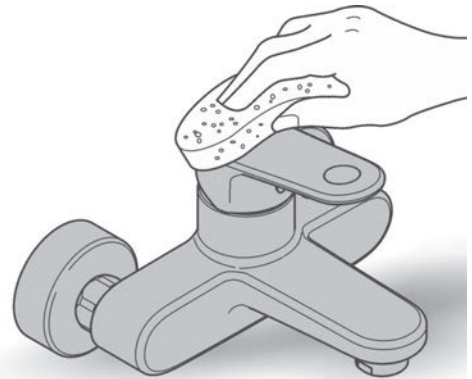


Pos.-nr.	Product Description	Order-nr.	Units per package
1	Lever	48549000	1

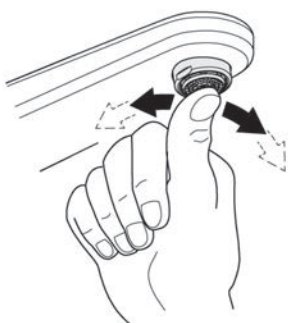




48166000



SpeedClean



Pure Freude
an Wasser

GROHE


D

+49 571 3989 333
impressum@grohe.de

A

+43 1 68060
info-at@grohe.com

AUS

+1300 054 945
grohe_australia@lixil.com

B

+32 16 230660
info.be@grohe.com

BG

+359 2 9719959
grohe-bulgaria@grohe.com

CAU

+99 412 497 09 74
info-az@grohe.com

CDN

+1 888 6447643
info@grohe.ca

CH

+41 448777300
info@grohe.ch

CN

+86 21 63758878

CY

+357 22 465200
info@grome.com

CZ

+420 277 004 190
grohe-cz@grohe.com

DK

+45 44 656800
grohe@grohe.dk

E

+34 93 3368850
grohe@grohe.es

EST

+372 6616354
grohe@grohe.ee

F

+33 1 49972900
marketing-fr@grohe.com

FIN

+358 10 8201100
teknocalor@teknocalor.fi

GB

+44 871 200 3414
info-uk@grohe.com

GR

+30 210 2712908
nsapountzis@ath.forthnet.gr

H

+36 1 2388045
info-hu@grohe.com

HK

+852 2969 7067
info@grohe.hk

I

+39 2 959401
info-it@grohe.com

IND

+91 124 4933000
customercare.in@grohe.com

IS

+354 515 4000
jonst@byko.is

J

+81 3 32989730
info@grohe.co.jp

KZ

+7 727 311 07 39
info-cac@grohe.com

LT

+372 6616354
grohe@grohe.ee

LV

+372 6616354
grohe@grohe.ee

MAL

+1 800 80 6570
info-singapore@grohe.com

N

+47 22 072070
grohe@grohe.no

NL

+31 79 3680133
vragen-nl@grohe.com

NZ

+09 573 0490
sales@robertson.co.nz

P

+351 234 529620
commercial-pt@grohe.com

PL

+48 22 5432640
biuro@grohe.com.pl

RI

+62 21 2358 4751
info-singapore@grohe.com

RO

+40 21 2125050
info-ro@grohe.com

ROK

+82 2 559 0790
info-singapore@grohe.com

RP

+63 2 8041617

RUS

+7 495 9819510
info@grohe.ru

S

+46 771 141314
grohe@grohe.se

SGP

+65 6 7385585
info-singapore@grohe.com

SK

+420 277 004 190
grohe-cz@grohe.com

T

+66 2610 3685
info-singapore@grohe.com

TR

+90 216 441 23 70
GroheTurkey@grome.com

UA

+38 44 5375273
info-ua@grohe.com

USA

+1 800 4447643
us-customerservice@grohe.com

VN

+84 8 5413 6840
info-singapore@grohe.com

AL **BIH** **HR** **KS**

ME **MK** **SLO** **SRB**

+385 1 2911470
adria-hr@grohe.com

**Eastern Mediterranean,
Middle East - Africa
Area Sales Office:**

+357 22 465200
info@grome.com

IR **OM** **UAE** **YEM**

+971 4 3318070
grohedubai@grome.com

Far East Area Sales Office:

+65 6311 3600
info@grohe.com.sg