

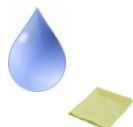
# KARTELL BY LAUFEN

## FREESTANDING BATH

### SOLID SURFACE CARE INSTRUCTIONS

#### Everyday clearing of the Graphyd® products

To keep Graphyd® products clean please follow some simple rules.



The best method to remove stains from soap and water which can appear during everyday use is to wipe up spills as they occur. Just use a soft damp cloth (i.e. cotton).



To remove stains which need more attention use the cleaning cream milk or the detergents dedicated to day-to-day cleaning of bathroom.



The removal of the limescale and of the rust should be done by the soft damp cloth and the detergent for those kind of stain.



After the product clearing rinse all areas thoroughly with hot water removing the detergent from all surfaces. We recommend to towel whole product to keep Grapyd In perfect condition.



It is recommended to protect the surface of the product with the additional coating before first use of composite material products.

#### Resistant stains



All strong stains caused by e.g. cosmetics, coffee, wine, cigarette ash or detergents should be removed immediately by taking out the substance excess with a soft cloth. Then apply a cleaning method, as in the case of daily care.



If the stain is not removed we can use slightly abrasive preparations (Cif, cream milk). The cream milk should be applied on the stain with a soft, damp cloth. It's necessary to remove the stain by circular movements. For stronger dirt we can use fine-grained sandpaper.

# KARTELL BY LAUFEN

## FREESTANDING BATH

### Renew of the surface finishing



If after clean up of the stain, the place will change texture ( will become matt), you can restore the original look of the surface by polishing it with a damp, soft cloth and the detergent (cream milk). After cleaning, always remove the leftover of the cleaner using a large quantity of hot water. To prevent the stains of water dry the product.

### Scratches removal – product renew



One of the Graphyd® advantages is the renew possibility. The homogenous structure of this material allows to renew and to bring a primary apperance of product eben after several years. The repair is made by the Roca Network Service. Please contact our call center 801 88 76 22 to find the closer serviceman.

### General remarks - Graphyd® specification

Any material, incorrectly maintained may be damaged. The most common problems and the possibility of losing warranty benefits may be caused by:



- the use of harsh chemicals (e.g. acetone, solvents-based measures, measures to drain sewage system, etc.),
- contact of the product with chemicals, boiling liquids and hot objects,
- mechanical damage, and in particular the impact or scratch.

Dark colors are less resistant for scratches Day-to-day wear. It's a standard characteristic of all solid surface materials..

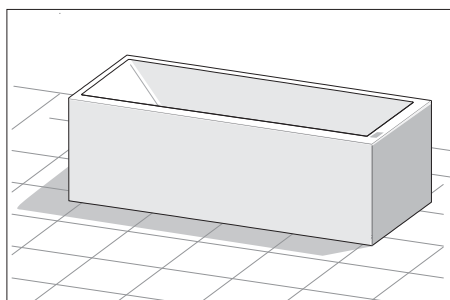
# KARTELL BY LAUFEN FREESTANDING BATH

# LAUFEN Bathtub

## Kartell by Laufen



176 x 76 Art.-No. 2.2233.2



**EN** This instruction must be given to the user.

Guarantee/Liability only when assembled by an approved specialist in accordance with the instructions and local regulations.

### EN General installation instructions

#### **EN** User manual



#### **Protection from damage Instructions for use**

These instructions for use must be carefully read before installation.

#### **Check on content of delivery and condition of the components**

Check delivery after receipt for completeness and possibly damage (see parts list on page 7). Inform the dealer immediately when damage is apparent. We are not liable for damage arising during or after installation/fitting.

#### **Check door width before starting work**

Does the bath pass through the door of the room in which the bath will be installed? Required minimum door width: See dimensions page 5-6.

#### **Lifting/moving**

The bath must only be lifted/moved using the transport straps provided - never use the hoses or installation parts.

#### **Laying circuits**

Do not lay any circuits under the bath.

Use suitable protective covers to prevent damage to surfaces and blockages by dirt or dust arising during fitting. Cover sensitive components (drain, nozzles, control panel) temporarily with a protective cover before starting the installation/fitting.

#### **Special precautions**

When cleaning the tiles, make sure that no ammoniac or a similar aggressive cleaning agent come into contact with the installed parts.

#### **Water connection through the water massage or overflow.**

This connection must absolutely be effected by a qualified specialist.

**Feed rate: Maximum 20 litres/min**

**(EN 200) Overflow rate: Minimum 36**

**litres/min (EN 274) Drainage rate:**

**Minimum 48 litres/min (EN 274)**

#### **Checking that the tub is waterproof**

After connecting the water supply and drainage pipes, the tub must be filled and examined to ensure that it is waterproof.

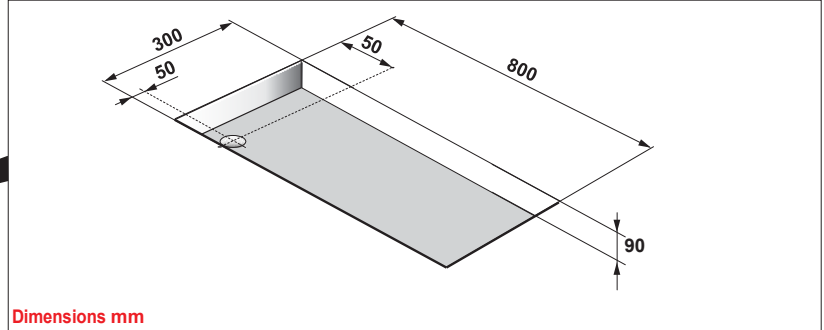
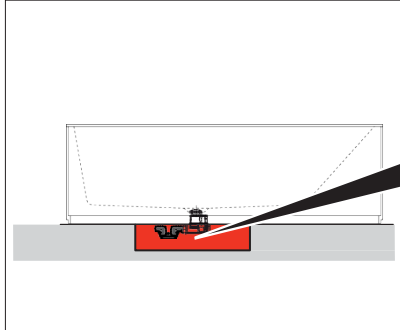
**Changes allowed:** Laufen reserves the right to make changes or modifications on any of its products without notice.

**Don't risk it, use a licensed plumber.™**

**Kartell** ® **LAUFEN**

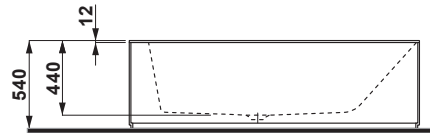
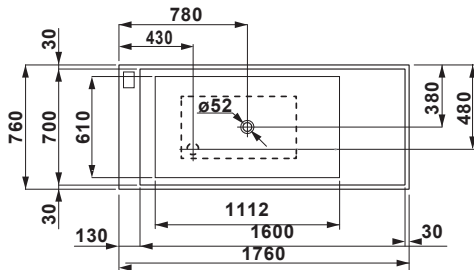
**reecer**™

# KARTELL BY LAUFEN FREESTANDING BATH



Dimensions mm

Art.-No. 2.2233.2



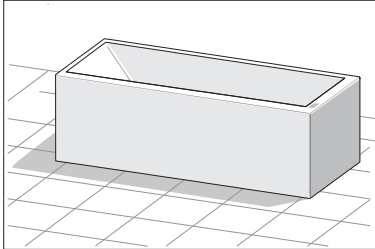
Don't risk it, use a licensed plumber.™

# KARTELL BY LAUFEN FREESTANDING BATH

EN Parts list

EN Tub assembly installation instructions

176 x 76 Art.-No. 2.2233.2

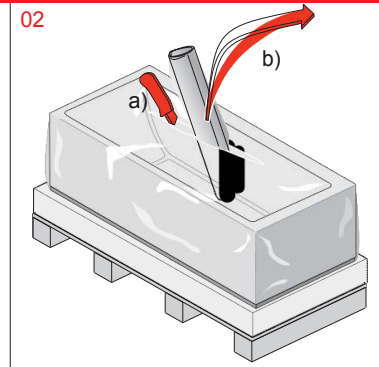
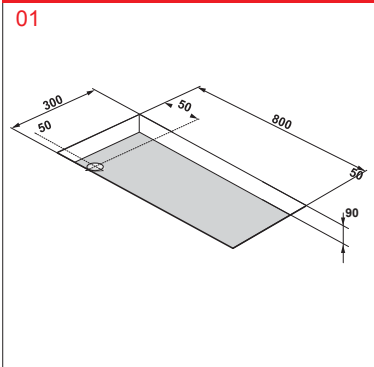


10x Art.-No.: 2.9033.4.000.000.1  
4x Art.-No.: 2.9033.6.000.000.1  
Art.-No.: 2.9443.9.000.000.1  
DN40  
DN50  
Art.-No.: 2.9433.9.000.000.1

**Option 627**

Art.-No.: 2.9473.9.000.000.1  
Art.-No.: 2.9033.3.000.000.1  
Art.-No.: 2.9033.8.000.000.1  
Art.-No.: 2.9980.0.000.000.1  
Art.-No.: 2.9504.7.000.000.1

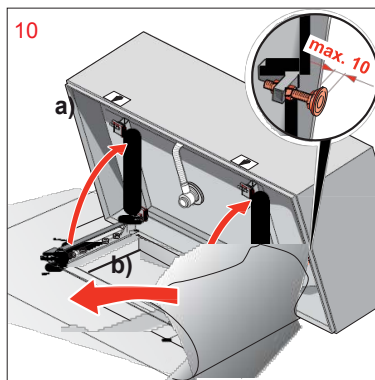
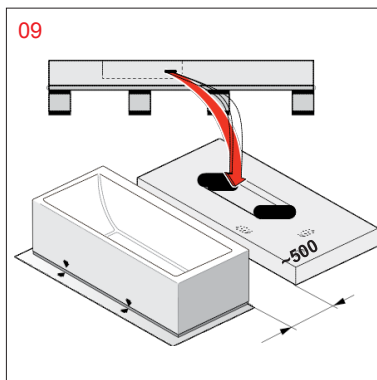
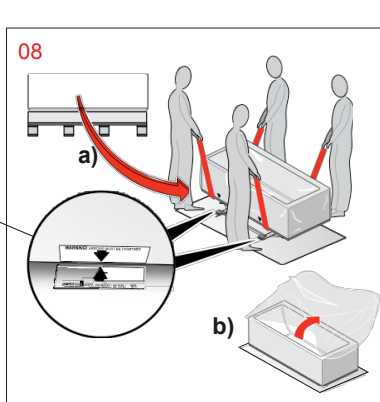
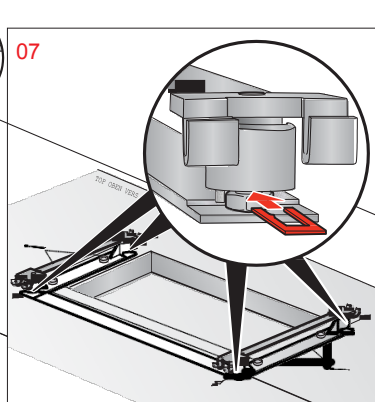
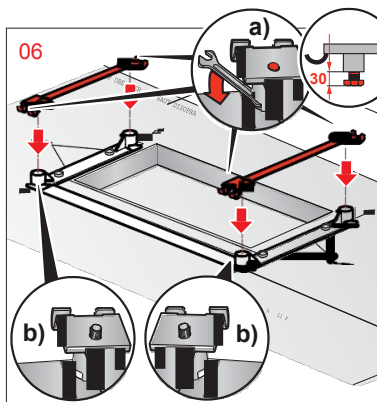
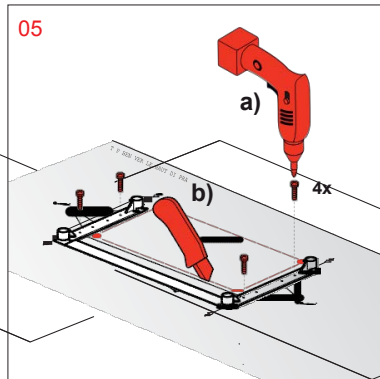
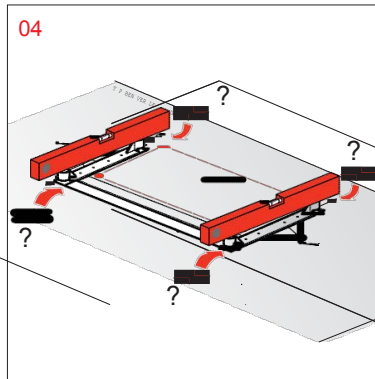
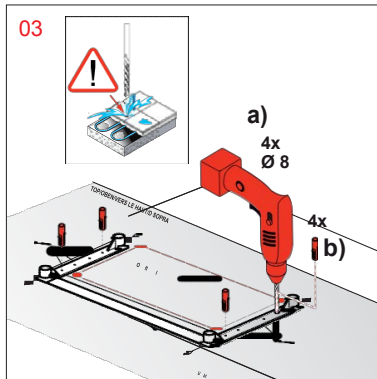
Art.-No. 2.2233.2



EN

Don't risk it, use a licensed plumber.™

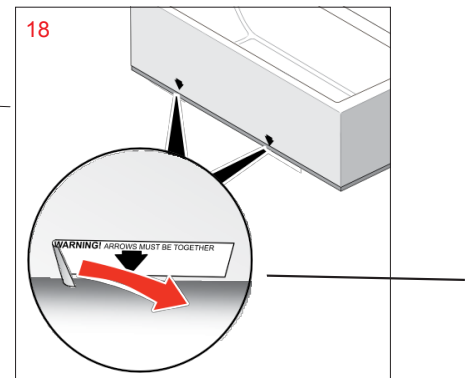
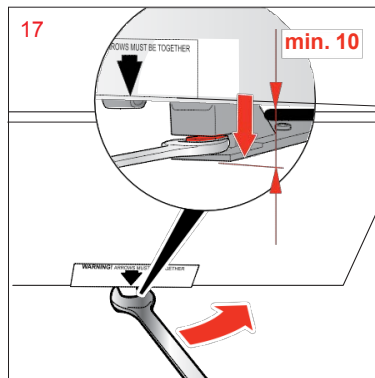
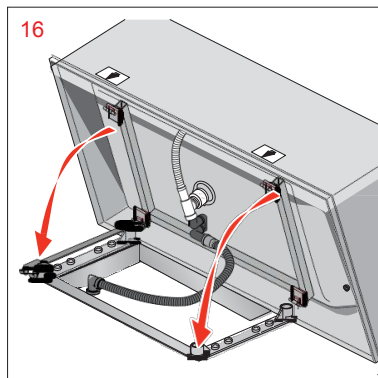
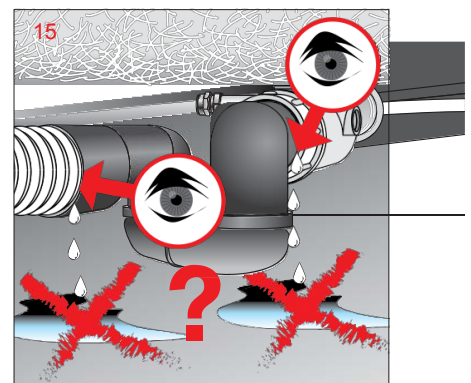
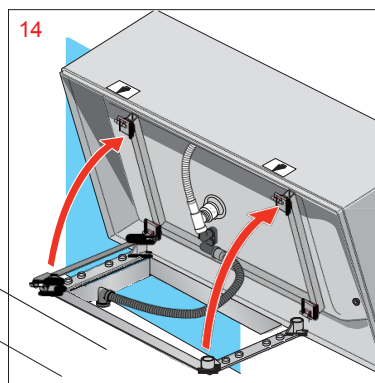
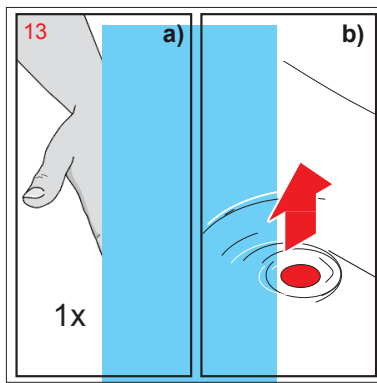
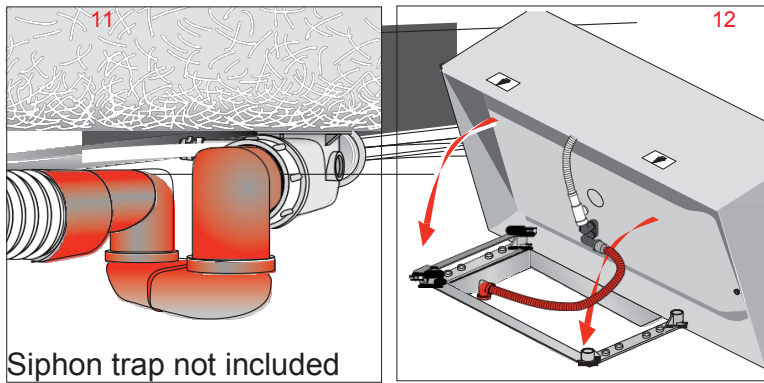
# KARTELL BY LAUFEN FREESTANDING BATH



EN

Don't risk it, use a licensed plumber.™

# KARTELL BY LAUFEN FREESTANDING BATH

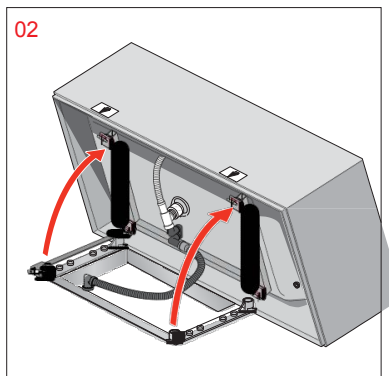
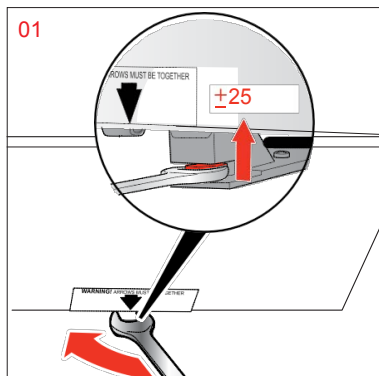


EN

Don't risk it, use a licensed plumber.™

# KARTELL BY LAUFEN FREESTANDING BATH

## Service



### EN General Information, Maintenance Instructions



#### EN General comments on operation and use

For your safety bathtub temperature should not exceed 40°C.

Let water out after each bath. Never leave children in the tub unsupervised.

#### Use

**Beware!** Increased risk of slipping when surface is wet. This is particularly so when using soap, shampoo, bath oil, etc.

#### Maintenance instructions

The surface is simple to clean and maintain. The smooth surface hardly collects dirt. Regular care: Sponge, soft cloth, somewhat antistatic cleaning agent. The tub will thus retain its gloss and reject dirt. To clean your massage tub, please use a soft sponge, liquid soap and water. Rub dry with a dry cloth.

Avoid the use of abrasives or solvents which damage the surface of the tub.

After long contact periods, several substances like ink, cosmetics and dyes may leave colouring stains. Lit cigarettes can leave burning rings.

These stains and spots as well as scratches or other small damages can be removed following the recommendations below:

Remove heavy dirt with liquid household cleaner e.g. dishwash detergents or liquid soap (observe dilution instructions).

Remove lime marks with a decalcifier. Always rinse with plenty of clean water. Give a final polish with a soft cloth. Use no acid cleaning agents or cleaning vinegar.

#### Damage

Scratched surfaces should always be treated by a specialist. Serious damages can be repaired with the maintenance kit (2.9996.4.000.000.1). Mix filler and catalyst to a complete dispersion of liquid substance. Apply the filler on the damaged part and let it cure for at least 12 hours at minimum 15°C.

Rub the cured filler with a 220 grain glass-paper and also the part around to eliminate any non-homogeneous parts. Clean the surface as described above.

**Damage resulting from inappropriate treatment by the user will not be covered by our guarantee.**

EN

Don't risk it, use a licensed plumber.™

Kartell® LAUFEN

reecer