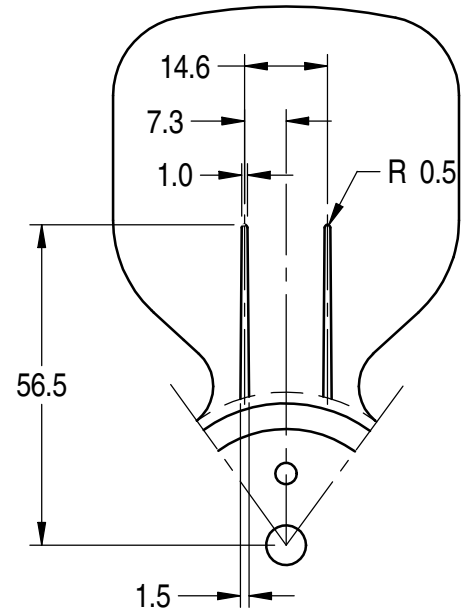
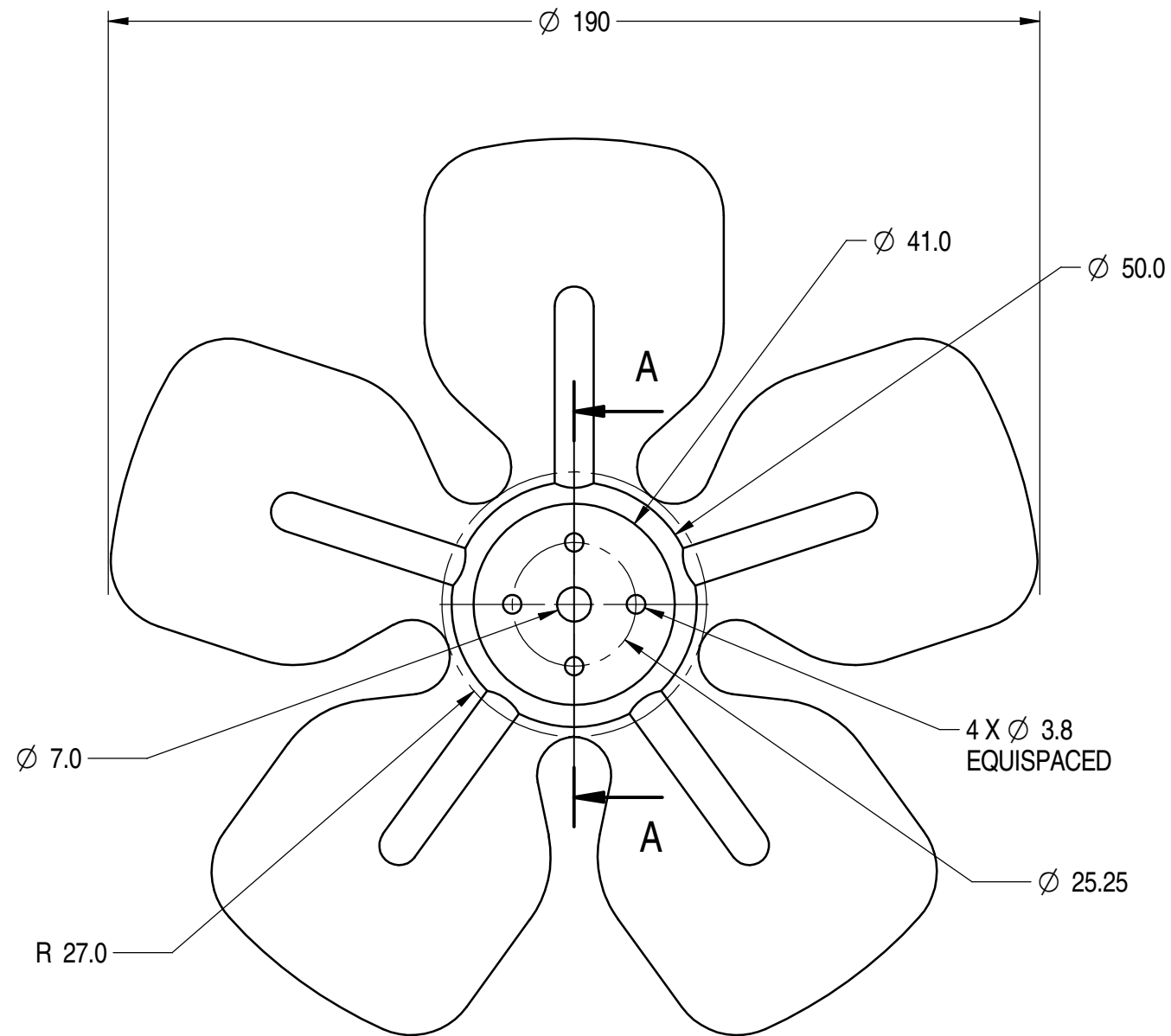
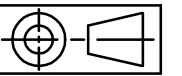
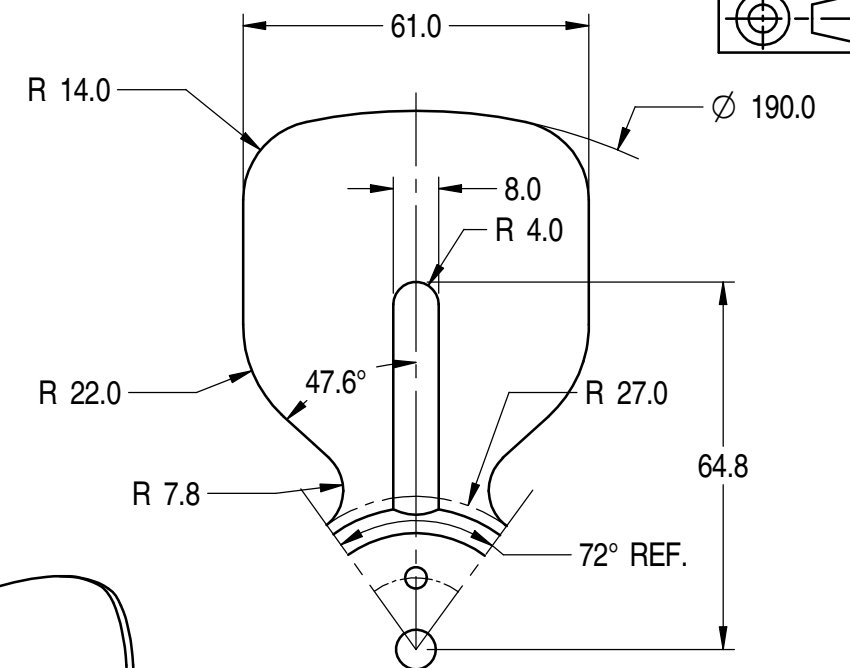


DEBURR & BREAK ALL SHARP EDGES  
UNLESS SPECIFIED

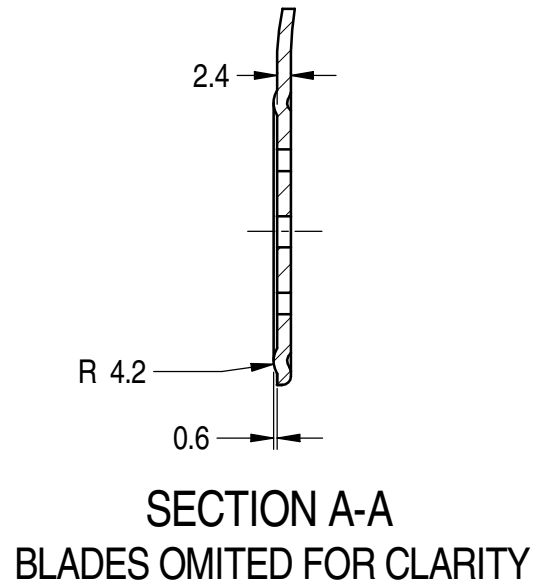
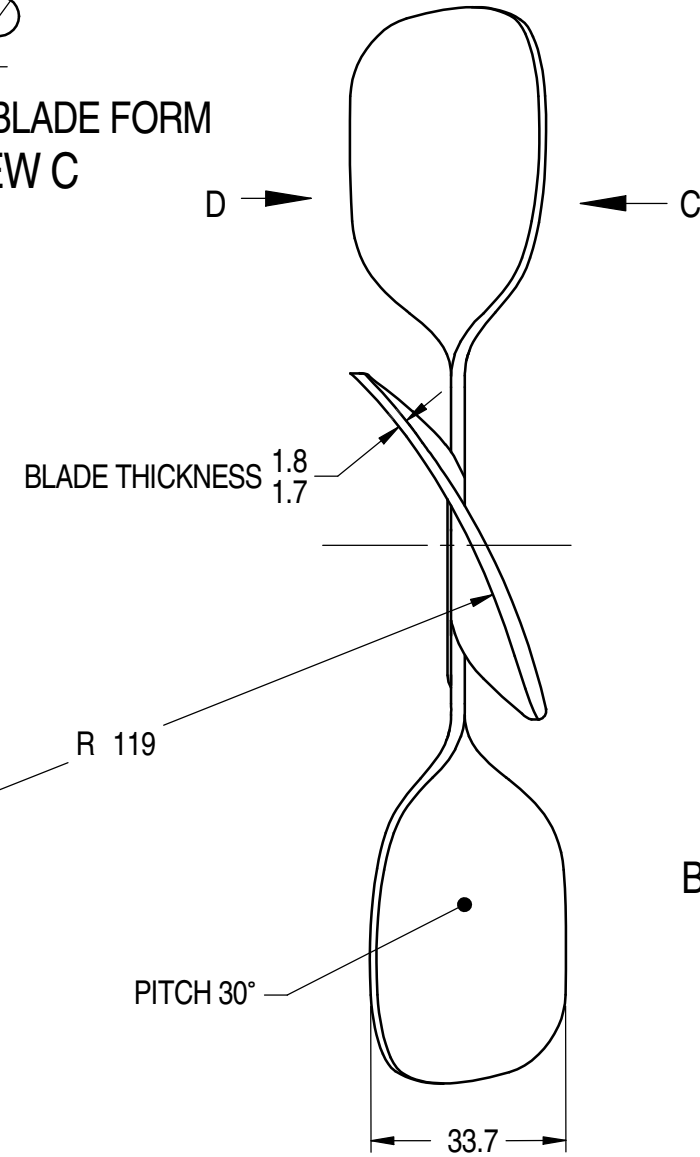
DO NOT SCALE PRINT



PROJECTED BLADE FORM  
VIEW C



PROJECTED BLADE FORM  
VIEW D



NOTE:-  
- MAX. AXIAL RUNOUT TO BE WITHIN  $\pm 2$  M.M.  
- MAX. STATIC OUT OF BALANCE 0.2 g.

DIMENSIONS IN mm UNLESS OTHERWISE SPECIFIED	
GENERAL TOLERANCES	
LINEAR:	X = $\pm 1.0$
	X.X = $\pm 0.25$
	X.XX = $\pm 0.1$
ANGULAR:	X = $2^\circ$
	X.X = $\pm 0.5^\circ$
SURFACE FINISHES MAX 3.0 MICRO METRES SYMBOLS PER A.S. 1100	

This drawing remains the property of Fasco Australia Pty. Ltd.  
No part or parts of this drawing may be reproduced without  
written permission.

MAT'L	POLYPROP. 10% TF F/R	
FINISH	WHITE	
DRAWN	A.MASSEY	03/11/00
CHECKED	BALCHANT	17/11/00
RELEASED	BALCHANT	17/11/00
SCALE	NTS	



198 Boundary Rd, Braeside, Victoria 3195

FRAME	
STATUS	R
SHEET	

BLADE 190 UNI.	
5 PADDLE FLAME RETARDANT	
DWG. NO.	FBP190UWEFR

MIC No.	000846
By:	MURFETTR
Date:	17/11/00
MIC No.	BORE DIAMETER 7.0 WAS 5.5

REVISION	A
----------	---