

mizu

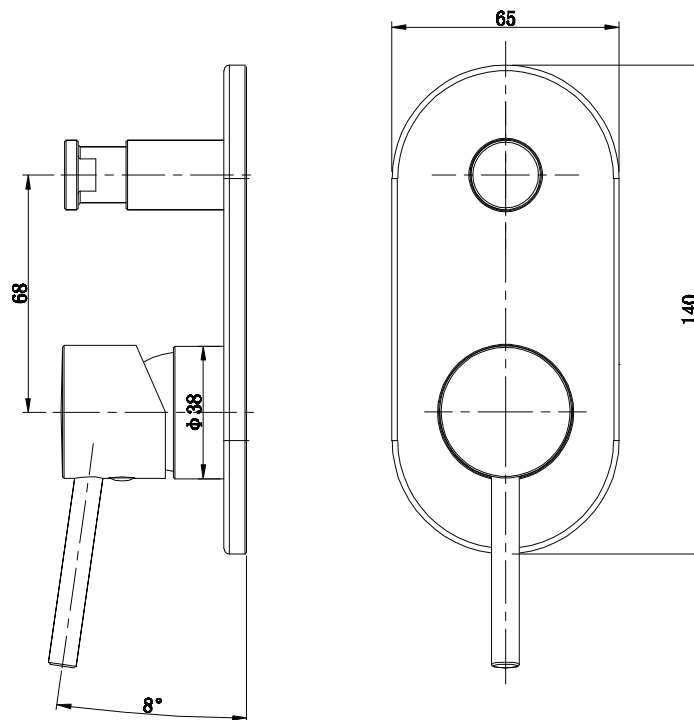
Mizu Drift MK2 Shower Mixer with Diverter Trimset Matte Black

2263867

SPECIFICATIONS	
Recommended Use	Domestic, hotel and commercial
Colour	Matte Black
Material	Brass
Cartridge Type	Ceramic Disc
Recommended Pressure Range	150-500kPa
Max Continuous Working Pressure	1000kPa
Max Continuous Working Temperature	65 deg C
Suitable for Storage Tank Hot Water	Yes
Suitable for Continuous Flow Hot Water	Yes
Suitable for Gravity Feed Hot Water	No
WARRANTY	
Warranty - Domestic Use	10 Years
Spare Parts & Labour	12 Months
<i>Please refer to Warranty Page for full Terms and Conditions</i>	



The Mizu MK2 Shower Mixer Trim Set allows you to install the Universal Inwall Body at installation rough-in stage, then leave the tapware trim set colour choice for later.



Dimensions are nominal measurements only.

CLEANING RECOMMENDATIONS:

We recommend the use of soapy water or approved cleaners. This product should not be cleaned with abrasive materials. Damage caused by any improper treatment is not covered by the product warranty. Refer to Warranty Conditions

Disclaimer: Products in this specification manual must by regulation be installed by licensed and registered trade people. The manufacturer/distributor reserves the right to vary specifications or delete models from their range without prior notification. Dimensions are nominal measurements only. Dimensions and set-outs listed are correct at time of publication however the manufacturer/distributor takes no responsibility for printing errors.

Published 21/05/2021

To see the complete Mizu range go to www.reece.com.au



WaterMark
AS/NZS 3718
WM-022094

