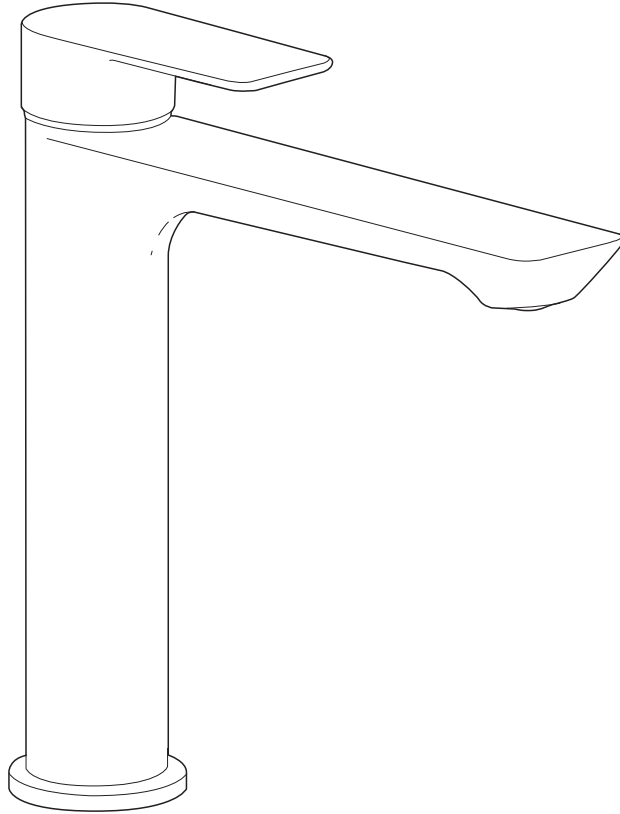
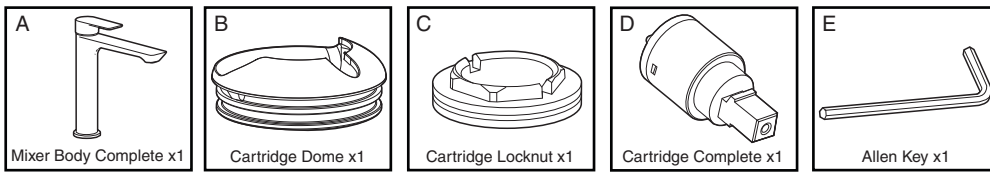




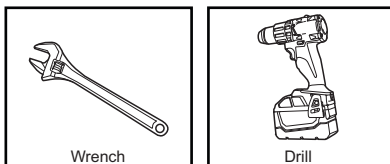
## Milli Trace Medium Height Basin Mixer (5 Star)



### Components Supplied



### Tools Required



### Installation Instructions



**Mixer must be installed to the requirements of AS/NZS 3500 by a qualified plumber. The mixers are factory tested and sealed so as to give the best performance.**



## Milli Trace Medium Height Basin Mixer (5 Star)

### Installation



**Flush out new pipe work prior to connecting the new mixer.**



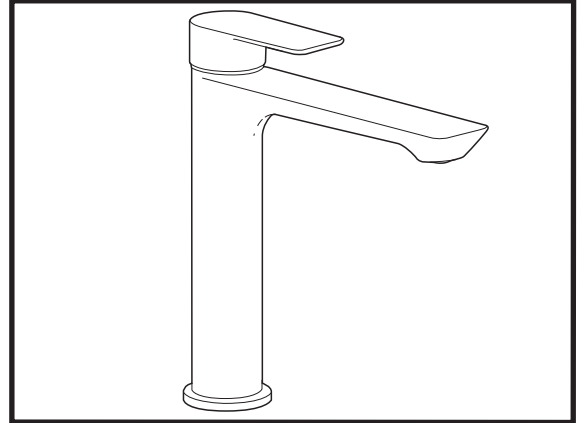
**All mixers should be installed with isolating stop cocks.**



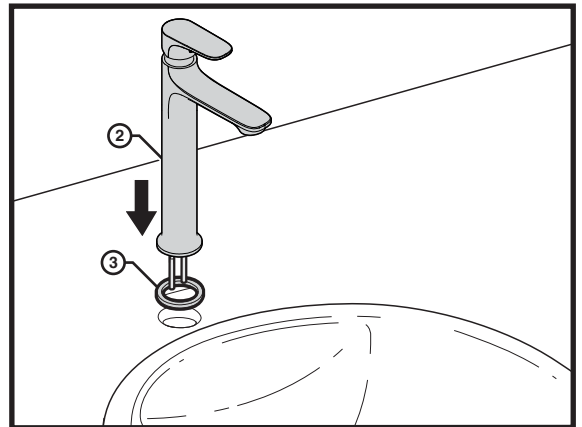
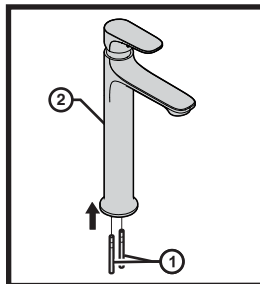
**Maximum continuous operating temperature is 70 degrees.**



**Recommended pressure range is 150Kpa-500Kpa.**



- Fit fixing kit shanks (1) to bottom of the mixer body (2) and position sealing washer (3) around the tap hole.
- Place the tap body (2) into the mounting hole, making sure that the flexible hoses are firmly tightened into the base of the body (2).

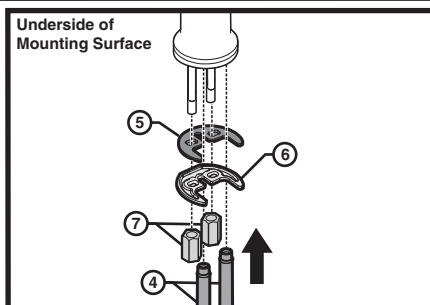
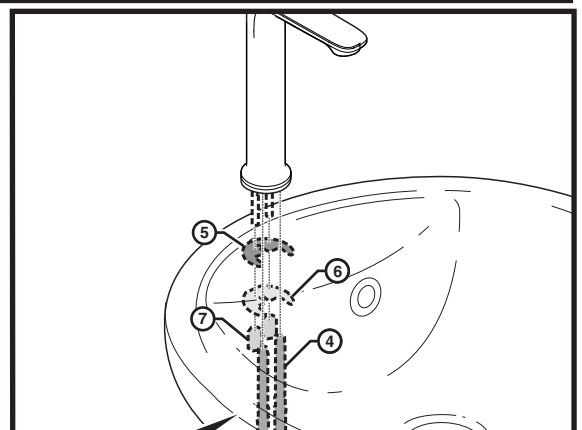


- Connect both the hot and cold flexible hoses (4) hand tight and then half a turn further using a wrench.
- From underneath, apply horseshoe washer (5) prior to positioning the horseshoe plate (6).
- Lock the mixer to the basin or benchtop by tightening the locking nuts (7).
- Connect both the hot and cold flexible hoses (4) to their respective water supplies.
- Ensure that the hoses (4) are not under tension, twisted or kinked.

**Note: Hoses must have minimum bend radius of 30mm.**



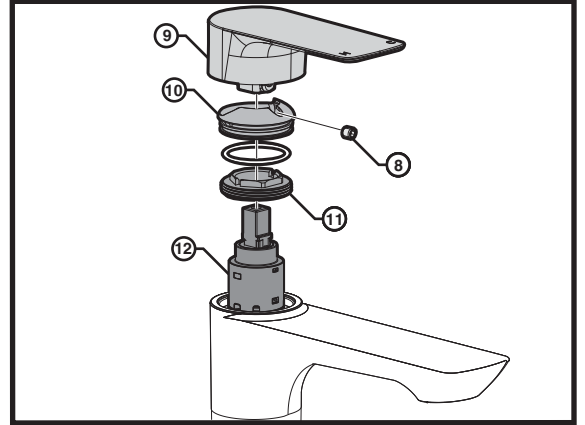
**Check for water leaks after installation.**



## Milli Trace Medium Height Basin Mixer (5 Star)

### Servicing - Replacement of Cartridge

- Unscrew the grub screw **(8)** using an allen key.
- Lift off the handle **(9)** and remove the cartridge dome **(10)**, unscrew the brass locking nut **(11)** and lift out the cartridge **(12)**.
- Replace the cartridge **(12)**, the locking nut **(11)**, the cartridge dome **(10)** and the handle **(9)**.
- Reassemble grub screw **(8)**.



### Care Details

We recommend the use of soapy water or approved cleaners. This product should not be cleaned with abrasive materials. Damage caused by any improper treatment is not covered by the product warranty. Refer to Warranty Conditions

**Plumbers, please ensure a copy of the installation instruction is left with the end user for future reference.**