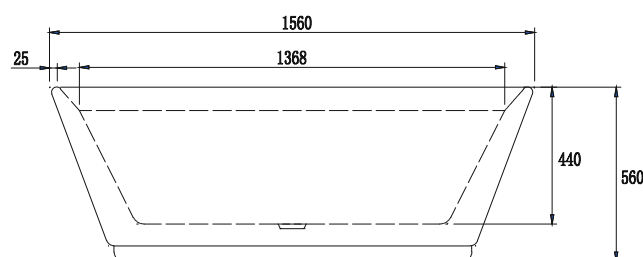
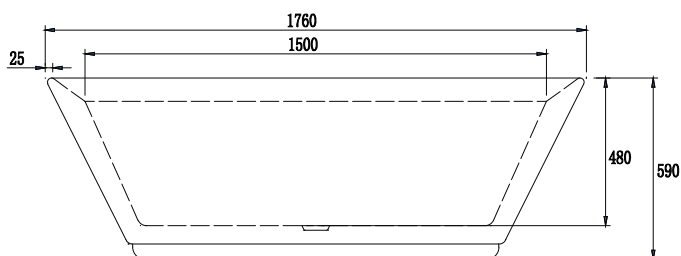
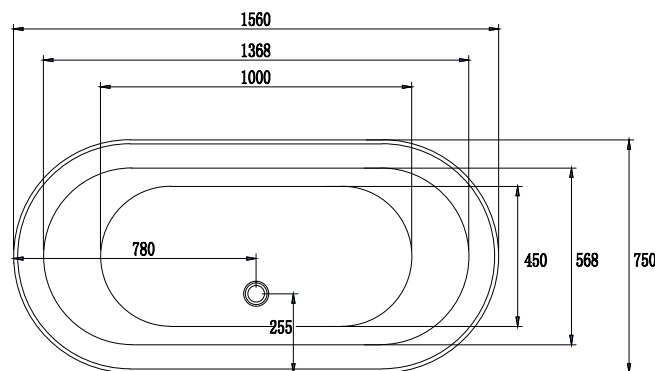
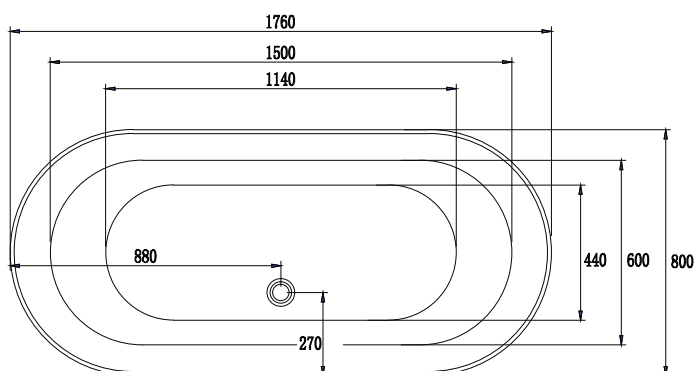


# BASE

## FREESTANDING BATH



### SPECIFICATIONS

<b>Recommended use</b>	Domestic, hotel and commercial
<b>Material</b>	Sanitary grade acrylic
<b>Fixing</b>	Silicone to floor
<b>Overflow</b>	No
<b>Installation</b>	Freestanding
<b>Plug and Waste</b>	Suits 40mm Non Overflow Waste
<b>Colour Availability</b>	White
<b>Capacity</b>	1760mm - 250L 1560mm - 200L



To see the complete BASE range go to  
[www.reece.com.au/bathrooms](http://www.reece.com.au/bathrooms)

### CLEANING RECOMMENDATIONS

We recommend the use of soapy water or approved bathroom cleaners.

This bathroom product should not be cleaned with abrasive materials.

Damage caused by any improper treatment is not covered by the product warranty - refer to Warranty Conditions.

**Disclaimer:** Products in this specification manual must by regulation be installed by licensed and registered trade people. The manufacturer/distributor reserves the right to vary specifications or delete models from their range without prior notification. Dimensions are nominal measurements only. Dimensions and set-outs listed are correct at time of publication however the manufacturer/distributor takes no responsibility for printing errors.

Tech Page Version 4

base

reece