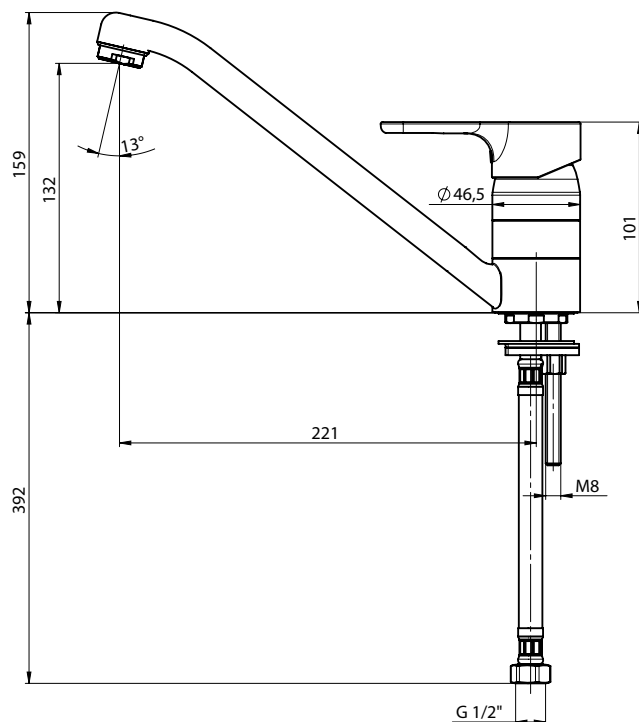


# ROCA

## L20 SINK MIXER



### SPECIFICATIONS

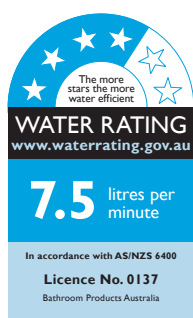
<b>Recommended use</b>	Domestic, hotel and commercial
<b>Colour availability</b>	Chrome
<b>Pressure rating</b>	Maximum continuous operating pressure 1000kPa. For best performance and longer life we recommend 150-500kPa. Hot and cold water inlet pressure should be equal.
<b>Temperature rating</b>	Maximum continuous working temperature 80°C
<b>Suitable Hot Water Units</b>	Storage tank: Yes Continuous Flow: Yes Gravity Feed: Not suitable
<b>Water Efficiency</b>	4 Star, 7.5 L/min
<b>Standards</b>	AS/NZS 3718



To see the complete Roca range go to [www.reece.com.au/bathrooms](http://www.reece.com.au/bathrooms)

### CLEANING RECOMMENDATIONS

We recommend the use of soapy water or approved cleaners. This product should not be cleaned with abrasive materials. Damage caused by any improper treatment is not covered by the product warranty - Refer to Warranty Page for full Terms and Conditions



**WaterMark**  
AS/NZS 3718  
WMKA 25255

**Disclaimer:** Products in this specification manual must by regulation be installed by licensed and registered trade people. The manufacturer/distributor reserves the right to vary specifications or delete models from their range without prior notification. Dimensions are nominal measurements only. Dimensions and set-outs listed are correct at time of publication however the manufacturer/distributor takes no responsibility for printing errors.

Tech Page Version 1

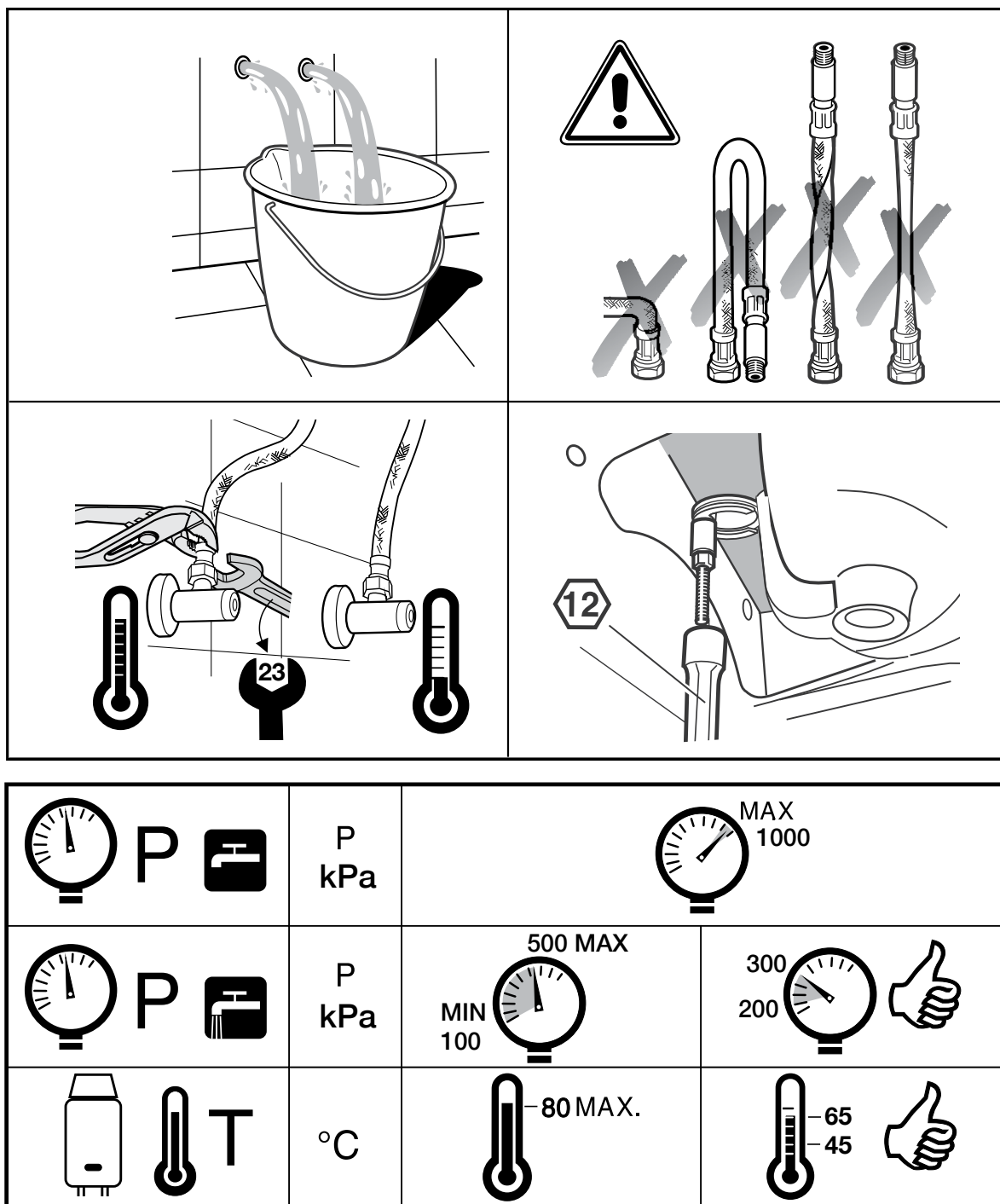


# ROCA L20 SINK MIXER

## INSTALLATION INSTRUCTIONS

### Important Note

Mixer must be installed to the requirements of AS/NZS 3500 by a qualified plumber. Your mixer comes to you already factory assembled and tested. We do not recommend the dismantling of any internal part of the mixer. The mixers are factory tested and sealed so as to give the best performance.

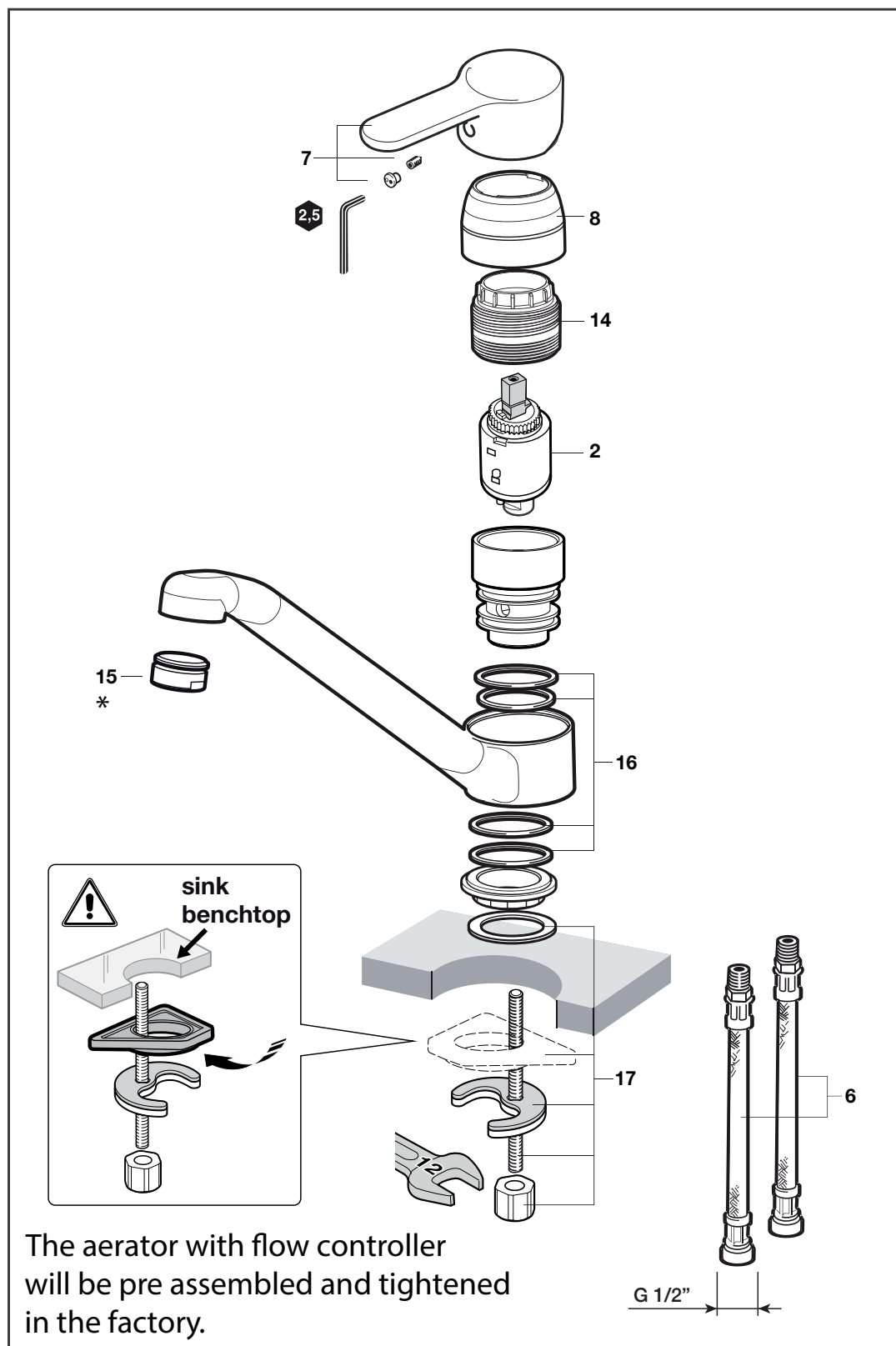


Plumbers, please ensure a copy of the installation instructions is left with the end user for future reference

# ROCA

## L20 SINK MIXER

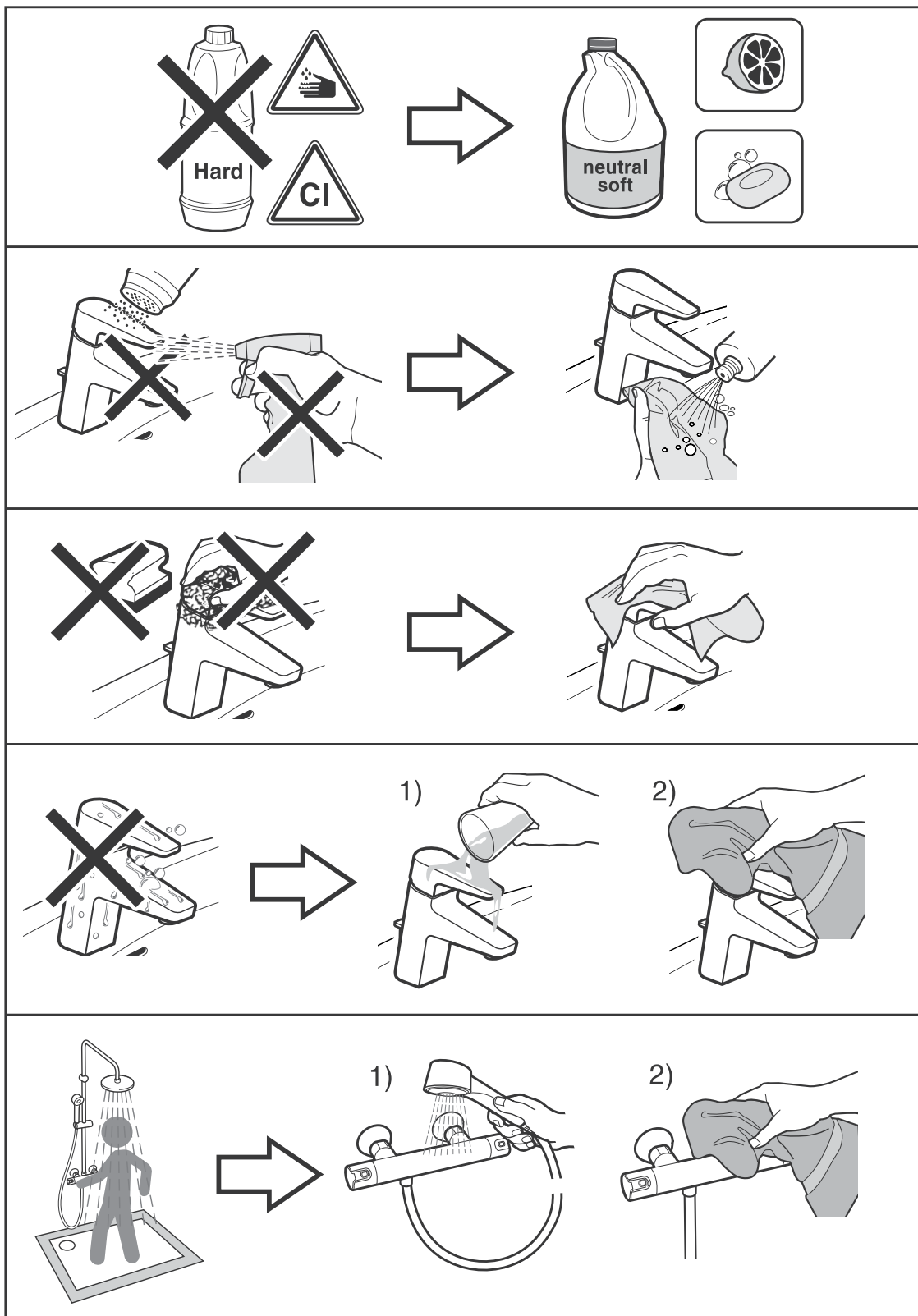
### INSTALLATION INSTRUCTIONS



Plumbers, please ensure a copy of the installation instructions is left with the end user for future reference

# ROCA L20 SINK MIXER

## CLEANING INSTRUCTIONS



Plumbers, please ensure a copy of the installation instructions is left with the end user for future reference