

## Alape Circa Freestanding Basin 400mm White (Wall Attached)

9502690

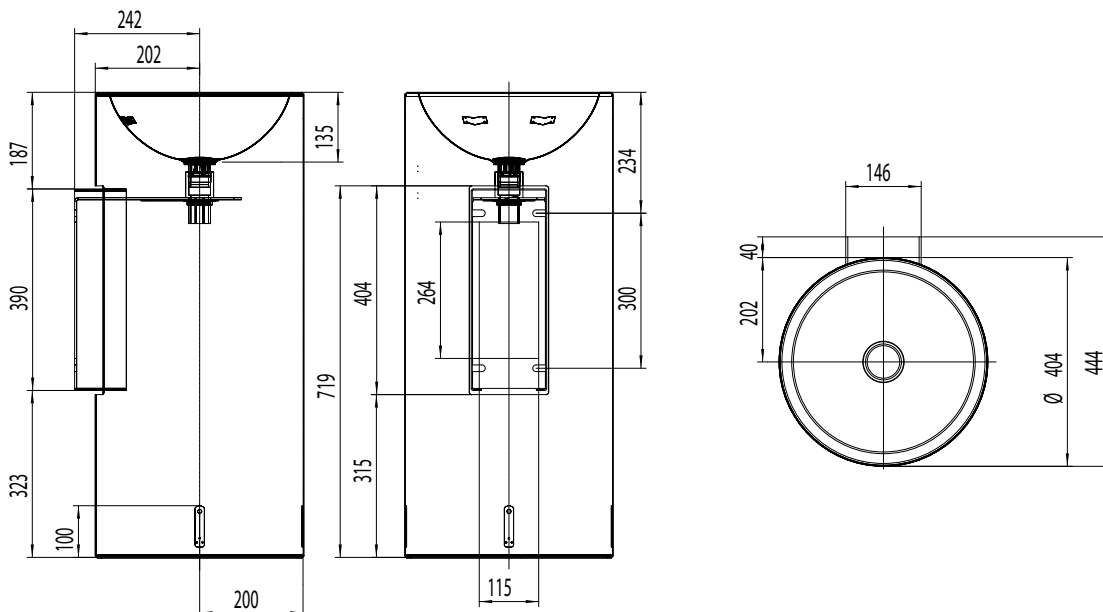
### SPECIFICATIONS

Recommended Use	Domestic, Hotel & Commercial
Material	Steel Enamelled
Colour	White
Bowl Capacity	7 Litres
Weight	16.5kgs
Fixing	Wall Mounted (bolts supplied)
Taphole Configuration	No Taphole
Overflow Configuration	No Overflow
Plug & Waste	Included
Tapware	Sold Separately

### WARRANTY

Warranty - Domestic Use	15 Years
Spare Parts & Labour	12 Months

*Please refer to Warranty Page for full Terms and Conditions*



Dimensions are nominal measurements only.

### CLEANING RECOMMENDATIONS:

We recommend the use of soapy water or approved cleaners. This product should not be cleaned with abrasive materials. Damage caused by any improper treatment is not covered by the product warranty. Refer to Warranty Conditions

Disclaimer: Products in this specification manual must by regulation be installed by licensed and registered trade people. The manufacturer/distributor reserves the right to vary specifications or delete models from their range without prior notification. Dimensions are nominal measurements only. Dimensions and set-outs listed are correct at time of publication however the manufacturer/distributor takes no responsibility for printing errors.

Published 05/05/2022

To see the complete Alape range go to  
[www.reece.com.au](http://www.reece.com.au)

