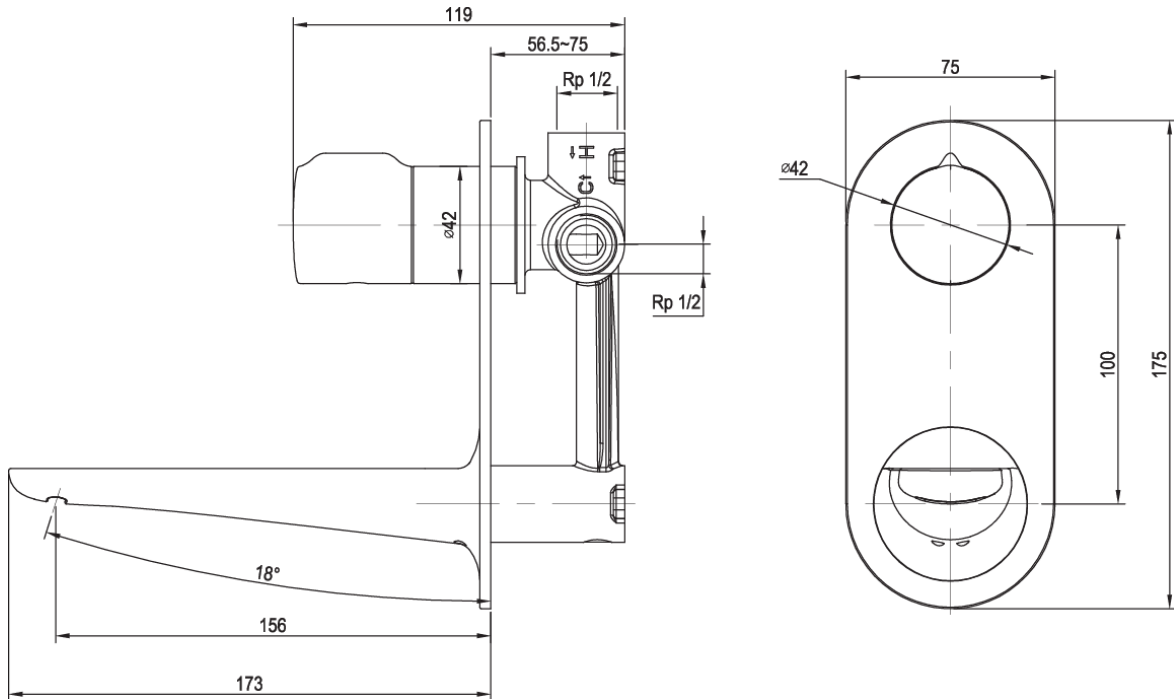


# FLOW VERTICAL WALL BATH MIXER SET



Dimensions are nominal measurements only.

## SPECIFICATIONS

<b>Recommended Use</b>	Domestic, Hotel & Commercial	
<b>Colour</b>	Chrome	
<b>Material</b>	Brass	
<b>Pressure Rating</b>	Minimum Continuous Working Pressure	150 kPa
	Maximum Continuous Working Pressure	500 kPa
<b>Temperature Rating</b>	Minimum Continuous Working Temperature	1°C
	Maximum Continuous Working Temperature	75°C
<b>Suitable Hot Water Units</b>	Storage Tank	Yes
	Continuous Flow	Yes
	Gravity Feed	No
<b>Cartridge Type</b>	Progressive	
<b>Retrofit Suitability</b>	No	



To see the complete MILLI range go to [www.reece.com.au/bathrooms](http://www.reece.com.au/bathrooms)

## CLEANING RECOMMENDATIONS

We recommend the use of soapy water or approved cleaners.

This product should not be cleaned with abrasive materials.

Damage caused by any improper treatment is not covered by the product warranty. Refer to Warranty Conditions.

# FLOW VERTICAL WALL BATH MIXER SET

## INSTALLATION INSTRUCTIONS

### Note

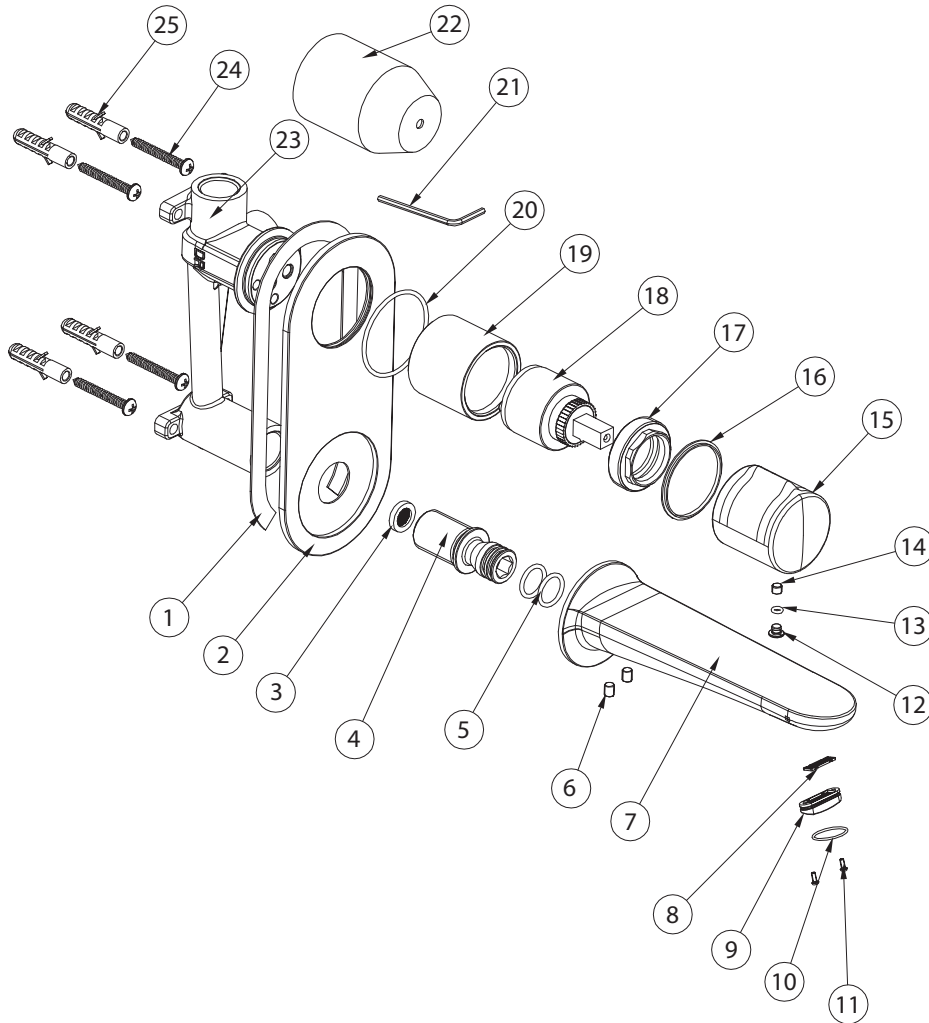
**Please consider height and position of bath before roughing in product.**

Mixer must be installed to the requirements of AS/NZS 3500 by a qualified plumber. Your mixer comes to you already factory assembled and tested. We do not recommend the dismantling of any internal part of the mixer. The mixers are factory tested and sealed so as to give the best performance.

1. Please flush out new pipe work prior to connecting the new mixer
2. This mixer is suitable for high pressure where both hot and cold water supply is at 150kPa or above
3. During installation protect the exposed finish surface by using the plastic cover provided. Please pay attention to the minimum/maximum depth. Allow for finished wall thickness
4. In a typical installation, the mixer is mounted on the timber/metal noggin and secured with screws (not provided)
5. NOTE: Ensure mixer body is level.
6. Mixer must be installed with water outlet on the left. Connect the mixer to hot and cold water supply as per markings on mixer body
7. Pressure test all connections. Leaking joints are not covered by the warranty
8. When the wall is finished, remove the plastic cover and fit dress plate, handle and outlet by securing grub screw.

# FLOW VERTICAL WALL BATH MIXER SET

## COMPONENT LISTING



No.	Description
1	Seal
2	Dress Plate
3	Filter Mesh
4	Water Outlet Connector
5	O Ring
6	Grub Screw
7	Wall Outlet
8	Aerator Complete
9	
10	
11	
12	Decorative Cover
13	Handle Cap

No.	Description
14	Grub Screw
15	Mixer Handle
16	Teflon Glide Ring
17	Cartridge Locknut
18	Cartridge
19	Cartridge Sleeve
20	Protective Cover
21	O Ring
22	Allen Key
23	Mixer Breech Assembly
24	Screw
25	Fixing Plugs