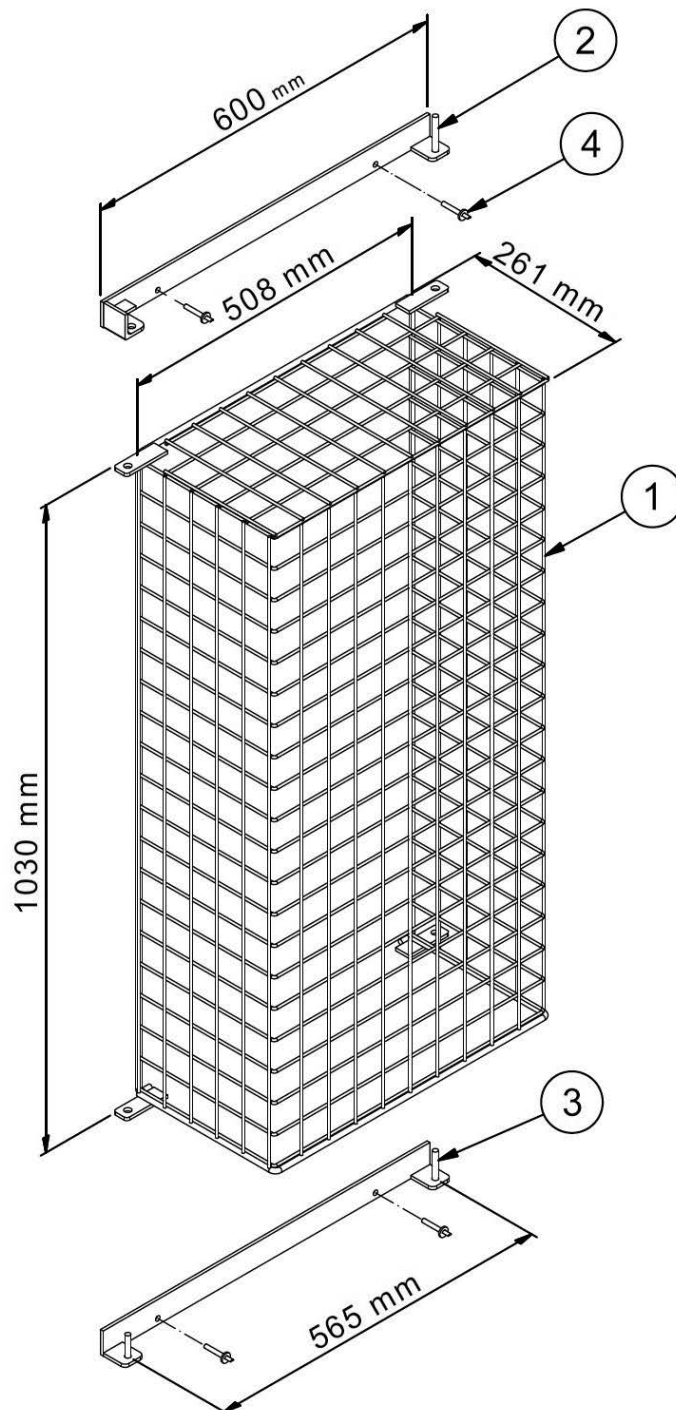

INSTALLATION INSTRUCTIONS - SECURITY CAGE (PN 299867)

This installation instruction details the installation of the Rheem® Security Cage for use with a Rheem continuous flow gas water heater.

The kit contains:

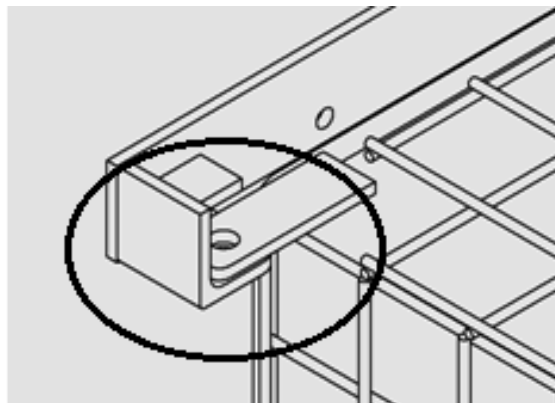
- | | | |
|----------------------------|-------|----------------|
| 1. Security cage | 1 off | (PN AQ9510501) |
| 2. Top mounting bracket | 1 off | (PN AQ9510502) |
| 3. Bottom mounting bracket | 1 off | (PN AQ9510503) |
| 4. Securing fasteners | 4 off | (PN 299866) |

Refer to the installation procedure on page 2.



To install the security cage:

1. To establish the mounted position of the Security Cage (1), place it over the water heater and against the wall. (Note: Open end of the cage is to face downward). Ensure;
 - (a) no part of the Security Cage is touching the water heater and associated piping, and
 - (b) no part of the Security Cage interferes with access to and function of the water and gas isolation valves, and the GPO (General Power Outlet).
2. When the mounting position of the Security Cage has been established, mark a line on the wall under each of the four mounting tabs on the Security Cage.
3. Establish and mark the centre line of the Security Cage on the wall.
4. Place the Bottom Mounting Bracket (3) against the wall and ensure its lower edge is in line with the lower marks made in step 2, and is centrally located with respect to the Security Cage.
 - (a) Drill two 6 mm diameter holes into the wall to a minimum depth of 42 mm, through the mounting holes on the Bottom Mounting Bracket. Remove the debris with a hand pump, compressed air, or vacuum.
 - (b) Use two Securing Fasteners (4) provided to secure the Bottom Mounting Bracket to the wall. Insert the fastener through the bracket until the flange contacts the plate, then hammer the expansion nail until it is flush with the flange.
5. Place the top mounting bracket (2) against the wall and ensure that its lower edge is in line with the upper marks made in step 2, and is centrally located with respect to the Security Cage.
 - (a) Drill two 6 mm diameter holes into the wall to a minimum depth of 42 mm, through the mounting holes on the Top Mounting Bracket. Remove the debris with a hand pump, compressed air, or vacuum.
 - (b) Use two Securing Fasteners provided to secure the Top Mounting Bracket to the wall. Insert the fastener through the bracket until the flange contacts the plate, then hammer the expansion nail until it is flush with the flange.
6. Lower the Security Cage, aligning the holes in each tab with the corresponding pins of each Mounting bracket.
7. The Security Cage is to be locked in place with a padlock, using the 11 mm diameter holes in upper left side of the cage.



Padlock Position

TRADEMARKS

® Registered trademark of Rheem Australia Pty Ltd.

Note: Every care has been taken to ensure the accuracy in preparation of this publication. No liability can be accepted for any consequences, which may arise as a result of its application.