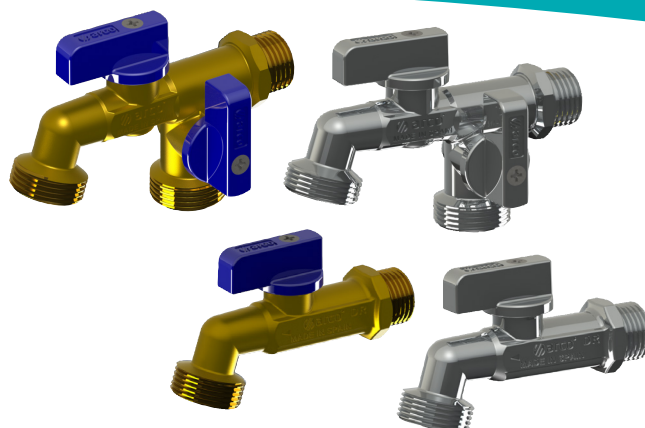




ARCO grifo vitaq



TECHNICAL SHEET 01/2017 | IPO4050

SCOPE

ARCO GRIFO'S INNOVATIVE TAP RANGE DELIVERS FULL WATER FLOW IN JUST A QUARTER TURN.

- European manufactured quality
- One-piece body means no leaks
- Vitaq system anti-lime ball valve for long life
- Flexibility with double design for independent isolation of each outlet
- Non return valve ensures no backflow
- Quarter turn movement allows greater accessibility in small spaces
- Chrome plated models available

MAIN CONSTRUCTIVE FEATURES

BODY: MANUFACTURED IN ONE WHOLE PIECE

GRIFO taps are manufactured with an innovative one piece brass design*, which eliminates the possibility of leaks through the main body. The one whole piece construction provides greater strength and security against high pressure applications. The hot stamping process also ensures a smoother finished tap.

*Excludes 20mm Double Grifo models

VITAQ SYSTEM: ANTI-LIME SYSTEM FOR LONG LIFE

This smart design reduces loss of pressure, keeping a constant flow rate and avoids any noise. The VITAQ SYSTEM eliminates the lime problems associated with traditional valve designs, providing a longer life for the tap.

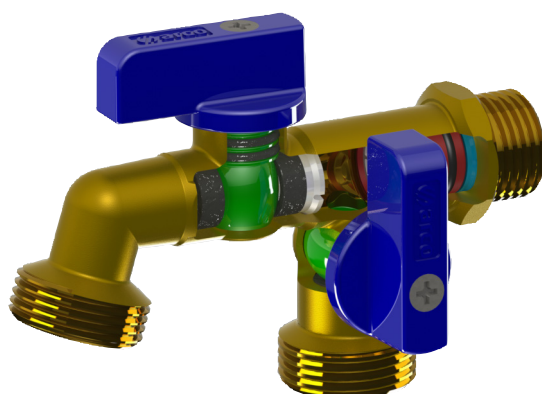
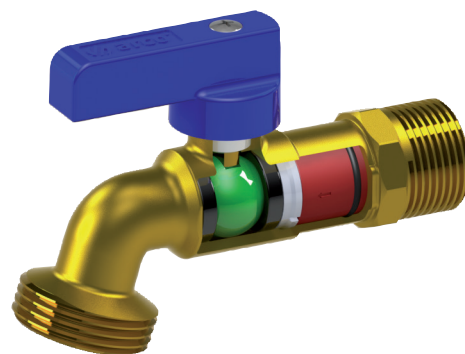
In 15mm models, Stem and Ball are manufactured from anti-lime polymer, which increases its resistance and performance, avoiding lime effects.

In 20mm models, the brass ball is covered by anti-lime polymer.

SERVICE CONDITIONS

Nominal pressure :	1600 KPa
Maximum pressure:	2000 KPa
Maximum Temperature:	80°C

made in
spain
original





MAIN CONSTRUCTIVE FEATURES

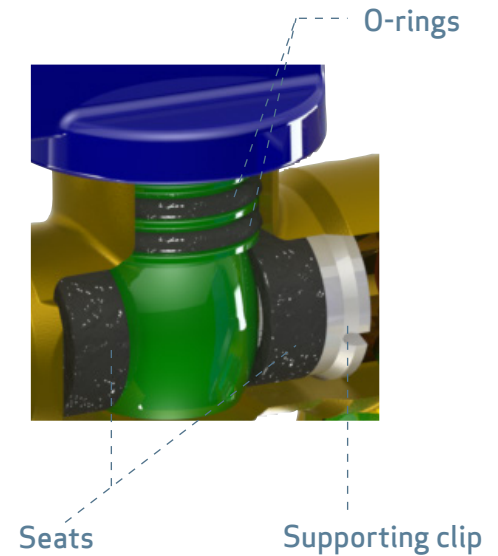
FOR 15MM MODELS

Internal Leak Tightness

The supporting clip is placed in the valve to push the seat against the stem-ball. This system cannot be dismantled, avoiding improper manipulations.

External Leak Tightness

A double seal placed on the stem ensures external leak tightness. This double joint system guarantees safety against external leakage over time and during long term use.



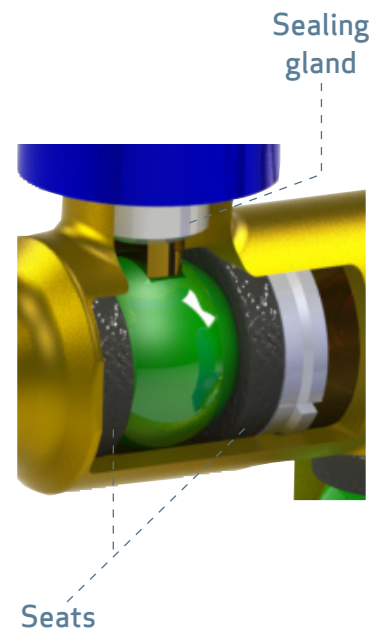
FOR 20MM MODELS

Internal Leak Tightness

The supporting clip is placed in the valve to push the seat against the stem-ball. This system cannot be dismantled, avoiding improper manipulations.

External Leak Tightness

External leak tightness through the stem is ensured by a PTFE sealing gland allowing its retightening if necessary.



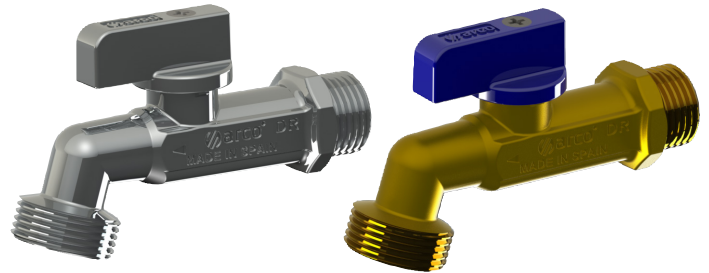


ARCO 15 MM SINGLE GRIFO VITAQ

SCOPE

This tap is ideal for:

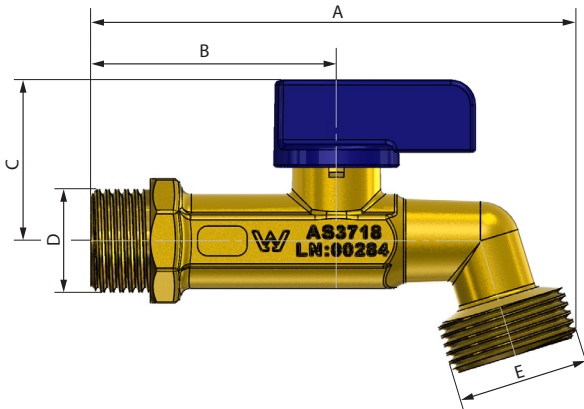
- Indoor use: The compact design makes it suitable for use inside homes, balconies and garages.
- Outdoor use: Yards, gardens, terraces, etc.



SINGLE GRIFO 15 MM MALE

A	B	C	D	E
98mm	50mm	32mm	1/2" M	3/4" M

G Thread ISO 228



Product Code	Inlet	Outlet	Finish
2131528	15mm Male	20mm Male	Brass
2131534	15mm Male	20mm Male	Chrome
2131529	15mm Female	20mm Male	Brass
2131535	15mm Female	20mm Male	Chrome

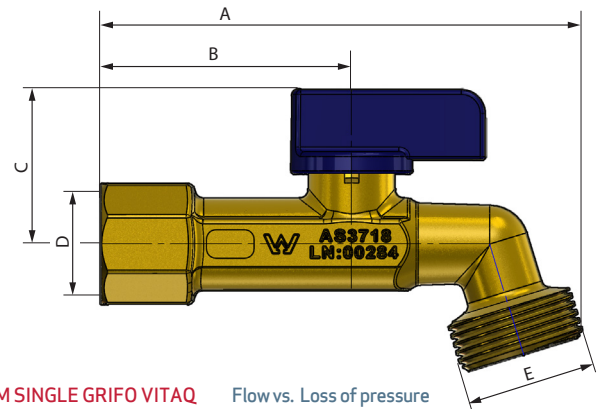
COMPONENTS

Item	Component	Material
1	Body	DR Brass
2	Non return valve	Stainless steel & Plastic
3	VITAQ Stem	Anti-lime Polymer
4	Handle	Zamak
5	Screw	Stainless Steel
6	Supporting Clip	POM
7	O-rings	EPDM
8	Aerator	ABS
9	Seats	NBR
10	Supporting Clip	POM
11	Supporting Clip	POM

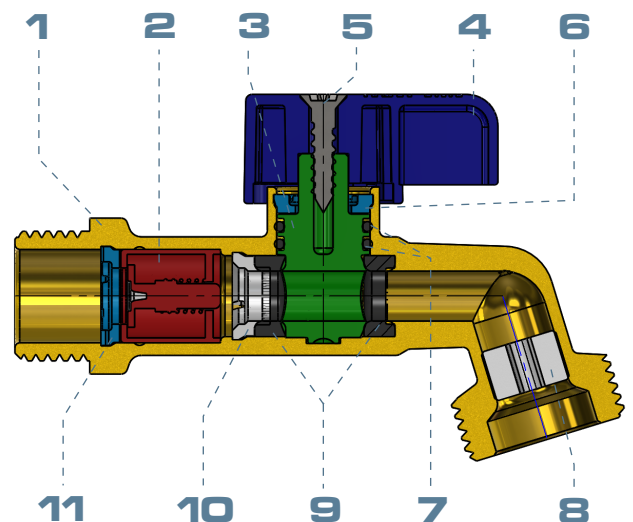
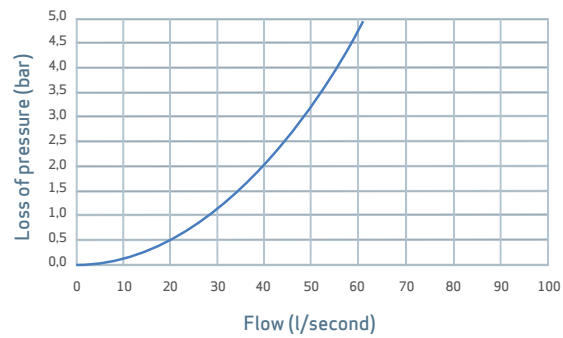
SINGLE GRIFO 15 MM FEMALE

A	B	C	D	E
101mm	53mm	32mm	1/2" F	3/4" M

G Thread ISO 228



15MM SINGLE GRIFO VITAQ Flow vs. Loss of pressure





ARCO 20 MM SINGLE GRIFO VITAQ

SCOPE

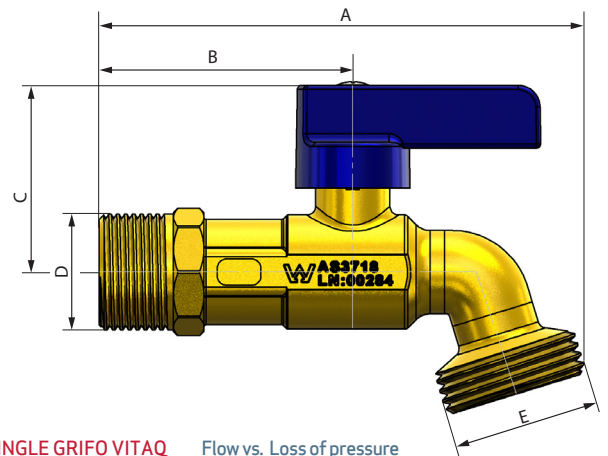
This tap is ideal for:

- Indoor use: The compact design makes it suitable for use inside homes, balconies and garages.
- Outdoor use: Yards, gardens, terraces, etc.



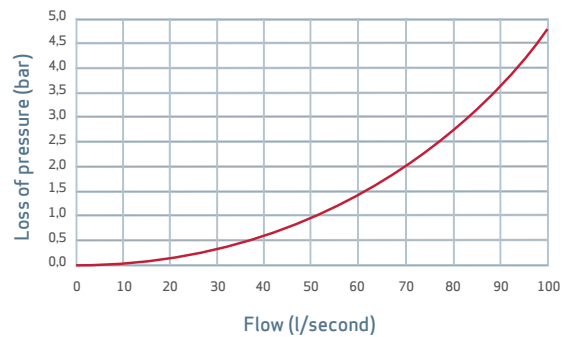
SINGLE GRIFO 20 MM MALE

A	B	C	D	E
111 mm	58 mm	43 mm	3/4" M	1" M



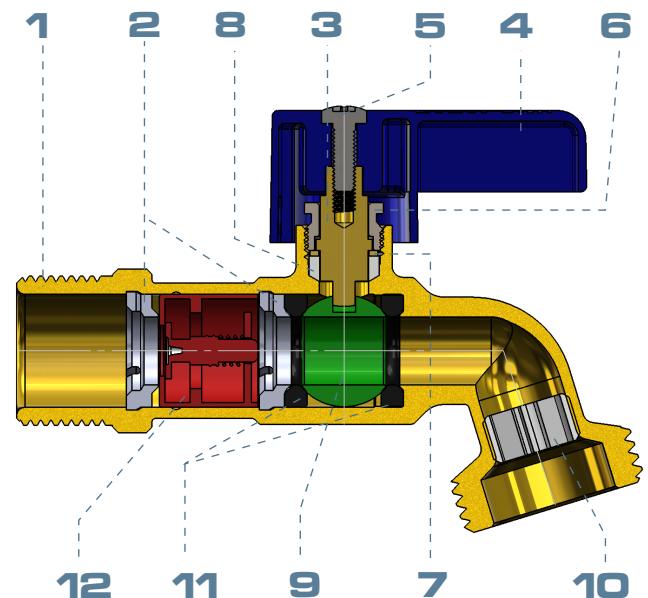
Product Code	Inlet	Outlet	Finish
2131530	20mm Male	25mm Male	Brass
2131536	20mm Male	25mm Male	Chrome

20MM SINGLE GRIFO VITAQ Flow vs. Loss of pressure



COMPONENTS

Item	Component	Material
1	Body	DR Brass
2	Supporting Clip	POM
3	Stem	DR Brass
4	Handle	Zamak
5	Screw	Stainless Steel
6	Nut Gland	DR Brass
7	Washer	Brass
8	Gland	PTFE
9	Ball	DR Brass
10	Aerator	ABS
11	Seats	NBR
12	Non return valve	Stainless steel & Plastic



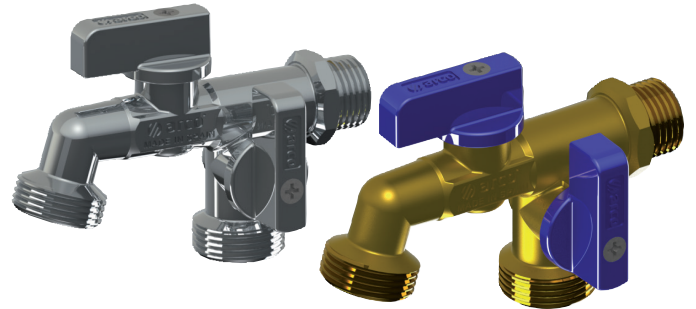


ARCO 15 MM DOUBLE GRIFO VITAQ

SCOPE

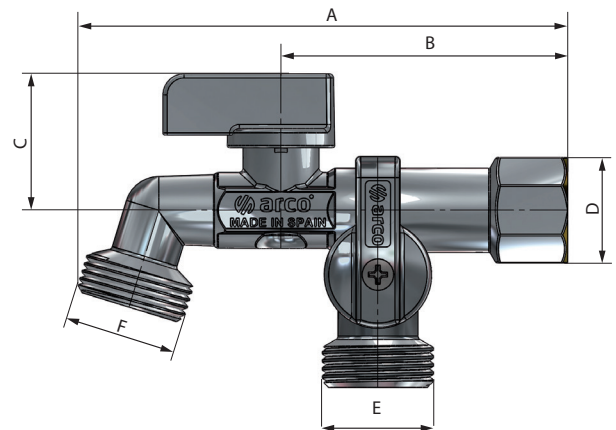
This tap is ideal for:

- Installations which require 2 independent outlets from a single connection.
- Indoor use: The compact design makes it suitable for use inside homes and also, balconies and garages.
- Outdoor use: Yards, gardens, terraces, etc. Ability to connect hose and sprinkler system together.



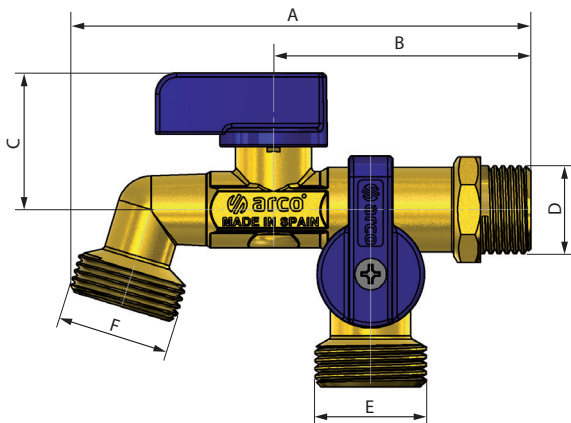
DOUBLE GRIFO 15 MM FEMALE

A	B	C	D	E	F
116 mm	68 mm	33 mm	1/2" M	3/4" M	3/4" M



DOUBLE GRIFO 15 MM MALE

A	B	C	D	E	F
116 mm	68 mm	33 mm	1/2" M	3/4" M	3/4" M

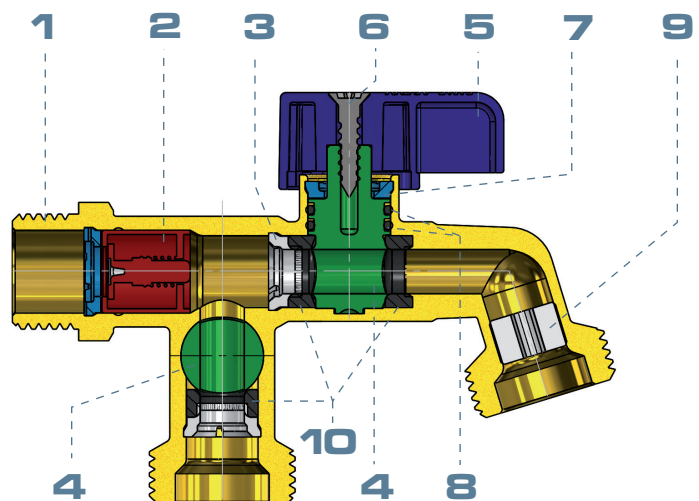
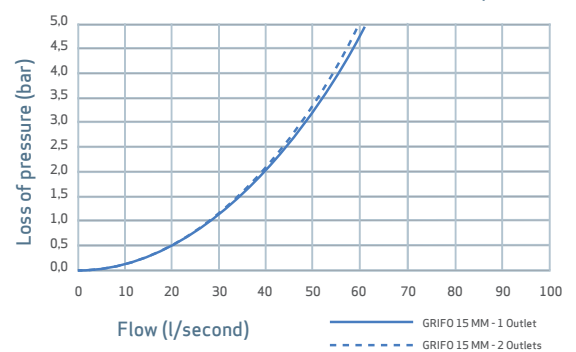


Product Code	Inlet	Outlet	Finish
2131531	15mm Male	20mm Male	Brass
2131537	15mm Male	20mm Male	Chrome
2131532	15mm Female	20mm Male	Brass
2131538	15mm Female	20mm Male	Chrome

COMPONENTS

Item	Component	Material
1	Body	DR Brass
2	Non return valve	Stainless steel & Plastic
3	Supporting Clip	POM
4	VITAQ Stem	Anti-lime Polymer
5	Handle	Zamak
6	Screw	Stainless Steel
7	Supporting clip	POM
8	O-rings	EPDM
9	Aerator	ABS
10	Seats	NBR

15MM DOUBLE GRIFO VITAQ Flow vs. Loss of pressure



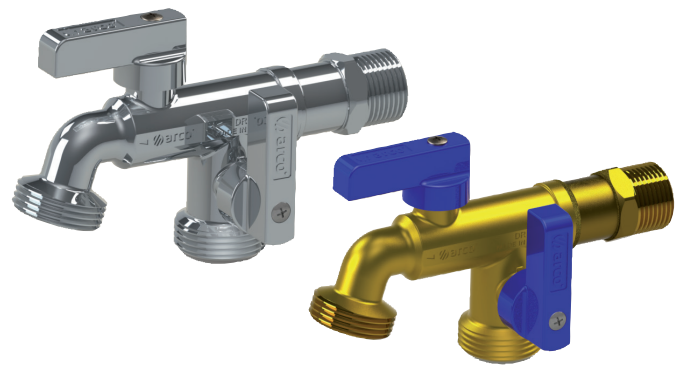


ARCO 20 MM DOUBLE GRIFO VITAQ

SCOPE

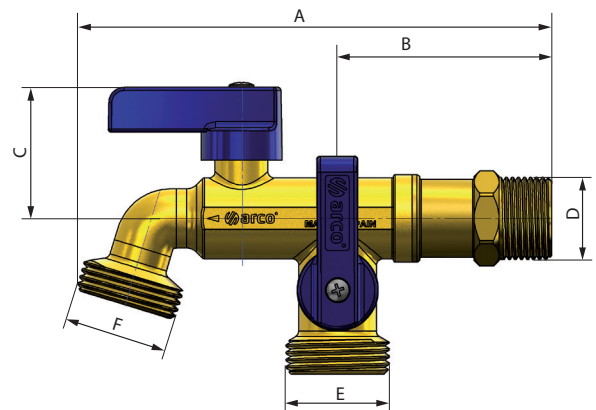
This tap is ideal for:

- Installations which require 2 independent outlets from a single connection.
- Indoor use: The compact design makes it suitable for use inside homes and also, balconies and garages.
- Outdoor use: Yards, gardens, terraces, etc. Ability to connect hose and sprinkler system together.



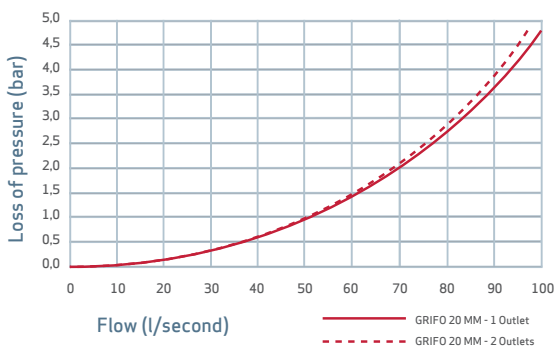
DOUBLE GRIFO 20 MM MALE

A	B	C	D	E	F
153 mm	68 mm	42 mm	3/4" M	1" M	1" M



Product Code	Inlet	Outlet	Finish
2131533	20mm Male	25mm Male	Brass
2131539	20mm Male	25mm Male	Chrome

20MM DOUBLE GRIFO VITAQ Flow vs. Loss of pressure



COMPONENTS

Item	Component	Material
1	Body	DR Brass
2	Supporting Clip	POM
3	Ball	DR Brass
4	Stem	DR Brass
5	Handle	Zamak
6	Screw	Stainless Steel
7	Nut Gland	DR Brass
8	Washer	Brass
9	Gland	PTFE
10	Aerator	ABS
11	Seats	NBR
12	Lateral	DR Brass
13	Non return valve	Stainless steel & Plastic

