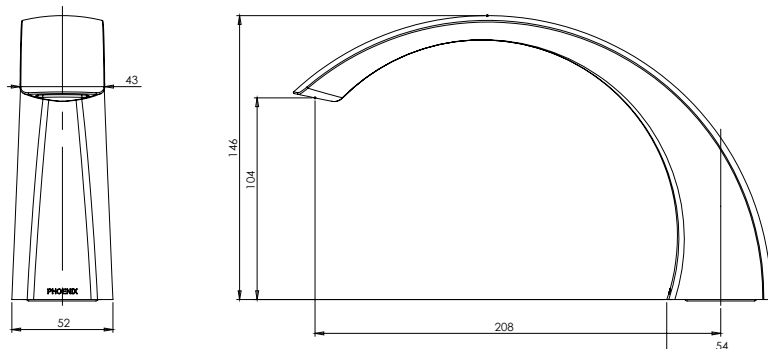


# PHOENIX

## FLOW SKEEK HOB BATH OUTLET 200MM



### SPECIFICATIONS

<b>Recommended Use</b>	Domestic, Commercial and Hotel
<b>Finish Available</b>	Chrome
<b>Suitable Hot Water</b>	Storage Tank: Yes Continuous Flow: Yes Gravity Feed: Yes
<b>Standards</b>	AS/NZS 3718



### CLEANING RECOMMENDATIONS

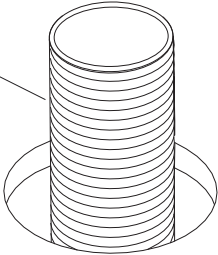
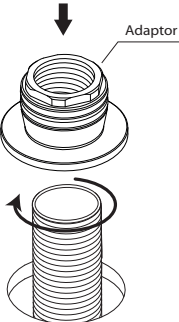
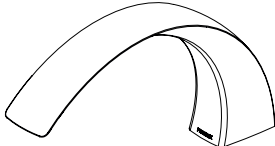
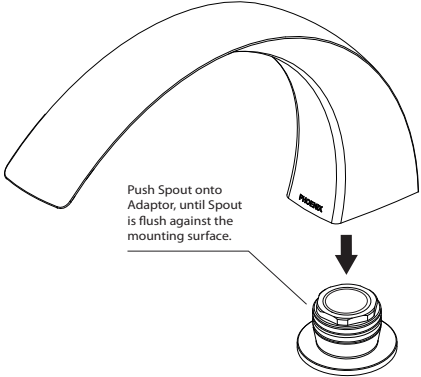
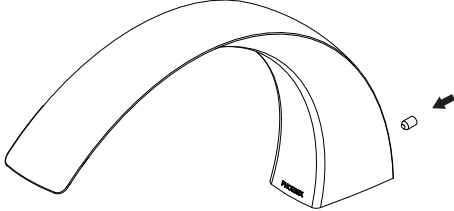
This bathroom product should not be cleaned with abrasive materials eg. steel wool/scourers. Do not use any corrosive or abrasive cleaning agents containing acids or scouring agents. Bleaches can also discolour products and therefore should not be used. Damage caused by any improper treatment is not covered by the product warranty- refer to Warranty Conditions on the last page.

To see the complete Phoenix range go to [www.reece.com.au/bathrooms](http://www.reece.com.au/bathrooms)

# PHOENIX

## FLOW SLEEK HOB BATH OUTLET 200MM

### INSTALLATION INSTRUCTIONS

Phoenix Flow Sleek Hob Bath Outlet 200mm INSTALLATION INSTRUCTION		
<p>1</p> <p>Apply teflon tape to Elbow</p> 	<p>2</p> <p>a) Remove Grub Screw from Spout Assembly to release Adaptor.</p> <p>b) Screw Adaptor to Elbow Thread with a hexagon key and ensure bottom of Adaptor sits flat on mounting surface.</p> <p>Adaptor</p> 	 <p><b>WATER SUPPLY REQUIREMENTS</b></p> <p><b>Note:</b></p> <ul style="list-style-type: none"> <li>-If the pressure exceeds or is likely to exceed 550kpa, an approved pressure limiting device must be installed.</li> <li>- Flush out all pipe work prior to installation.</li> <li>- If the water temperature exceeds 75°C, an approved tempering valve must be fitted.</li> <li>- Installation should comply with Australian standard AS3500.1 or relevant local authority requirements.</li> </ul> <p>Failure to comply with the above may void all warranties.</p> <p><b>Maintenance and Care</b></p> <ul style="list-style-type: none"> <li>-Chrome plated surfaces should be cleaned with mild liquid detergent or soap and water.</li> <li>-<b>Do not</b> use cream cleaners or citrus based cleaning products, as they are abrasive.</li> <li>-Use of unsuitable cleaning agents may damage the surface. Any damage caused in this way will not be covered by warranty.</li> </ul>
<p>3</p> <p>Push Spout onto Adaptor, until Spout is flush against the mounting surface.</p> 	<p>4</p> <p>Fasten Grub Screw to secure Outlet.</p> <p>TEST &amp; CHECK FOR LEAKS</p> 	

# PHOENIX

## FLOW SLEEK HOB BATH OUTLET 200MM



### REECE PRODUCT QUALITY GUARANTEE

You have purchased a quality product from Reece Pty Ltd ABN 84 004 097 090 ("Reece"). This product is covered by a 7 year replacement product warranty and a 12 month warranty over spare parts and labour.

#### 7 YEAR WARRANTY – DOMESTIC USE

This warranty covers faults in the product construction, material and assembly. Products which are within 7 years from the date of purchase, found upon inspection by an authorised Reece representative, to be defective in construction, material or assembly, will be repaired or exchanged with an equivalent product free of charge. Replaced items become Reece's property. This warranty also covers any spare parts included under "Manufacturer's Provisions" below.

All replacement products will be available for collection without charge to the customer at the nearest Reece branch to the customer's location, or elsewhere as agreed between the customer and Reece.

#### Labour and Spare Parts

The labour for the replacement of products and spare parts to which this warranty applies will be supplied by Reece or relevant supplier using licensed plumbers engaged by Reece or relevant supplier within 1 year from the date of purchase.

Spare parts other than those listed in the Manufacturer's Provisions above, which are within 1 year from the date of purchase found upon inspection by an authorised Reece representative to be defective in construction, material or assembly, will be replaced free of charge.

#### Warranty Conditions

This warranty will apply only under all of the following conditions:

- The item has been installed by a licensed plumber
- The item has been installed for and subjected to domestic residential use only
- Failure is due to a fault in the manufacture of the product
- Proof of purchase (including the date of purchase) is provided
- The installation of the product is in accordance with the instructions provided

This warranty does not cover products purchased as an ex-display without being fully checked and tested for sale by the manufacturer.

This warranty does not include faults caused by:

- Unsuitable or improper use
- Incorrect installation or installation not in accordance with the instructions provided
- Installation or part installation by the purchaser or any person other than a LICENSED PLUMBER
- Normal wear and tear
- Inadequate or complete lack of maintenance
- Chemical, electrochemical or electrical influences
- Harsh detergents or abrasive cleaners used on product finishes

#### 1 YEAR WARRANTY – COMMERCIAL USE

'Commercial' use is all use other than for normal domestic residential purposes, including use in non-business places as in public buildings, schools, sports centres and in establishments that contain private bathrooms with high frequency of use by many individuals, such as hotels, motels, retirement villages and hospitals.

The Commercial warranty covers this product against manufacturing faults in the construction, material and assembly of both the finished products and any spare parts for a period of 1 year from the date of purchase. Products and spare parts which are found upon inspection by an authorised Reece representative to be defective in construction, material or assembly will be repaired or exchanged free of charge. Replaced items become Reece's property. The labour for the replacement of products and spare parts to which this warranty applies will be supplied by Reece or relevant supplier using licensed plumbers engaged by Reece or relevant supplier. The Warranty Conditions and exclusions which apply to the domestic use warranty also apply to this commercial warranty.

#### EXCLUSIONS

To the fullest extent permitted by law, Reece excludes all liability for damage or injury to any person, damage to any property, and any indirect consequential or other loss or damage.

#### CLAIM PROCEDURE

For all warranty queries customers are to contact the branch where the product was purchased. These details can be found on your purchase invoice.

Our goods come with guarantees that cannot be excluded under the Australian Consumer Law. You are entitled to a replacement or refund for a major failure and for compensation for any other reasonably foreseeable loss or damage. You are also entitled to have the goods repaired or replaced if the goods fail to be of acceptable quality and the failure does not amount to a major failure.

