



Base MK2 Single Reversible Bowl Sink 820mm No Taphole Stainless Steel

2000158

SPECIFICATIONS

Recommended Use	Domestic, Hotel & Commercial
Material	Stainless Steel (304 Grade)
Gauge	0.7mm
Sink Colour	Stainless Steel
Bowl Type	Single Bowl
Bowl Configuration	Single Bowl with Reversible Drainer
Mounting	Inset
Plug & Waste	Included
Plug & Waste Size	90mm Basket Waste
Overflow Configuration	No Overflow
Taphole Configuration	No Taphole

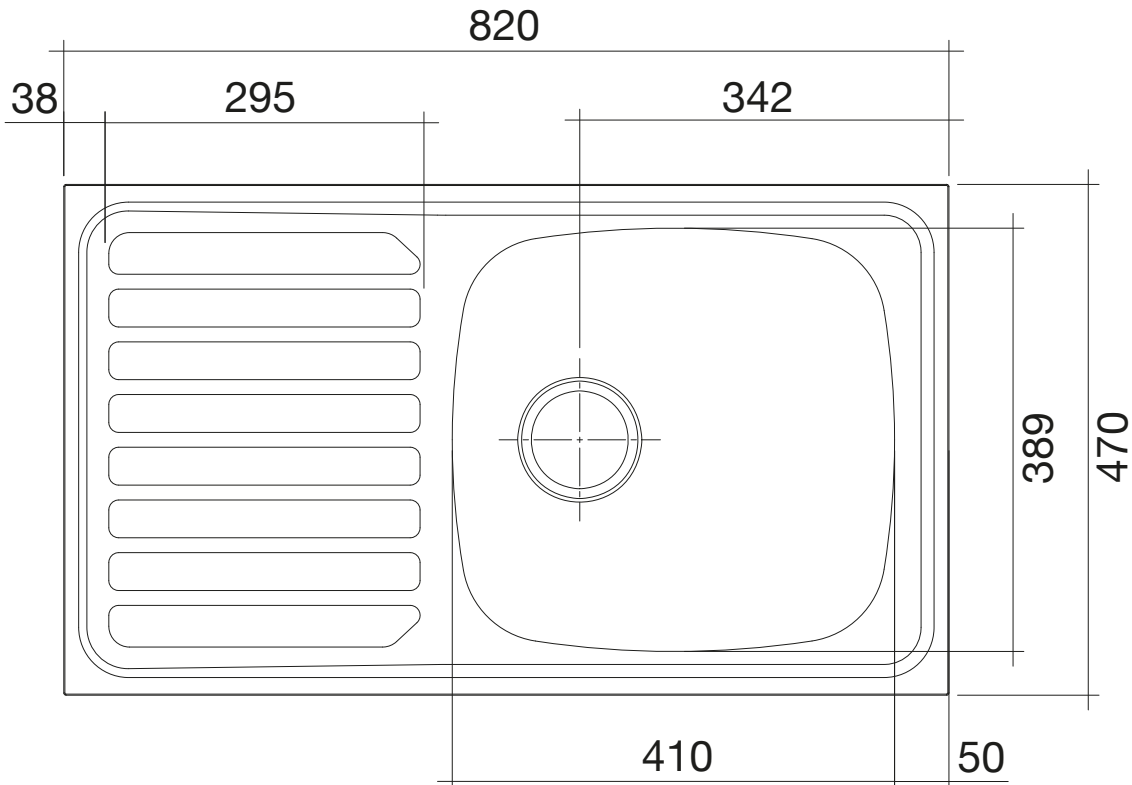
WARRANTY

Warranty - Domestic Use	12 Months
Spare Parts & Labour	12 Months

Please refer to Warranty Page for full Terms and Conditions



Sinks must be installed using a cutout template. No responsibility will be taken for damage that occurs where a template has not been used.



Dimensions are nominal measurements only.

CLEANING RECOMMENDATIONS:

We recommend the use of soapy water or approved cleaners. This product should not be cleaned with abrasive materials. Damage caused by any improper treatment is not covered by the product warranty. Refer to Warranty Conditions

Disclaimer: Products in this specification manual must by regulation be installed by licensed and registered trade people. The manufacturer/distributor reserves the right to vary specifications or delete models from their range without prior notification. Dimensions are nominal measurements only. Dimensions and set-outs listed are correct at time of publication however the manufacturer/distributor takes no responsibility for printing errors.

Published 13/04/2021

To see the complete Base range go to www.reece.com.au

