



Milli Zato Bath Wall Mixer Set Brushed Nickel

2269843

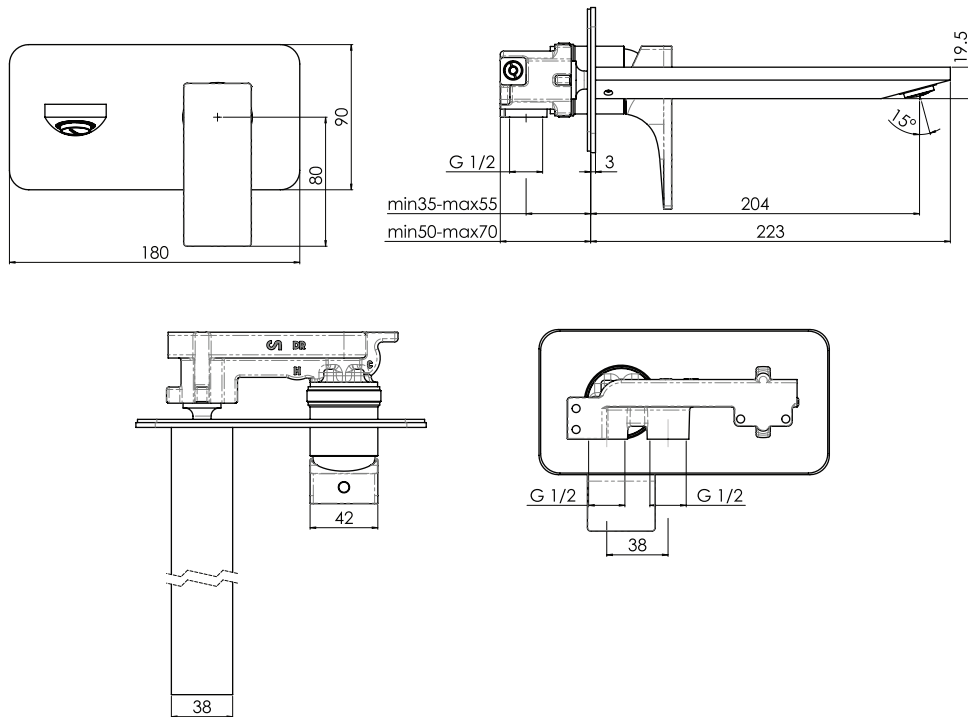
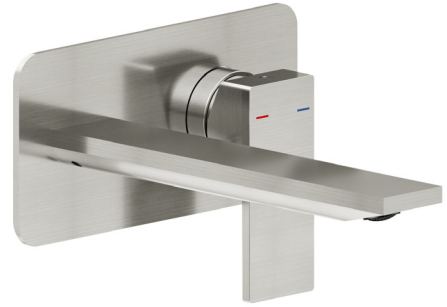
SPECIFICATIONS

Recommended Use	Domestic, Hotel & Commercial
Colour	Nickel
Finish	Brushed
Material	DR Brass
Recommended Pressure Range	150-500kPa
Maximum Continuous Working Pressure	1000kPa
Maximum Continuous Working Temperature	65 deg C

WARRANTY

Warranty - Domestic Use	15 Years
Spare Parts & Labour	12 Months

Please refer to Warranty Page for full Terms and Conditions



Dimensions are nominal measurements only.

CLEANING RECOMMENDATIONS:

We recommend the use of soapy water or approved cleaners. This product should not be cleaned with abrasive materials. Damage caused by any improper treatment is not covered by the product warranty. Refer to Warranty Conditions

Disclaimer: Products in this specification manual must by regulation be installed by licensed and registered trade people. The manufacturer/distributor reserves the right to vary specifications or delete models from their range without prior notification. Dimensions are nominal measurements only. Dimensions and set-outs listed are correct at time of publication however the manufacturer/distributor takes no responsibility for printing errors.

Published 18/06/2021

To see the complete Milli range go to www.reece.com.au

