

Alape[™]

Alape Unisono Counter Basin 325mm Bi-Colour

1806077

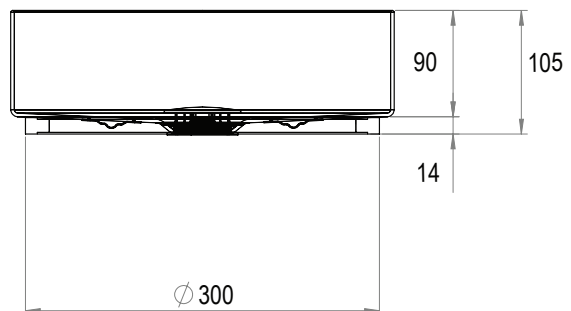
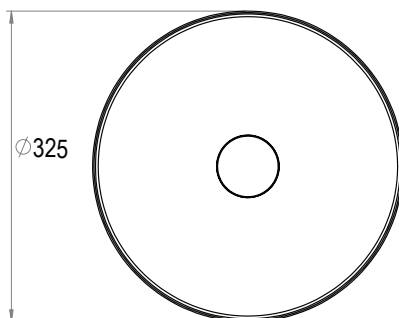
SPECIFICATIONS

| | |
|------------------------|--|
| Recommended Use | Domestic, Hotel & Commercial |
| Material | Enamelled Glazed Steel |
| Colour | Bi-Colour |
| Bowl Capacity | 7 Litres |
| Weight | 4kgs |
| Fixing | Bench Mounted (silicone seal) |
| Taphole Configuration | No Taphole |
| Overflow Configuration | No Overflow |
| Plug & Waste | Suits 32 x 40mm Plug and Waste. (Not Supplied) (NOTE: European waste is supplied with the product. Not suitable for Australian application.) |
| Tapware | Sold Separately |

WARRANTY

| | |
|-------------------------|-----------|
| Warranty - Domestic Use | 15 Years |
| Spare Parts & Labour | 12 Months |

Please refer to Warranty Page for full Terms and Conditions



Dimensions are nominal measurements only.

CLEANING RECOMMENDATIONS:

We recommend the use of soapy water or approved cleaners. This product should not be cleaned with abrasive materials. Damage caused by any improper treatment is not covered by the product warranty. Refer to Warranty Conditions

Disclaimer: Products in this specification manual must by regulation be installed by licensed and registered trade people. The manufacturer/distributor reserves the right to vary specifications or delete models from their range without prior notification. Dimensions are nominal measurements only. Dimensions and set-outs listed are correct at time of publication however the manufacturer/distributor takes no responsibility for printing errors.

Published 01/07/2021

To see the complete Alape range go to
www.reece.com.au

