

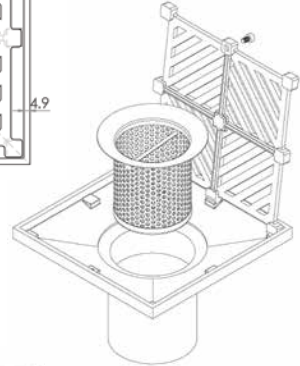
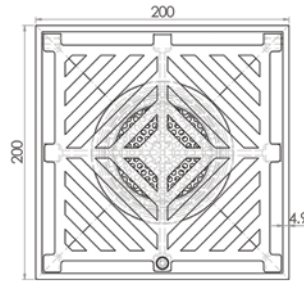
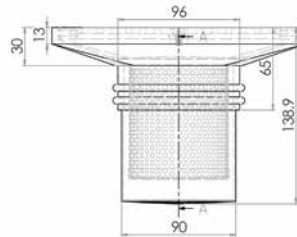
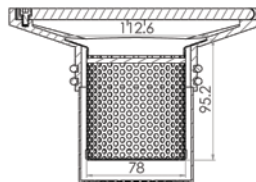
**PRODUCT CODE:****FW-200BS-304****FW-200BS-316****FW-200S-BASKET-304** (basket only)**FW-200S-BASKET-316** (basket only)

This modern lineal design floor waste is available in 304 grade or 316 grade stainless steel. It suits 100mm DWV or HDPE and has a 200mm square grate. Fixed secondary strainer and removable basket.

FEATURES & BENEFITS:

- Hinged grate
- Suits 100mm DWV, HDPE pipe
- Fixed secondary strainer
- Removable strainer basket

In stock and available for immediate delivery

**Top****Side****Cross Section**

Details accurate at time of print. Whilst all care has been taken in compiling this information, designs & dimensions shown are indicative only and should not be relied upon without prior approval.

3monkeeZ[®]
STAINLESS STEEL EVOLUTIONS
Innovate · Create · Deliver