

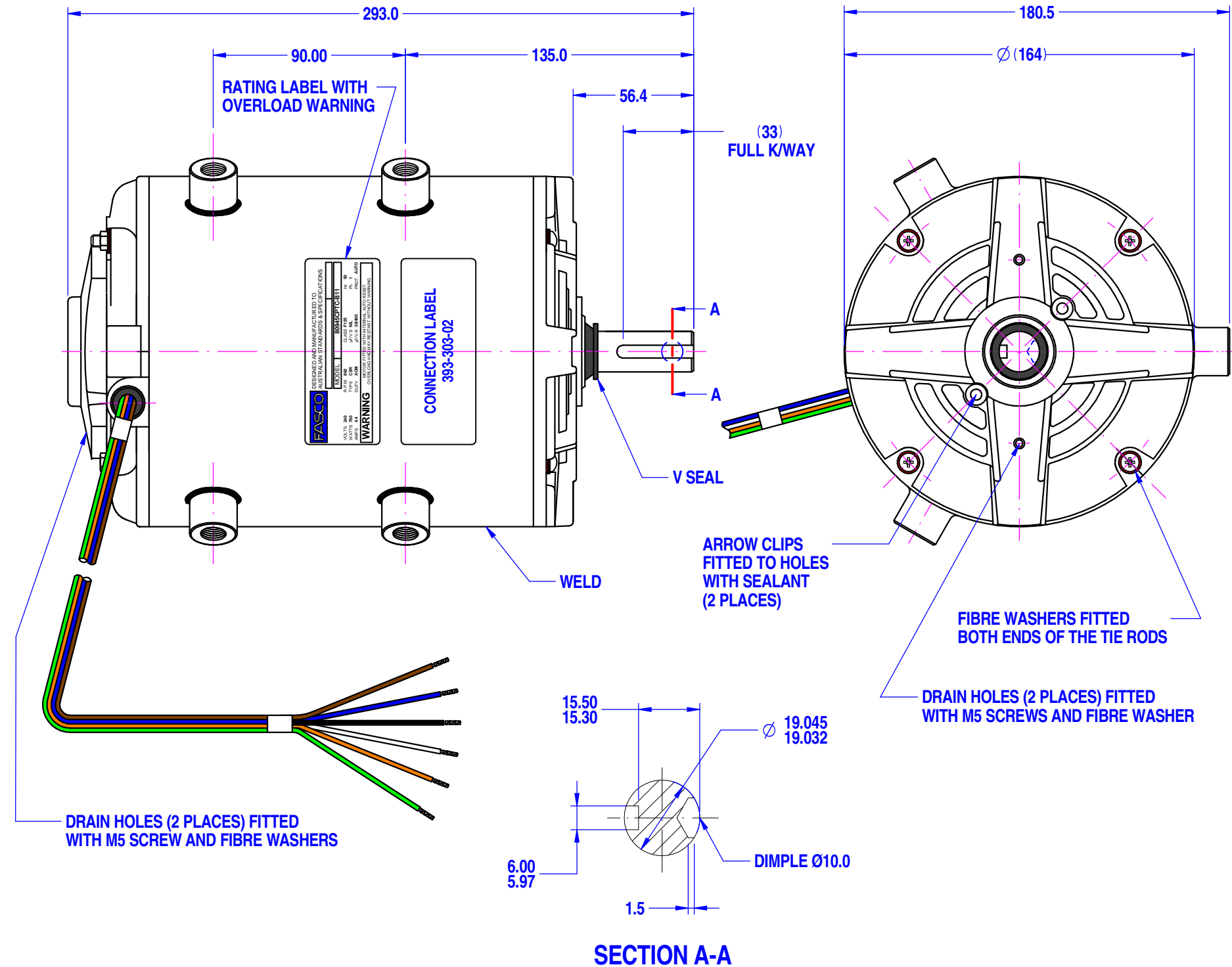
MOTOR SPECIFICATION

80945CPTC-B11

Q.R. No.	S000892	CUSTOMER NO.	-
CUSTOMER	CARRIER APAC		
MOTOR RATING	VOLTS	240	Hz 50 Ph 1 Duty A.O.M.
	RPM.	860	4.4 AMPS
	NOM. OUTPUT	780 WATTS	
ROTATION	CLOCK WISE AT SHAFT END		
CAPACITOR	START	-----	μF/V RUN 30/400 μF/V
ENCLOSURE	TOTALLY ENCLOSED (IP50)		
MOTOR TYPE	CSR	INSULATION CLASS	F155
THERMAL PROTECTION	AUTO RESET OVERLOAD		
APPLICATION	CONDENSER FAN		
BEARING D.E.	6204 DDU	LUBRICATION	LONG LIFE, WIDE RANGE
BEARING N.D.E.	6203 DDU		
SUPPLY LEAD	SINGLE CORE 1500 ±30 FROM EXIT		
EARTH PROVISION	VIA SUPPLY LEAD		
BASIC BUILD SPECIFICATION	470-042-02	PAINT/ COLOUR	BLACK RAL - 9005
PERFORMANCE SPECIFICATION	SP94134-02		
CONNECTION DIAGRAM	393-303-02	RATING LABEL	SSTDAUTO.FMT

FINAL INSPECTED MOTORS MUST COMPLY WITH ELECTRIC MOTOR VIBRATION SPECIFICATION (ES049)

THIRD ANGLE PROJECTION.



REFER SPECIAL REQUIREMENTS



DESIGNED AND MANUFACTURED TO AUSTRALIAN STANDARDS & SPECIFICATIONS

MODEL	80945CPTC-B11
-------	---------------

VOLTS 240	R.P.M. 860	CLASS F155	Hz 50
WATTS 780	TYPE CSR	μF/V S NIL	Ph 1
AMPS 4.4	DUTY AOM	μF/V R 30/400	PROT. AUTO

WARNING

MOTOR FITTED WITH INTERNAL AUTO RESET OVERLOAD AND MAY RESTART WITHOUT WARNING

SPECIAL REQUIREMENTS:

- MOTOR TO BE WEATHERPROOFED TO SPEC. ES050
- CAPACITOR SUPPLIED BY CUSTOMER.
- NAME PLATE DATA SUPPLIED BY CUSTOMER.
- MOTOR TO BE PACKED IN PLASTIC BAG.

UNLESS OTHERWISE SPECIFIED : DIMENSIONS ARE IN MM. TOLERANCES

DECIMALS	ANGULAR
.X ± 1.0	± 30'
.XX ± 0.1	

THIS DRAWING REMAINS THE PROPERTY OF FASCO MOTORS AND MAY NOT BE USED, COPIED OR ISSUED WITHOUT WRITTEN PERMISSION FROM FASCO MOTORS

MOTOR WEIGHT	18.4 kg.	
DRAWN	Veeranut	07/11/2018
CHECKED	Pipat	15/11/2018
RELEASED	Suksakorn	15/11/2018
SCALE	N.T.S.	

FASCO THAILAND
29/7-8 MOO 3, BANGKRUAY - SAINOI Rd.,
BANGKRANG, MUANG NONGTHABURI DISTRICT,
NONGTHABURI 11000 THAILAND

FRAME	MOTOR	
STATUS	R	
SHEET	B134:945CT-780-JAD:APAC	
	DWG. NO.	REVISION
A3	80945CPTC-B11	J