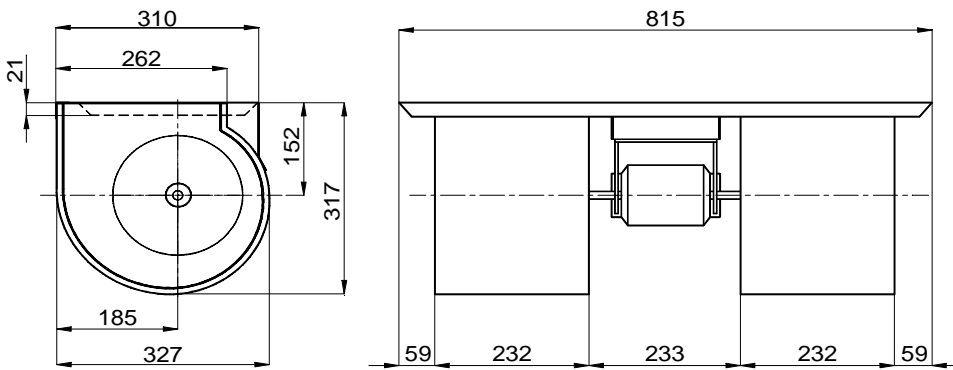


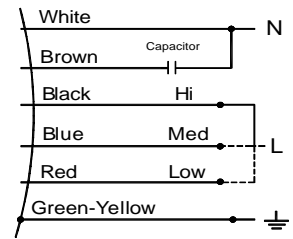
KD2 9/7T 600W 4P-1 3SF



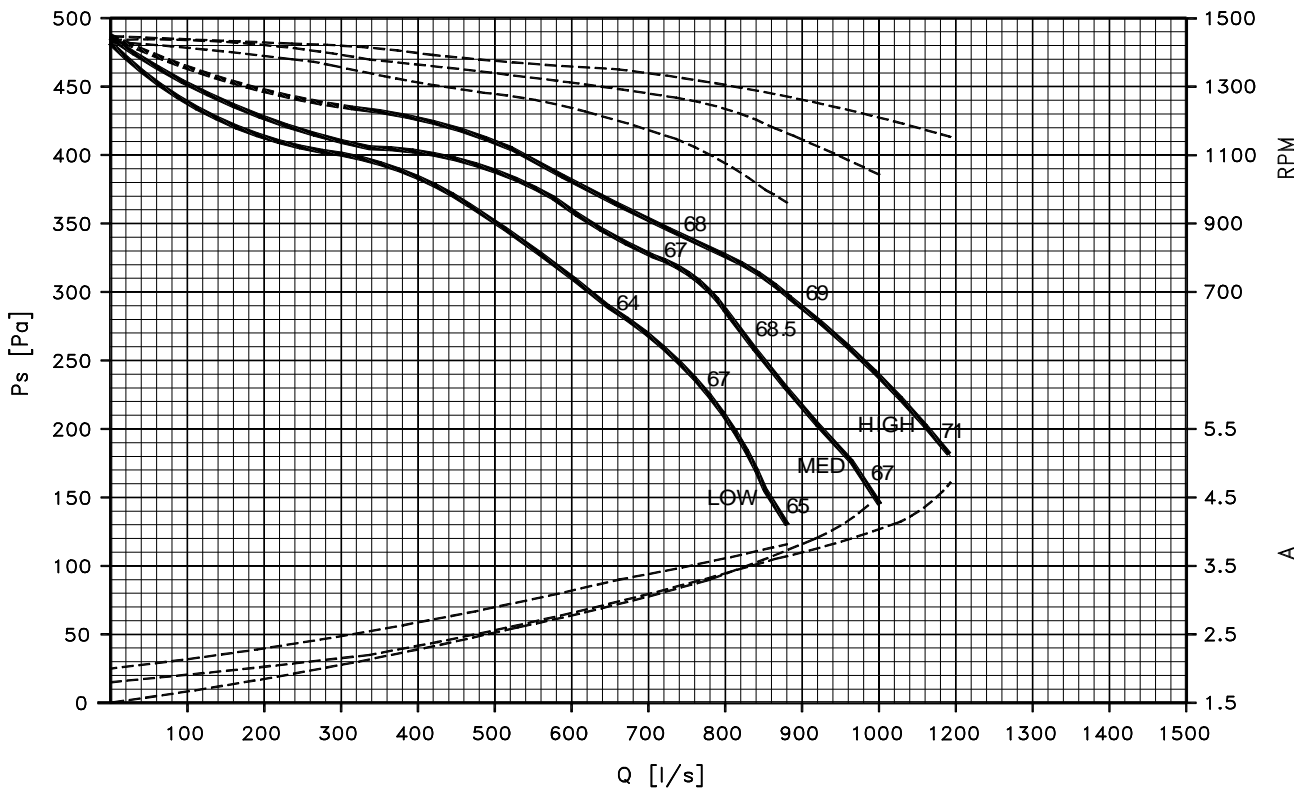
VOLT	240	Ph	1	SL.	KD29001.1		
WATT	600	Hz	50	Part No.	CE-AE1B723.00		
RPM	1350/1300/1250	Cl.	F	uF/V	16/450	Date	11/5/01
POLE	4	Temp.	min -20°C	N. Amp	4.0	Weight	26 kg
IP	20		max +40°C	M. Amp	5.2		



Wiring diagram



All Dimension in mm



* Sound Lp(A) at 1 m.